



WINDOW HANDLES – SETS – ACCESSORIES
Articles for all aspects of the window



ISSUE 2023

An overview of the entire product range of blaugelb window handles.

We care 
Social Responsibility

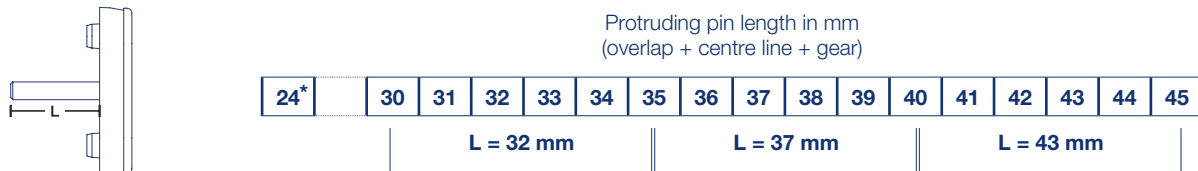
- ✓ Printed on FSC® certified paper
- ✓ Complete CO₂ compensation

WINDOW HANDLES – SETS – ACCESSORIES

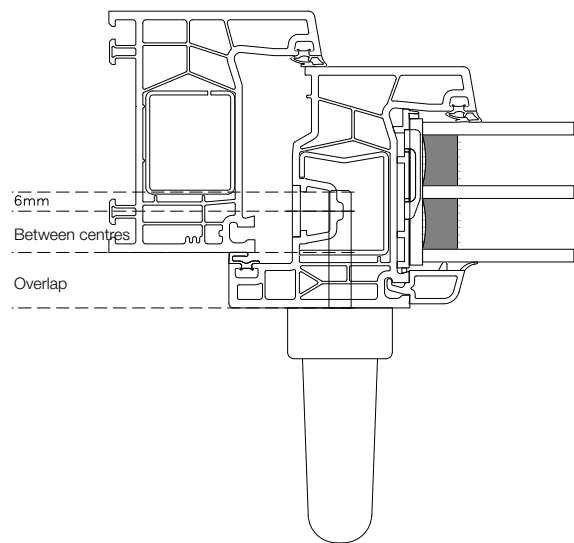
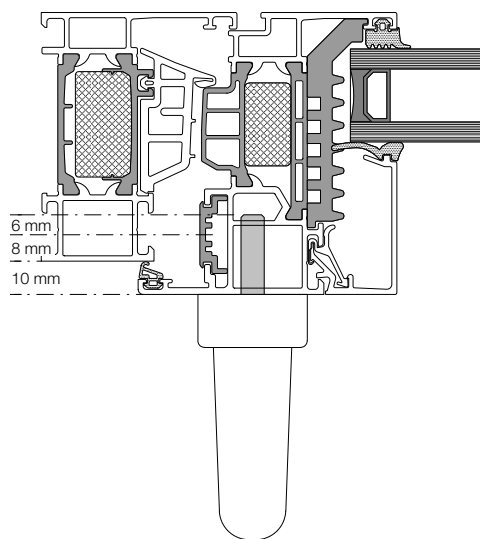
Articles for all aspects of the window

The pin length concept from blaugelb

The max. dimension when using intrusion protection, measured from the gear centre to the gear end, is 6 mm. In this configuration, the pin protrudes 2 mm beyond the end of the nut. When using the **32 mm pin** with a calculated **result of 35 mm**, the pin has a **7 mm engagement** and is set back 1 mm in the nut.



* for aluminium window



The topics covered in this brochure:

blaugelb Aluminium window handles	Page 4	blaugelb Aluminium sliding door lever handles	Page 36
blaugelb Aluminium window handles (45° detent)	Page 16	blaugelb Stainless steel sliding door lever handles	Page 40
blaugelb Stainless steel window handles	Page 20	blaugelb Pull handles	Page 45



FGS 1758



The classic model

Attractive and elegant – but without gimmicks. The **blaugelb Window Handle FGS 1758** made from aluminium always looks good and makes an impression with its quality and longevity.



FGS 1758 DK (push button)



The safety model

Additional safety thanks to the practical push button lock – the clever solution with the **blaugelb Window Handle FGS 1758 DK** where no keys are wanted or needed.



FGS 1758 lockable



The uncompromising model

The lockable version in the form of the **blaugelb Window Handle FGS 1758 lockable** guarantees quick safety at your window – without fuss or quibble but with a high level of quality.



FGS 1758 lockable RC2 and SKG



The tested models

100 Nm, 200 Nm and the RC2 or SKG*** category make a clear statement – the **blaugelb Window Handles FGS 1758 lockable RC2 and SKG** for more safety and comfort through tested quality.





FGS 1758 lockable TBT



The demanding model

The tilt-before-turn solution in combination with the added safety of the key solution leaves nothing to be desired – the **blaugelb Window Handle FGS 1758 lockable TBT**.



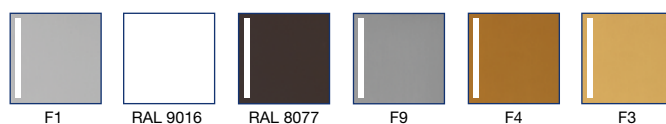
FGS 1758 BGT and NGT

The balcony solution

The **blaugelb Window Handles FGS 1758 BGT and NGT** for balcony doors are a logical complement to the range and offer the right concept even for complicated built-in solutions. Combinable – also in the colours you wish.

The colour palette

Our **blaugelb Window Handle series FGS 1758** is available with various surfaces, anodised or powder coated.



The expanded versions

In line with our **blaugelb Window Handle series FGS 1758**, we also offer the **blaugelb Lever Handle Sets DGT/NGT/KGT30/35/50** with identical handle shape in the corresponding colours.

For more information, visit www.blaugelb.de



Window Handle FGS 1758



The blaugelb Window Handle FGS 1758 made from aluminium is notable for its elegance and straight lines, and looks good on every window. The surface finish imparts the window handle with its colour and rounds off the high-quality overall impression. It is supplied complete with pre-inserted fastening for the appropriate pin length with 10 mm positioning studs.

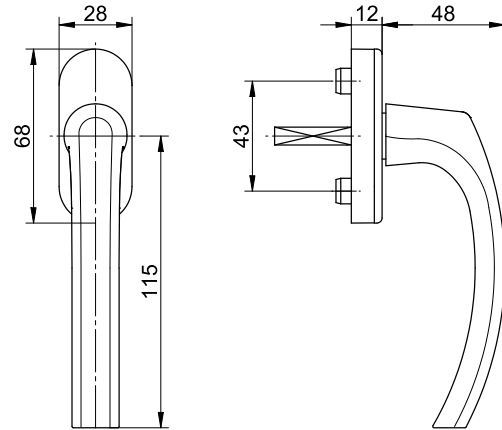
To match the Window Handle series 1758, blaugelb sets (e.g. Lever Handle Set DGT35 PZ92 white, item no. 0423941) are available in the same handle design line, in a choice of colours and versions.

Product benefits:

- High-quality, corrosion-resistant aluminium
- With powder-coated or anodised surface finish
- Attractive and elegant on the window
- Concealed fastenings thanks to pre-inserted screws

Technical data:

Material:	Aluminium
Surface:	Coated / anodised
Rosette material:	Plastic
Lock-in position:	Four-fold, 90°
Square pin:	7 mm steel
Pin lengths:	32 / 37 / 43 mm
Cam diameter:	10 mm
Rosette dimensions:	28 x 68 x 12 mm (oval)
Fastening:	2 countersunk head screws M5x40 / 45 / 50 mm galvanised
Packing unit:	100 pieces



Product name	Pin length	PU	Item no.
blaugelb Window Handle FGS 1758 RAL 9016 (powder coated white)	32 mm	100 pieces	0431557
	37 mm	100 pieces	0431560
	43 mm	100 pieces	0431561
blaugelb Window Handle FGS 1758 RAL 8077 (powder coated brown)	32 mm	100 pieces	0431562
	37 mm	100 pieces	0431563
	43 mm	100 pieces	0431564
blaugelb Window Handle FGS 1758 F1 (anodised silver)	32 mm	100 pieces	0431565
	37 mm	100 pieces	0431566
	43 mm	100 pieces	0431567
blaugelb Window Handle FGS 1758 F9 (anodised steel-colour)	32 mm	100 pieces	0431568
	37 mm	100 pieces	0431569
	43 mm	100 pieces	0431570
blaugelb Window Handle FGS 1758 F4 (anodised bronze)	32 mm	100 pieces	0431571
	37 mm	100 pieces	0431572
	43 mm	100 pieces	0431573

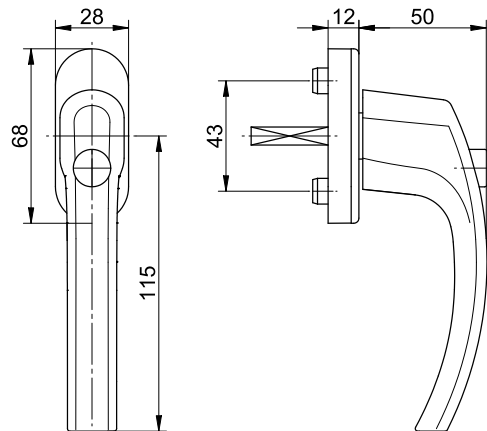
Available colours/finishes:



F1 RAL 9016 RAL 8077 F9 F4

WINDOW HANDLES – aluminium handles

Window Handle FGS 1758 DK (push button)



The blaugelb Window Handle FGS 1758 DK made from aluminium is notable for its elegance and straight lines, and looks good on every window. It is always locked in its home position and can only be turned to open the window by pressing the push button. The surface finish imparts the window handle with its colour and rounds off the high-quality overall impression. It is supplied complete with pre-inserted fastening for the appropriate pin length with 10 mm positioning studs.

To match the Window Handle series 1758, blaugelb sets (e.g. Lever Handle Set DGT35 PZ92 white, item no. 0423941) are available in the same handle design line, in a choice of colours and versions.

Product benefits:

- High-quality, corrosion-resistant aluminium
- With powder-coated or anodised surface finish
- Can only be turned by operating push button
- Attractive and elegant on the window
- Concealed fastenings thanks to pre-inserted screws

Technical data:

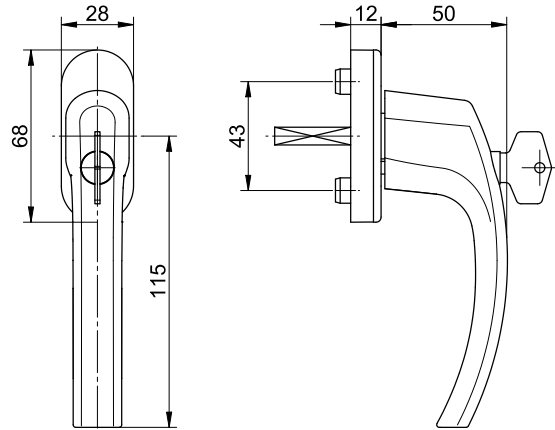
Material:	Aluminium
Surface:	Coated / anodised
Rosette material:	Plastic incl. steel reinforcement plate
Lock-in position:	Four-fold, 90°
Square pin:	7 mm steel
Pin lengths:	32 / 37 / 43 mm
Cam diameter:	10 mm
Rosette dimensions:	28 x 68 x 12 mm (oval)
Fastening:	2 countersunk head screws M5x40 / 45 / 50 mm galvanised
Packing unit:	20 pieces

Available colours/finishes:



Product name	Pin length	PU	Item no.
blaugelb Window Handle FGS 1758 DK RAL 9016 (powder coated white)	32 mm	20 pieces	0432058
	37 mm	20 pieces	0432059
	43 mm	20 pieces	0432060
blaugelb Window Handle FGS 1758 DK RAL 8077 (powder coated brown)	32 mm	20 pieces	0432061
	37 mm	20 pieces	0432062
	43 mm	20 pieces	0432063
blaugelb Window Handle FGS 1758 DK F1 (anodised silver)	32 mm	20 pieces	0432064
	37 mm	20 pieces	0432065
	43 mm	20 pieces	0432066
blaugelb Window Handle FGS 1758 DK F9 (anodised steel-colour)	32 mm	20 pieces	0432067
	37 mm	20 pieces	0432068
	43 mm	20 pieces	0432069
blaugelb Window Handle FGS 1758 DK F4 (anodised bronze)	32 mm	20 pieces	0432070
	37 mm	20 pieces	0432071
	43 mm	20 pieces	0432072

Window Handle FGS 1758 lockable



The blaugelb Window Handle FGS 1758 lockable made from aluminium is notable for its elegance and straight lines, and looks good on every window. The surface finish imparts the window handle with its colour and rounds off the high-quality overall impression. The window handle with common push cylinder is lockable. It is supplied complete with pre-inserted fastening for the appropriate pin length with 10 mm positioning studs and with one key.

To match the Window Handle series 1758, blaugelb sets (e.g. Lever Handle Set DGT35 PZ92 white, item no. 0423941) are available in the same handle design line, in a choice of colours and versions.

Product benefits:

- High-quality, corrosion-resistant aluminium
- With powder-coated or anodised surface finish
- Lockable
- Attractive and elegant on the window
- Concealed fastenings thanks to pre-inserted screws

Technical data:

Material:	Aluminium
Surface:	Coated / anodised
Rosette material:	Plastic incl. steel reinforcement plate
Lock-in position:	Four-fold, 90°
Square pin:	7 mm steel
Pin lengths:	32 / 37 / 43 mm
Cam diameter:	10 mm
Rosette dimensions:	28 x 68 x 12 mm (oval)
Fastening:	2 countersunk head screws M5x40 / 45 / 50 mm galvanised
Packing unit:	20 pieces

Available colours/finishes:



Product name	Pin length	PU	Item no.
blaugelb Window Handle FGS 1758 lockable RAL 9016 (powder coated white)	32 mm	20 pieces	0431574
	37 mm	20 pieces	0431575
	43 mm	20 pieces	0431577
blaugelb Window Handle FGS 1758 lockable RAL 8077 (powder coated brown)	32 mm	20 pieces	0431578
	37 mm	20 pieces	0431579
	43 mm	20 pieces	0431580
blaugelb Window Handle FGS 1758 lockable F1 (anodised silver)	32 mm	20 pieces	0431581
	37 mm	20 pieces	0431582
	43 mm	20 pieces	0431583
blaugelb Window Handle FGS 1758 lockable F9 (anodised steel-colour)	32 mm	20 pieces	0431584
	37 mm	20 pieces	0431585
	43 mm	20 pieces	0431586
blaugelb Window Handle FGS 1758 lockable F4 (anodised bronze)	32 mm	20 pieces	0431587
	37 mm	20 pieces	0431588
	43 mm	20 pieces	0431589

Accessories:

Product name	PU	Item no.
blaugelb Spare Key FGS 1758 lockable	1 piece	9065959

WINDOW HANDLES – aluminium handles

Window Handle FGS 1758 lockable TBT



The blaugelb Window Handle FGS 1758 lockable TBT made from aluminium is notable for its elegance and straight lines, and looks good on every window. It is equipped with a TBT (“tilt-before-turn”) function. The Window Handle FGS 1758 lockable TBT makes unauthorised opening from the inside more difficult. The special TBT technology means the handle can still be turned to the 90° position but complete opening (180° handle position) is only possible if the key is simultaneously turned. The surface finish imparts the window handle with its colour and rounds off the high-quality overall impression. The window handle with common push cylinder is lockable. It is supplied complete with pre-inserted fastening for the appropriate pin length with 10 mm positioning studs and with one key.

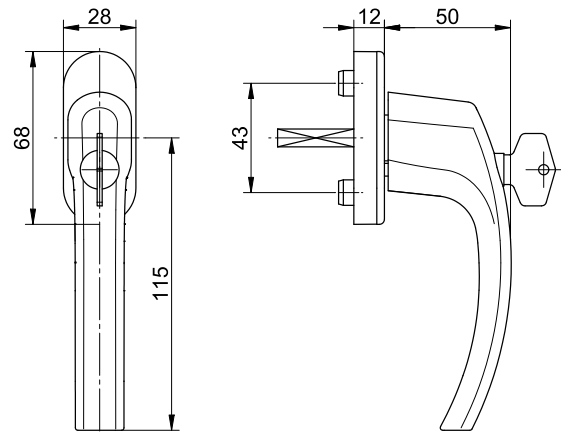
To match the Window Handle series 1758, blaugelb sets (e.g. Lever Handle Set DGT35 PZ92 white, item no. 0423941) are available in the same handle design line, in a choice of colours and versions.

Product benefits:

- High-quality, corrosion-resistant aluminium
- With powder-coated or anodised surface finish
- Lockable with TBT (“tilt-before-turn”) function
- Concealed fastenings thanks to pre-inserted screws

Technical data:

Material:	Aluminium
Surface:	Coated / anodised
Rosette material:	Plastic incl. steel reinforcement plate
Lock-in position:	Four-fold, 90°
Square pin:	7 mm steel
Pin lengths:	32 / 37 / 43 mm
Cam diameter:	10 mm
Rosette dimensions:	28 x 68 x 12 mm (oval)
Fastening:	2 countersunk head screws M5x40 / 45 / 50 mm galvanised
Packing unit:	20 pieces



Product name	Pin length	PU	Item no.
blaugelb Window Handle FGS 1758 lockable TBT RAL 9016 (powder coated white)	32 mm	20 pieces	0431637
	37 mm	20 pieces	0431640
	43 mm	20 pieces	0431642
blaugelb Window Handle FGS 1758 lockable TBT RAL 8077 (powder coated brown)	32 mm	20 pieces	0431643
	37 mm	20 pieces	0431645
	43 mm	20 pieces	0431646
blaugelb Window Handle FGS 1758 lockable TBT F1 (anodised silver)	32 mm	20 pieces	0431648
	37 mm	20 pieces	0431649
	43 mm	20 pieces	0431652
blaugelb Window Handle FGS 1758 lockable TBT F9 (anodised steel-colour)	32 mm	20 pieces	0431653
	37 mm	20 pieces	0431655
	43 mm	20 pieces	0431657
blaugelb Window Handle FGS 1758 lockable TBT F4 (anodised bronze)	32 mm	20 pieces	0431658
	37 mm	20 pieces	0431659
	43 mm	20 pieces	0431660

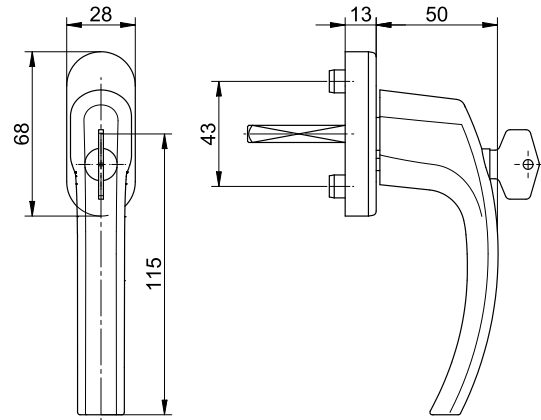
Accessories:

Product name	PU	Item no.
blaugelb Spare Key FGS 1758 lockable	1 piece	9065959

Available colours/finishes:



Window Handle FGS 1758 lockable RC2



The blaugelb Window Handle FGS 1758 lockable RC2 made from aluminium is notable for its elegance and straight lines, and looks good on every window. It is tested to the 6-level classification system RC1N – RC6 in accordance with DIN EN 1627:2011. The surface finish imparts the window handle with its colour and rounds off the high-quality overall impression. The window handle with common push cylinder is lockable. It is supplied complete with pre-inserted fastening for the appropriate pin length with 10 mm positioning studs and with one key.

To match the Window Handle series 1758, blaugelb sets (e.g. Lever Handle Set DGT35 PZ92 white, item no. 0423941) are available in the same handle design line, in a choice of colours and versions.

Product benefits:

- High-quality, corrosion-resistant aluminium
- With powder-coated or anodised surface finish
- Lockable, RC2 100 Nm
- Attractive and elegant on the window
- Concealed fastenings thanks to pre-inserted screws

Technical data:

Material:	Aluminium
Surface:	Coated / anodised
Rosette material:	Zamac (Zinc Aluminium Magnesium Copper)
Lock-in position:	Four-fold, 90°
Square pin:	7 mm steel
Pin lengths:	32 / 37 / 43 mm
Rosette dimensions:	28 x 68 x 13 mm (oval)
Tested to:	DIN 1627:2011
Fastening:	2 countersunk head screws M5x40 / 45 / 50 mm galvanised
Packing unit:	20 pieces

Available colours/finishes:



Product name	Pin length	PU	Item no.
blaugelb Window Handle FGS 1758 lockable RC2 RAL 9016 (powder coated white)	32 mm	20 pieces	0431592
	37 mm	20 pieces	0431598
	43 mm	20 pieces	0431599
blaugelb Window Handle FGS 1758 lockable RC2 RAL 8077 (powder coated brown)	32 mm	20 pieces	0431600
	37 mm	20 pieces	0431603
	43 mm	20 pieces	0431604
blaugelb Window Handle FGS 1758 lockable RC2 F1 (anodised silver)	32 mm	20 pieces	0431607
	37 mm	20 pieces	0431609
	43 mm	20 pieces	0431611
blaugelb Window Handle FGS 1758 lockable RC2 F9 (anodised steel-colour)	32 mm	20 pieces	0431612
	37 mm	20 pieces	0431613
	43 mm	20 pieces	0431614
blaugelb Window Handle FGS 1758 lockable RC2 F4 (anodised bronze)	32 mm	20 pieces	0431615
	37 mm	20 pieces	0431616
	43 mm	20 pieces	0431617

Accessories:

Product name	PU	Item no.
blaugelb Spare Key FGS 1758 lockable	1 piece	9065959

WINDOW HANDLES – aluminium handles

Window Handle FGS 1758 lockable SKG



The blaugelb Window Handle FGS 1758 lockable SKG made from aluminium is notable for its elegance and straight lines, and looks good on every window. The surface finish imparts the window handle with its colour and rounds off the high-quality overall impression. The window handle with common push cylinder is lockable and tested to SKG guidelines. It is supplied complete with pre-inserted fastening for the appropriate pin length with 10 mm positioning studs and with one key.

To match the Window Handle series 1758, blaugelb sets (e.g. Lever Handle Set DGT35 PZ92 white, item no. 0423941) are available in the same handle design line, in a choice of colours and versions.

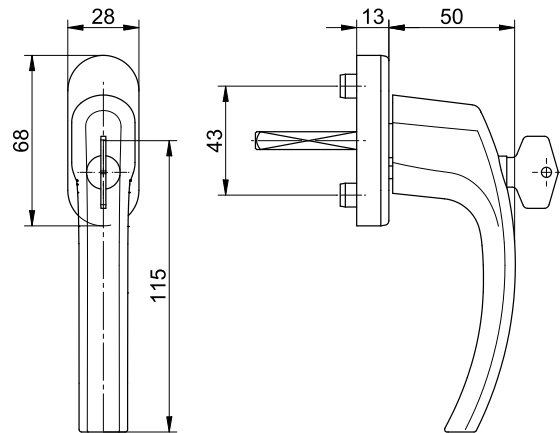
Product benefits:

- High-quality, corrosion-resistant aluminium
- With powder-coated or anodised surface finish
- Lockable, SKG-tested
- Attractive and elegant on the window
- Concealed fastenings thanks to pre-inserted screws

Technical data:

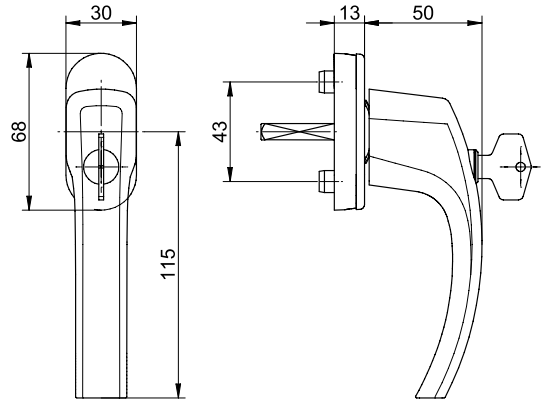
Material:	Aluminium
Surface:	Coated / anodised
Rosette material:	Zamac (Z inc A luminium M agnesium C opper)
Lock-in position:	Four-fold, 90°
Square pin:	7 mm steel
Pin lengths:	32 / 37 / 43 mm
Rosette dimensions:	28 x 68 x 13 mm (oval)
Tested:	SKG tested to 100 Nm
Fastening:	2 countersunk head screws M5x40 / 45 / 50 mm galvanised
Packing unit:	20 pieces

Available colours/finishes:



Product name	Pin length	PU	Item no.
blaugelb Window Handle FGS 1758 lockable SKG RAL 9016 (powder coated white)	32 mm	20 pieces	0431618
	37 mm	20 pieces	0431619
	43 mm	20 pieces	0431620
blaugelb Window Handle FGS 1758 lockable SKG RAL 8077 (powder coated brown)	32 mm	20 pieces	0431621
	37 mm	20 pieces	0431623
	43 mm	20 pieces	0431624
blaugelb Window Handle FGS 1758 lockable SKG F1 (anodised silver)	32 mm	20 pieces	0431625
	37 mm	20 pieces	0431626
	43 mm	20 pieces	0431627
blaugelb Window Handle FGS 1758 lockable SKG F9 (anodised steel-colour)	32 mm	20 pieces	0431628
	37 mm	20 pieces	0431630
	43 mm	20 pieces	0431631
blaugelb Window Handle FGS 1758 lockable SKG F4 (anodised bronze)	32 mm	20 pieces	0431632
	37 mm	20 pieces	0431634
	43 mm	20 pieces	0431635
Accessories:			
blaugelb Spare Key FGS 1758 lockable		1 piece	9065959

Window Handle FGS 1758 lockable 200 Nm



The blaugelb Window Handle FGS 1758 lockable 200 Nm made from aluminium is notable for its elegance and straight lines, and looks good on every window. The lockable window handle is tested according to DIN EN 13126-3 and achieves **protective effect class SK 3** at 200 Nm.

The surface finish imparts the window handle with its colour and rounds off the high-quality overall impression. The window handle with common push cylinder is lockable. It is supplied complete with pre-inserted fastening for the appropriate pin length with 10 mm positioning studs and with one key.

To match the Window Handle series 1758, blaugelb sets (e.g. Lever Handle Set DGT35 PZ92 white, item no. 0423941) are available in the same handle design line, in a choice of colours and versions.

Product benefits:

- High-quality, corrosion-resistant aluminium
- With powder-coated or anodised surface finish
- Lockable, 200 Nm (SK 3)
- Attractive and elegant on the window
- Concealed fastenings thanks to pre-inserted screws

Technical data:

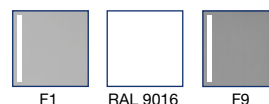
Material:	Aluminium
Surface:	Coated / anodised
Rosette material:	Zamac (Z inc A luminium M agnesium C opper)
Lock-in position:	Four-fold, 90°
Square pin:	7 mm steel
Pin lengths:	32 / 37 / 43 mm
Rosette dimensions:	30 x 68 x 13 mm (oval)
Tested to:	DIN EN 13126-3 (DIN 18267:2015-02)
Fastening:	2 countersunk head screws M5x40 / 45 / 50 mm galvanised
Packing unit:	20 pieces

Product name	Pin length	PU	Item no.
blaugelb Window Handle FGS 1758 lockable 200 Nm RAL 9016 (powder coated white)	32 mm	20 pieces	9179303
	37 mm	20 pieces	9179354
	43 mm	20 pieces	9179355
blaugelb Window Handle FGS 1758 lockable 200 Nm F1 (anodised silver)	32 mm	20 pieces	9179359
	37 mm	20 pieces	9179360
	43 mm	20 pieces	9179361
blaugelb Window Handle FGS 1758 lockable 200 Nm F9 (anodised steel-colour)	32 mm	20 pieces	9179356
	37 mm	20 pieces	9179357
	43 mm	20 pieces	9179358

Accessories:

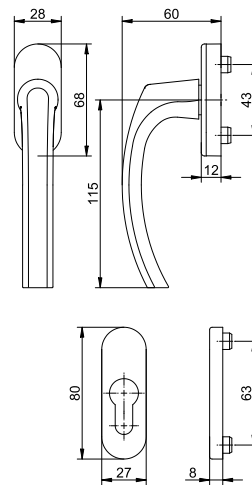
Product name	PU	Item no.
blaugelb Spare Key FGS 1758 lockable 200 Nm	1 piece	9199144

Available colours/finishes:



WINDOW HANDLES – aluminium handles

Balcony Door Handle half-set FGS 1758 ½ BGT inside



The blaugelb Balcony Door Handle half-set FGS 1758 ½ BGT inside made from aluminium perfectly complements the blaugelb Window Handle FGS 1758 on the balcony door. It is notable for its elegance and straight lines, and looks good on every balcony door. The surface finish imparts the window handle with its colour and rounds off the high-quality overall impression. The Balcony Door Handle half-set FGS 1758 ½ BGT inside is supplied without fastening; this depends on the outside set used and the thickness of the individual door, and is available separately.

To match the Window Handle series 1758, blaugelb sets (e.g. Lever Handle Set DGT35 PZ92 white, item no. 0423941) are available in the same handle design line, in a choice of colours and versions.

Product benefits:

- High-quality, corrosion-resistant aluminium
- With powder-coated or anodised surface finish
- Attractive and elegant on the balcony door
- Concealed screws

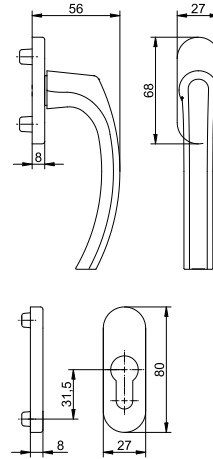
Technical data:

Material:	Aluminium
Surface:	Coated / anodised
Rosette material:	Plastic
Lock-in position:	Four-fold, 90°
Square pin:	Prepared for 7 mm
Cam diameter:	10 mm
Rosette dimensions (handle):	28 x 68 x 12 mm (oval)
PZ rosette dimensions:	27 x 80 x 8 mm (oval)
Fastening:	Not included
Packing unit:	2 pieces

Product name	PU	Item no.
blaugelb Window Handle FGS 1758 ½ BGT inside RAL 9016 (powder coated white)	2 pieces	0431661
blaugelb Window Handle FGS 1758 ½ BGT inside RAL 8077 (powder coated brown)	2 pieces	0431664
blaugelb Window Handle FGS 1758 ½ BGT inside F1 (anodised silver)	2 pieces	0431665
blaugelb Window Handle FGS 1758 ½ BGT inside F9 (anodised steel-colour)	2 pieces	0431666
blaugelb Window Handle FGS 1758 ½ BGT inside F4 (anodised bronze)	2 pieces	0431699

Available colours/finishes:

Balcony Door Handle half-set FGS 1758 ½ BGT outside



The blaugelb Balcony Door Handle half-set FGS 1758 ½ BGT outside made from aluminium perfectly complements the blaugelb Window Handle FGS 1758 on the balcony door. It is notable for its elegance and straight lines, and looks good on every balcony door. The surface finish imparts the window handle with its colour and rounds off the high-quality overall impression. The Balcony Door Handle half-set FGS 1758 ½ BGT outside is supplied without fastening; this depends on the thickness of the individual door and is available separately.

To match the Window Handle series 1758, blaugelb sets (e.g. Lever Handle Set DGT35 PZ92 white, item no. 0423941) are available in the same handle design line, in a choice of colours and versions.

Product benefits:

- High-quality, corrosion-resistant aluminium
- With powder-coated or anodised surface finish
- Attractive and elegant on the balcony door
- Concealed screws

Technical data:

Material:	Aluminium
Surface:	Coated / anodised
Rosette material:	Aluminium
Lock-in position:	Without lock-in position
Square pin:	Prepared for 7 mm
Cam diameter:	10 mm
Rosette dimensions (handle):	26 x 68 x 8 mm (oval)
PZ rosette dimensions:	27 x 80 x 8 mm (oval)
Fastening:	Not included
Packing unit:	2 pieces

Product name	PU	Item no.
blaugelb Window Handle FGS 1758 ½ BGT outside RAL 9016 (powder coated white)	2 pieces	0431700
blaugelb Window Handle FGS 1758 ½ BGT outside RAL 8077 (powder coated brown)	2 pieces	0431702
blaugelb Window Handle FGS 1758 ½ BGT outside F1 (anodised silver)	2 pieces	0431703
blaugelb Window Handle FGS 1758 ½ BGT outside F9 (anodised steel-colour)	2 pieces	0431704
blaugelb Window Handle FGS 1758 ½ BGT outside F4 (anodised bronze)	2 pieces	0431705
blaugelb FGS 1758 Fastening set BGT TS 57-62 mm 1 pin 7x120 mm, 4 screws M5x70 mm	1 piece	0431714
blaugelb FGS 1758 Fastening set BGT TS 62-67 mm 1 pin 7x125 mm, 4 screws M5x75 mm	1 piece	0431717
blaugelb FGS 1758 Fastening set BGT TS 67-72 mm 1 pin 7x130 mm, 4 screws M5x80 mm	1 piece	0431718
blaugelb FGS 1758 Fastening set BGT TS 72-77 mm 1 pin 7x135 mm, 4 screws M5x85 mm	1 piece	0431719
blaugelb FGS 1758 Fastening set BGT TS 77-82 mm 1 pin 7x140 mm, 4 screws M5x90 mm	1 piece	0431720
blaugelb FGS 1758 Fastening set BGT TS 82-87 mm 1 pin 7x145 mm, 4 screws M5x95 mm	1 piece	0431721
blaugelb FGS 1758 Fastening set BGT TS 87-92 mm 1 pin 7x150 mm, 4 screws M5x100 mm	1 piece	0431722

Available colours/finishes:



WINDOW HANDLES – aluminium handles

Roller Shutter Balcony Door Handle half-set FGS 1758 ½ NGT outside



The blaugelb Balcony Door Handle half-set FGS 1758 ½ NGT outside made from aluminium perfectly complements the blaugelb Window Handle FGS 1758 on the balcony door. It is notable for its elegance and straight lines, and looks good on every balcony door. The low lever is specially intended for balcony doors with roller shutter. The surface finish imparts the window handle with its colour and rounds off the high-quality overall impression. The Balcony Door Handle half-set FGS 1758 ½ NGT outside is supplied without fastening; this depends on the thickness of the individual door and is available separately.

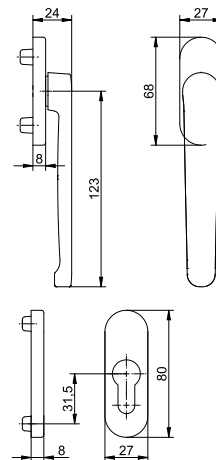
To match the Window Handle series 1758, blaugelb sets (e.g. Lever Handle Set DGT35 PZ92 white, item no. 0423941) are available in the same handle design line, in a choice of colours and versions.

Product benefits:

- High-quality, corrosion-resistant aluminium
- With powder-coated or anodised surface finish
- Extra-flat lever as solution with roller shutters on the balcony door
- Concealed screws

Technical data:

Material:	Aluminium
Surface:	Coated / anodised
Rosette material:	Aluminium
Lock-in position:	Without lock-in position
Square pin:	Prepared for 7 mm
Cam diameter:	10 mm
Rosette dimensions (handle):	26 x 68 x 8 mm (oval)
PZ rosette dimensions:	27 x 80 x 8 mm (oval)
Fastening:	Not included
Packing unit:	2 pieces



Product name	PU	Item no.
blaugelb Window Handle FGS 1758 ½ NGT outside RAL 9016 (powder coated white)	2 pieces	0431706
blaugelb Window Handle FGS 1758 ½ NGT outside RAL 8077 (powder coated brown)	2 pieces	0431707
blaugelb Window Handle FGS 1758 ½ NGT outside F1 (anodised silver)	2 pieces	0431708
blaugelb Window Handle FGS 1758 ½ NGT outside F9 (anodised steel-colour)	2 pieces	0431709
blaugelb Window Handle FGS 1758 ½ NGT outside F4 (anodised bronze)	2 pieces	0431710
blaugelb FGS 1758 Fastening set NGT TS 57-62 mm 1 pin 7x110 mm, 4 screws M5x70 mm	1 piece	0431723
blaugelb FGS 1758 Fastening set NGT TS 62-67 mm 1 pin 7x115 mm, 4 screws M5x75 mm	1 piece	0431724
blaugelb FGS 1758 Fastening set NGT TS 67-72 mm 1 pin 7x120 mm, 4 screws M5x80 mm	1 piece	0431725
blaugelb FGS 1758 Fastening set NGT TS 72-77 mm 1 pin 7x125 mm, 4 screws M5x85 mm	1 piece	0431726
blaugelb FGS 1758 Fastening set NGT TS 77-82 mm 1 pin 7x130 mm, 4 screws M5x90 mm	1 piece	0431727
blaugelb FGS 1758 Fastening set NGT TS 82-87 mm 1 pin 7x135 mm, 4 screws M5x95 mm	1 piece	0431728
blaugelb FGS 1758 Fastening set NGT TS 87-92 mm 1 pin 7x140 mm, 4 screws M5x100 mm	1 piece	0431729

Available colours/finishes:



Window Handle FGS 1758 45°



The blaugelb Window Handle FGS 1758 45° made from aluminium is notable for its elegance and straight lines, and looks good on every window. The surface finish imparts the window handle with its colour and rounds off the high-quality overall impression. It is supplied complete with pre-inserted fastening for the appropriate pin length with 10 mm positioning studs.

To match the Window Handle series 1758, blaugelb sets (e.g. Lever Handle Set DGT35 PZ92 white, item no. 0423941) are available in the same handle design line, in a choice of colours and versions.

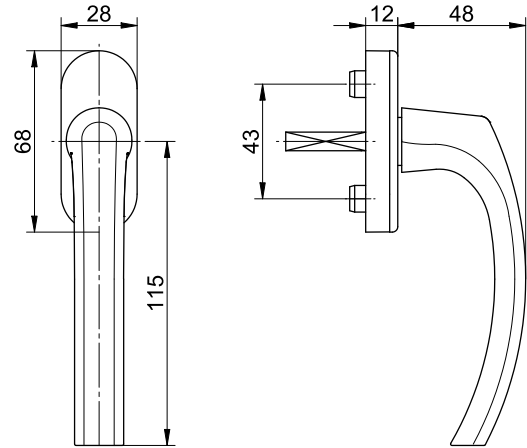
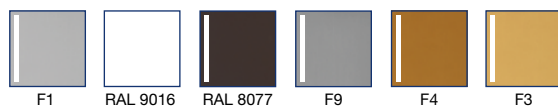
Product benefits:

- High-quality, corrosion-resistant aluminium
- With powder-coated or anodised surface finish
- Attractive and elegant on the window
- Concealed fastenings thanks to pre-inserted screws

Technical data:

Material:	Aluminium
Surface:	Coated / anodised
Rosette material:	Plastic
Lock-in position:	Eight-fold, 45°
Square pin:	7 mm steel
Pin lengths:	32 / 37 / 43 mm
Cam diameter:	10 mm
Rosette dimensions:	28 x 68 x 12 mm (oval)
Fastening:	2 countersunk head screws M5x40 / 45 / 50 mm galvanised
Packing unit:	100 pieces

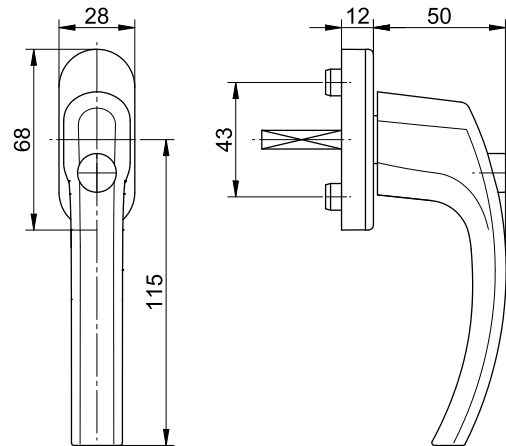
Available colours/finishes:



Product name	Pin length	PU	Item no.
blaugelb Window Handle FGS 1758 45° RAL 9016 (powder coated white)	32 mm	100 pieces	9016862
	37 mm	100 pieces	9016863
	43 mm	100 pieces	9016864
blaugelb Window Handle FGS 1758 45° RAL 8077 (powder coated brown)	32 mm	100 pieces	9016865
	37 mm	100 pieces	9016866
	43 mm	100 pieces	9016867
blaugelb Window Handle FGS 1758 45° F1 (anodised silver)	32 mm	100 pieces	9016868
	37 mm	100 pieces	9016869
	43 mm	100 pieces	9016870
blaugelb Window Handle FGS 1758 45° F9 (anodised steel-colour)	32 mm	100 pieces	9016874
	37 mm	100 pieces	9016875
	43 mm	100 pieces	9016876
blaugelb Window Handle FGS 1758 45° F4 (anodised bronze)	32 mm	100 pieces	9016877
	37 mm	100 pieces	9016878
	43 mm	100 pieces	9016879
blaugelb Window Handle FGS 1758 45° F3 (gold anodised)	32 mm	100 pieces	9016871
	37 mm	100 pieces	9016872
	43 mm	100 pieces	9016873

WINDOW HANDLES – aluminium handles (45° detent)

Window Handle FGS 1758 DK (push button) 45°



The blaugelb Window Handle FGS 1758 DK 45° made from aluminium is notable for its elegance and straight lines, and looks good on every window. It is always locked in its home position and can only be turned to open the window by pressing the push button. The surface finish imparts the window handle with its colour and rounds off the high-quality overall impression. It is supplied complete with pre-inserted fastening for the appropriate pin length with 10 mm positioning studs.

To match the Window Handle series 1758, blaugelb sets (e.g. Lever Handle Set DGT35 PZ92 white, item no. 0423941) are available in the same handle design line, in a choice of colours and versions.

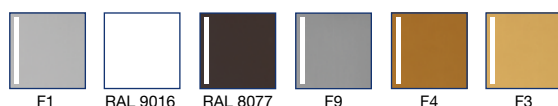
Product benefits:

- High-quality, corrosion-resistant aluminium
- With powder-coated or anodised surface finish
- Can only be turned by operating push button
- Attractive and elegant on the window
- Concealed fastenings thanks to pre-inserted screws

Technical data:

Material:	Aluminium
Surface:	Coated / anodised
Rosette material:	Plastic incl. steel reinforcement plate
Lock-in position:	Eight-fold, 45°
Square pin:	7 mm steel
Pin lengths:	32 / 37 / 43 mm
Cam diameter:	10 mm
Rosette dimensions:	28 x 68 x 12 mm (oval)
Fastening:	2 countersunk head screws M5x40 / 45 / 50 mm galvanised
Packing unit:	20 pieces

Available colours/finishes:



Product name	Pin length	PU	Item no.
blaugelb Window Handle FGS 1758 DK 45° RAL 9016 (powder coated white)	32 mm	20 pieces	9021492
	37 mm	20 pieces	9021493
	43 mm	20 pieces	9021514
blaugelb Window Handle FGS 1758 DK 45° RAL 8077 (powder coated brown)	32 mm	20 pieces	9021515
	37 mm	20 pieces	9021516
	43 mm	20 pieces	9021517
blaugelb Window Handle FGS 1758 DK 45° F1 (anodised silver)	32 mm	20 pieces	9021518
	37 mm	20 pieces	9021519
	43 mm	20 pieces	9021520
blaugelb Window Handle FGS 1758 DK 45° F9 (anodised steel-colour)	32 mm	20 pieces	9021534
	37 mm	20 pieces	9021535
	43 mm	20 pieces	9021536
blaugelb Window Handle FGS 1758 DK 45° F4 (anodised bronze)	32 mm	20 pieces	9021537
	37 mm	20 pieces	9021538
	43 mm	20 pieces	9021539
blaugelb Window Handle FGS 1758 DK 45° F3 (gold anodised)	32 mm	20 pieces	9021521
	37 mm	20 pieces	9021522
	43 mm	20 pieces	9021523

WINDOW HANDLES – aluminium handles (45° detent)

Window Handle FGS 1758 lockable 45°



The blaugelb Window Handle FGS 1758 lockable 45° made from aluminium is notable for its elegance and straight lines, and looks good on every window. The surface finish imparts the window handle with its colour and rounds off the high-quality overall impression. The window handle with common push cylinder is lockable. It is supplied complete with pre-inserted fastening for the appropriate pin length with 10 mm positioning studs and with one key.

To match the Window Handle series 1758, blaugelb sets (e.g. Lever Handle Set DGT35 PZ92 white, item no. 0423941) are available in the same handle design line, in a choice of colours and versions.

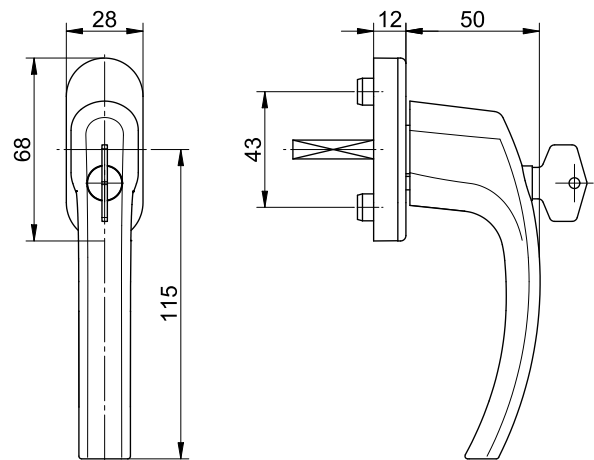
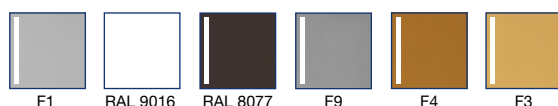
Product benefits:

- High-quality, corrosion-resistant aluminium
- With powder-coated or anodised surface finish
- Lockable
- Attractive and elegant on the window
- Concealed fastenings thanks to pre-inserted screws

Technical data:

Material:	Aluminium
Surface:	Coated / anodised
Rosette material:	Plastic incl. steel reinforcement plate
Lock-in position:	Eight-fold, 45°
Square pin:	7 mm steel
Pin lengths:	32 / 37 / 43 mm
Cam diameter:	10 mm
Rosette dimensions:	28 x 68 x 12 mm (oval)
Fastening:	2 countersunk head screws M5x40 / 45 / 50 mm galvanised
Packing unit:	20 pieces

Available colours/finishes:



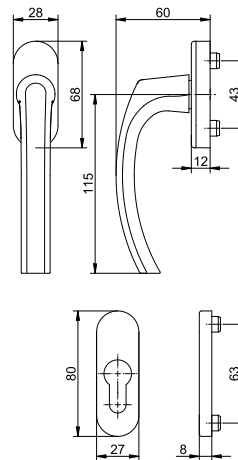
Product name	Pin length	PU	Item no.
blaugelb Window Handle FGS 1758 lockable 45° RAL 9016 (powder coated white)	32 mm	20 pieces	9021454
	37 mm	20 pieces	9021455
	43 mm	20 pieces	9021456
blaugelb Window Handle FGS 1758 lockable 45° RAL 8077 (powder coated brown)	32 mm	20 pieces	9021457
	37 mm	20 pieces	9021458
	43 mm	20 pieces	9021459
blaugelb Window Handle FGS 1758 lockable 45° F1 (anodised silver)	32 mm	20 pieces	9021460
	37 mm	20 pieces	9021461
	43 mm	20 pieces	9021462
blaugelb Window Handle FGS 1758 lockable 45° F9 (anodised steel-colour)	32 mm	20 pieces	9021486
	37 mm	20 pieces	9021487
	43 mm	20 pieces	9021488
blaugelb Window Handle FGS 1758 lockable 45° F4 (anodised bronze)	32 mm	20 pieces	9021489
	37 mm	20 pieces	9021490
	43 mm	20 pieces	9021491
blaugelb Window Handle FGS 1758 lockable 45° F3 (gold anodised)	32 mm	20 pieces	9021463
	37 mm	20 pieces	9021484
	43 mm	20 pieces	9021485

Accessories:

Product name	PU	Item no.
blaugelb Spare Key FGS 1758 lockable	1 piece	9065959

WINDOW HANDLES – aluminium handles (45° detent)

Balcony Door Handle half-set FGS 1758 ½ BGT inside 45°



The blaugelb Balcony Door Handle half-set FGS 1758 ½ BGT inside 45° made from aluminium perfectly complements the blaugelb Window Handle FGS 1758 on the balcony door. It is notable for its elegance and straight lines, and looks good on every balcony door. The surface finish imparts the window handle with its colour and rounds off the high-quality overall impression. The Balcony Door Handle half-set FGS 1758 ½ BGT inside 45° is supplied without fastening; this depends on the outside set used and the thickness of the individual door, and is available separately.

To match the Window Handle series 1758, blaugelb sets (e.g. Lever Handle Set DGT35 PZ92 white, item no. 0423941) are available in the same handle design line, in a choice of colours and versions.

Product benefits:

- High-quality, corrosion-resistant aluminium
- With powder-coated or anodised surface finish
- Attractive and elegant on the balcony door
- Concealed screws

Technical data:

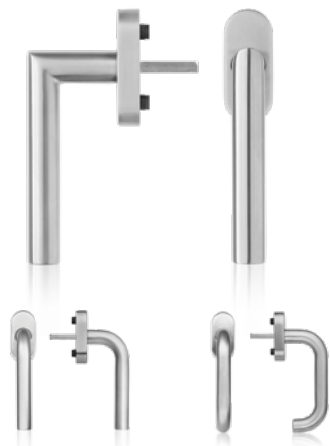
Material:	Aluminium
Surface:	Coated / anodised
Rosette material:	Plastic
Lock-in position:	Eight-fold, 45°
Square pin:	Prepared for 7 mm
Cam diameter:	10 mm
Rosette dimensions (handle):	28 x 68 x 12 mm (oval)
PZ rosette dimensions:	27 x 80 x 8 mm (oval)
Fastening:	Not included
Packing unit:	2 pieces

Product name	PU	Item no.
blaugelb Window Handle FGS 1758 ½ BGT inside 45° RAL 9016 (powder coated white)	2 pieces	9021540
blaugelb Window Handle FGS 1758 ½ BGT inside 45° RAL 8077 (powder coated brown)	2 pieces	9021541
blaugelb Window Handle FGS 1758 ½ BGT inside 45° F1 (anodised silver)	2 pieces	9021542
blaugelb Window Handle FGS 1758 ½ BGT inside 45° F9 (anodised steel-colour)	2 pieces	9021543
blaugelb Window Handle FGS 1758 ½ BGT inside 45° F4 (anodised bronze)	2 pieces	9021564

Available colours/finishes:

Matching handles for the outside:

The outside sets matching the handle (item no. 0431700 and 0431706) can be found on pages 14 and 15.



The classic models

Attractive and elegant – in the classic and popular handle shapes 90° form, U-form and L-form, these are the **blaugelb Window Handles FGS Stainless Steel**.

High-quality materials and a clever, reliable design make them a perfect and durable companion for your windows.



The tested models

200 Nm and protective effect class 3, in addition to high-quality materials and elegant shapes – these are only some of the advantages of the **blaugelb Window Handles FGS Stainless Steel lockable**.

A good feeling for added security.

Also available as **blaugelb Window Handle FGS 1758 Stainless Steel** to match the **blaugelb sets DGT/NGT/KGT30/35/50 Stainless Steel**.



The demanding models

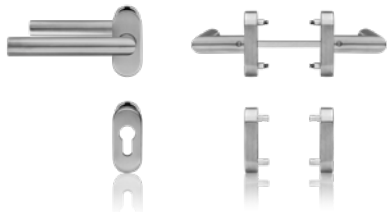
The 100 Nm tilt-before-turn solution in combination with the added safety of the solution leaves nothing to be desired – the **blaugelb Window Handle FGS 90° and U-form lockable 100 Nm TBT**.



The balcony solution

The **blaugelb Balcony Door Handle Set FGS Stainless Steel 90° form BGT and BGT/NGT** balcony door sets are a logical complement to the range and offer the right concept even for complicated built-in solutions.

The high-quality sets are notable for their elegance and straight lines, and look good on every balcony door. Available as a double set and knob handle set with low (flat) handle.



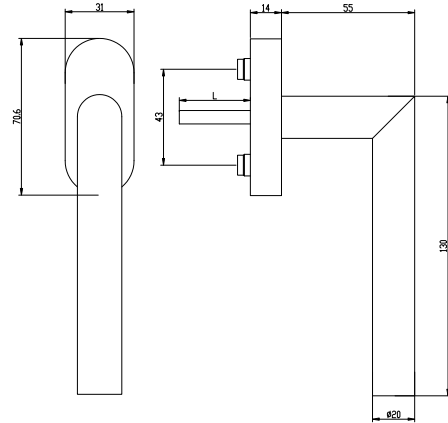
The expanded versions

To match our **blaugelb Window Handle series FGS Stainless Steel**, the **blaugelb Framed Door Handles** are available with identical handle shape in stainless steel.

For more information, visit www.blaugelb.de



Window Handle FGS 90° form



The blaugelb Window Handle FGS 90° form made from high-grade stainless steel is notable for its elegance and straight lines, and looks good on every window.

Thanks to the substructure with a precision 4-ball detent mechanism, the window handle is always perfectly positioned in relation to the rosette and completes the high-quality overall impression. The window handle is supplied complete with pre-inserted fastening for the appropriate pin length and cam sleeve rings 10/12 mm.

Product benefits:

- High-grade materials for durability
- 4-ball substructure for precision detent
- Attractive and elegant on the window
- Concealed screws

Technical data:

Material:	Stainless steel material No. 1.4301
Surface:	Fine matt
Lock-in position:	Four-fold, 90°
Square pin:	7 mm steel
Pin lengths:	24 / 32 / 37 / 43 mm
Cam diameter:	10 mm (10/12 mm sleeves)
Rosette dimensions:	31 x 70.6 x 14 mm (oval)
Fastening:	2 countersunk head screws M5x30 / 40 / 45 / 50 mm galvanised
Packing unit:	20 pieces

Product name	PU	Item no.
blaugelb FGS Stainless Steel 90° form 10/24 M5x30	20 pieces	9071127
blaugelb FGS Stainless Steel 90° form 10/32 M5x40	20 pieces	0430310
blaugelb FGS Stainless Steel 90° form 10/37 M5x45	20 pieces	0430375
blaugelb FGS Stainless Steel 90° form 10/43 M5x50	20 pieces	0430376

WINDOW HANDLES – stainless steel handles

Window Handle FGS 90° form lockable 100 Nm



The blaugelb Window Handle FGS 90° form lockable 100 Nm made from high-grade stainless steel is notable for its elegance and straight lines, and looks good on every window.

The lockable window handle is tested according to DIN EN 13126:2012 and achieves protective effect class SK 2 at 100 Nm. The push cylinder is simultaneous-locking and is integrated into the handle.

Thanks to the metal substructure with a concealed precision 4-ball detent mechanism, the window handle is always perfectly positioned in relation to the rosette and completes the high-quality overall impression. The screw connections are concealed and the clip-on trim rosette is in a matching finish to the handle surface.

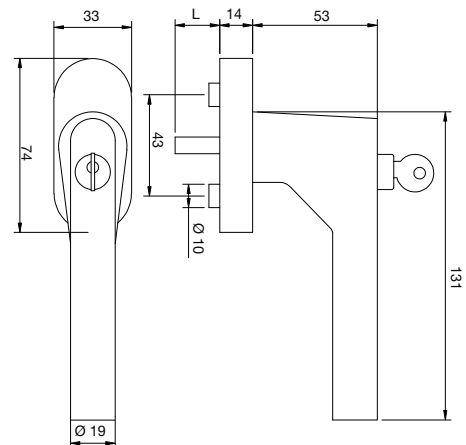
The blaugelb Window Handle FGS 90° form lockable 100 Nm is supplied complete with fastening for the appropriate pin length and two keys.

Product benefits:

- High-grade materials for durability
- Lockable 100 Nm
- 4-ball substructure for precision detent
- Attractive and elegant on the window
- Concealed screws

Technical data:

Material:	Stainless steel material No. 1.4301
Surface:	Fine matt
Rosette material:	Metal
Lock-in position:	Four-fold, 90°
Square pin:	7 mm steel
Pin lengths:	32 / 37 / 43 mm
Cam diameter:	10 mm
Rosette dimensions:	33 x 74 x 14 mm (oval)
Tested to:	DIN EN 13126-3:2012, 100 Nm (SK2)
Fastening:	2 countersunk head screws M5x45 / 50 / 55 mm galvanised
Packing unit:	30 pieces



Product name	PU	Item no.
blaugelb FGS Stainless Steel 90° form lockable 100 Nm 10/32	30 pieces	9016509
blaugelb FGS Stainless Steel 90° form lockable 100 Nm 10/37	30 pieces	9016510
blaugelb FGS Stainless Steel 90° form lockable 100 Nm 10/43	30 pieces	9016511

Accessories:

Product name	PU	Item no.
blaugelb Spare Key FGS Stainless Steel lockable	1 piece	9075949

Window Handle FGS 90° form lockable 200 Nm



The blaugelb Window Handle FGS 90° form lockable 200 Nm made from high-grade stainless steel is notable for its elegance and straight lines, and looks good on every window.

The lockable window handle is tested according to DIN EN 13126:2012 and achieves protective effect class SK 3 at 200 Nm. The push cylinder is simultaneous-locking and is integrated into the handle.

Thanks to the metal substructure with a concealed precision 4-ball detent mechanism, the window handle is always perfectly positioned in relation to the rosette and completes the high-quality overall impression. The screw connections are concealed and the clip-on trim rosette is in a matching finish to the handle surface.

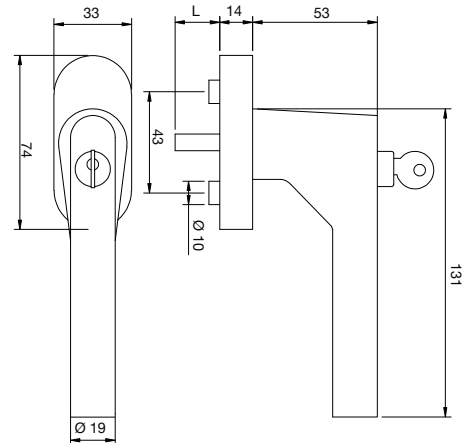
The blaugelb Window Handle FGS 90° form lockable 200 Nm is supplied complete with fastening for the appropriate pin length and two keys.

Product benefits:

- High-grade materials for durability
- Lockable 200 Nm (SK 3)
- 4-ball substructure for precision detent
- Attractive and elegant on the window
- Concealed screws

Technical data:

Material:	Stainless steel material No. 1.4301
Surface:	Fine matt
Rosette material:	Metal
Lock-in position:	Four-fold, 90°
Square pin:	7 mm steel
Pin lengths:	32 / 37 / 43 mm
Cam diameter:	10 mm
Rosette dimensions:	33 x 74 x 14 mm (oval)
Tested to:	DIN EN 13126-3:2011, 200 Nm (SK 3)
Fastening:	2 countersunk head screws M5x45 / 50 / 55 mm galvanised
Packing unit:	30 pieces



Product name	PU	Item no.
blaugelb FGS Stainless Steel 90° form lockable 200 Nm 10/32	30 pieces	9067769
blaugelb FGS Stainless Steel 90° form lockable 200 Nm 10/37	30 pieces	9067770
blaugelb FGS Stainless Steel 90° form lockable 200 Nm 10/43	30 pieces	9067771

Accessories:

Product name	PU	Item no.
blaugelb Spare Key FGS Stainless Steel lockable	1 piece	9075949

WINDOW HANDLES – stainless steel handles

Window Handle FGS 90° form lockable 100 Nm TBT



The blaugelb Window Handle FGS 90° form lockable 100 Nm TBT made from stainless steel is notable for its elegance and straight lines, and looks good on every window. It is equipped with a TBT (“tilt-before-turn”) function. The Window Handle FGS 90° form lockable 100 Nm TBT makes unauthorised opening from the inside more difficult. The special TBT technology means the handle can still be turned to the 90° position but complete opening (180° handle position) is only possible if the key is simultaneously turned. The lockable window handle is tested according to DIN EN 13126:2012 and achieves protective effect class SK 2 at 100 Nm. The push cylinder is simultaneous-locking and is integrated into the handle.

Thanks to the metal substructure with a concealed precision 4-ball detent mechanism, the window handle is always perfectly positioned in relation to the rosette and completes the high-quality overall impression. The screw connections are concealed and the clip-on trim rosette is in a matching finish to the handle surface.

The blaugelb Window Handle FGS 90° form lockable 100 Nm TBT is supplied complete with fastening for the appropriate pin length and two keys.

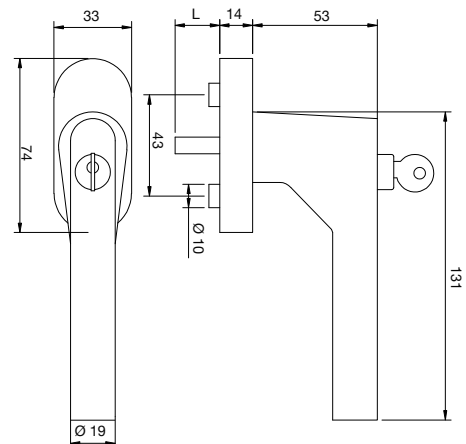
Product benefits:

- High-grade materials for durability
- Lockable with TBT (“tilt-before-turn”) function, 100 Nm (SK 2)
- 4-ball substructure for precision detent
- Attractive and elegant on the window
- Concealed fastenings thanks to pre-inserted screws

Technical data:

Material:	Stainless steel material No. 1.4301
Surface:	Fine matt
Rosette material:	Metal
Lock-in position:	Four-fold, 90°
Square pin:	7 mm steel
Pin lengths:	32 / 37 / 43 mm
Cam diameter:	10 mm
Rosette dimensions:	33 x 74 x 14 mm (oval)

Tested to:	DIN EN 13126-3:2012, 100 Nm (SK2)
Fastening:	2 countersunk head screws M5x45 / 50 / 55 mm galvanised
Packing unit:	30 pieces



Product name	PU	Item no.
blaugelb FGS Stainless Steel 90° form lockable 100 Nm TBT 10/32	30 pieces	9067825
blaugelb FGS Stainless Steel 90° form lockable 100 Nm TBT 10/37	30 pieces	9067826
blaugelb FGS Stainless Steel 90° form lockable 100 Nm TBT 10/43	30 pieces	9067827

Accessories:

Product name	PU	Item no.
blaugelb Spare Key FGS Stainless Steel lockable	1 piece	9075949

TBT function:



Window Handle FGS U-form



The blaugelb Window Handle FGS U-form made from high-grade stainless steel is notable for its elegance and straight lines, and looks good on every window.

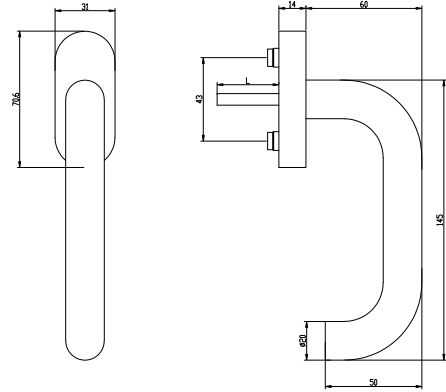
Thanks to the substructure with a precision 4-ball detent mechanism, the window handle is always perfectly positioned in relation to the rosette and completes the high-quality overall impression. The window handle is supplied complete with pre-inserted fastening for the appropriate pin length and cam sleeve rings 10/12 mm.

Product benefits:

- High-grade materials for durability
- 4-ball substructure for precision detent
- Attractive and elegant on the window
- Concealed screws

Technical data:

Material:	Stainless steel material No. 1.4301
Surface:	Fine matt
Lock-in position:	Four-fold, 90°
Square pin:	7 mm steel
Pin lengths:	32 / 37 / 43 mm
Cam diameter:	10 mm (10/12 mm sleeves)
Rosette dimensions:	31 x 70.6 x 14 mm (oval)
Fastening:	2 countersunk head screws M5x40 / 45 / 50 mm galvanised
Packing unit:	20 pieces



Product name	PU	Item no.
blaugelb FGS Stainless Steel U-form 10/32 M5x40	20 pieces	0431538
blaugelb FGS Stainless Steel U-form 10/37 M5x45	20 pieces	0431539
blaugelb FGS Stainless Steel U-form 10/43 M5x50	20 pieces	0431540

WINDOW HANDLES – stainless steel handles

Window Handle FGS U-form lockable 100 Nm



The blaugelb Window Handle FGS U-form lockable 100 Nm made from high-grade stainless steel is notable for its elegance and straight lines, and looks good on every window.

The lockable window handle is tested according to DIN EN 13126:2012 and achieves protective effect class SK 2 at 100 Nm. The push cylinder is simultaneous-locking and is integrated into the handle.

Thanks to the metal substructure with a concealed precision 4-ball detent mechanism, the window handle is always perfectly positioned in relation to the rosette and completes the high-quality overall impression. The screw connections are concealed and the clip-on trim rosette is in a matching finish to the handle surface.

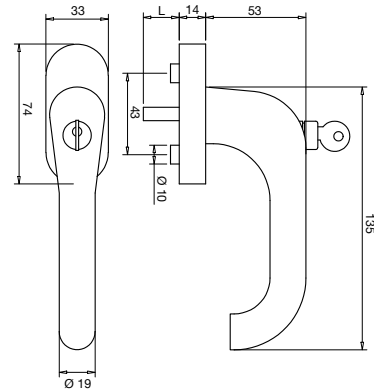
The blaugelb Window Handle FGS U-form lockable 100 Nm is supplied complete with fastening for the appropriate pin length and two keys.

Product benefits:

- High-grade materials for durability
- Lockable 100 Nm
- 4-ball substructure for precision detent
- Attractive and elegant on the window
- Concealed screws

Technical data:

Material:	Stainless steel material No. 1.4301
Surface:	Fine matt
Rosette material:	Metal
Lock-in position:	Four-fold, 90°
Square pin:	7 mm steel
Pin lengths:	32 / 37 / 43 mm
Cam diameter:	10 mm
Rosette dimensions:	33 x 74 x 14 mm (oval)
Tested to:	DIN EN 13126-3:2012, 100 Nm (SK2)
Fastening:	2 countersunk head screws M5x45 / 50 / 55 mm galvanised
Packing unit:	30 pieces



Product name	PU	Item no.
blaugelb FGS Stainless Steel U-form lockable 100 Nm 10/32	30 pieces	9016506
blaugelb FGS Stainless Steel U-form lockable 100 Nm 10/37	30 pieces	9016507
blaugelb FGS Stainless Steel U-form lockable 100 Nm 10/43	30 pieces	9016508

Accessories:

Product name	PU	Item no.
blaugelb Spare Key FGS Stainless Steel lockable	1 piece	9075949

Window Handle FGS U-form lockable 200 Nm



The blaugelb Window Handle FGS U-form lockable 200 Nm made from high-grade stainless steel is notable for its elegance and straight lines, and looks good on every window.

The lockable window handle is tested according to DIN EN 13126:2012 and achieves protective effect class SK 3 at 200 Nm. The push cylinder is simultaneous-locking and is integrated into the handle.

Thanks to the metal substructure with a concealed precision 4-ball detent mechanism, the window handle is always perfectly positioned in relation to the rosette and completes the high-quality overall impression. The screw connections are concealed and the clip-on trim rosette is in a matching finish to the handle surface.

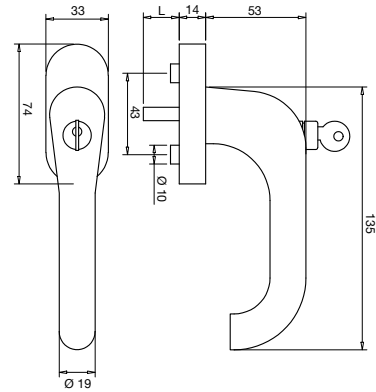
The blaugelb Window Handle FGS U-form lockable 200 Nm is supplied complete with fastening for the appropriate pin length and two keys.

Product benefits:

- High-grade materials for durability
- Lockable 200 Nm (SK 3)
- 4-ball substructure for precision detent
- Attractive and elegant on the window
- Concealed screws

Technical data:

Material:	Stainless steel material No. 1.4301
Surface:	Fine matt
Rosette material:	Metal
Lock-in position:	Four-fold, 90°
Square pin:	7 mm steel
Pin lengths:	32 / 37 / 43 mm
Cam diameter:	10 mm
Rosette dimensions:	33 x 74 x 14 mm (oval)
Tested to:	DIN EN 13126-3:2011, 200 Nm (SK 3)
Fastening:	2 countersunk head screws M5x45 / 50 / 55 mm galvanised
Packing unit:	30 pieces



Product name	PU	Item no.
blaugelb FGS Stainless Steel U-form lockable 200 Nm 10/32	30 pieces	9067772
blaugelb FGS Stainless Steel U-form lockable 200 Nm 10/37	30 pieces	9067773
blaugelb FGS Stainless Steel U-form lockable 200 Nm 10/43	30 pieces	9067824

Accessories:

Product name	PU	Item no.
blaugelb Spare Key FGS Stainless Steel lockable	1 piece	9075949

WINDOW HANDLES – stainless steel handles

Window Handle FGS U-form lockable 100 Nm TBT



The blaugelb Window Handle FGS U-form lockable 100 Nm TBT made from stainless steel is notable for its elegance and straight lines, and looks good on every window. It is equipped with a TBT (“tilt-before-turn”) function. The Window Handle FGS U-form lockable 100 Nm TBT makes unauthorised opening from the inside more difficult. The special TBT technology means the handle can still be turned to the 90° position but complete opening (180° handle position) is only possible if the key is simultaneously turned. The lockable window handle is tested according to DIN EN 13126:2012 and achieves protective effect class SK 2 at 100 Nm. The push cylinder is simultaneous-locking and is integrated into the handle.

Thanks to the metal substructure with a concealed precision 4-ball detent mechanism, the window handle is always perfectly positioned in relation to the rosette and completes the high-quality overall impression. The screw connections are concealed and the clip-on trim rosette is in a matching finish to the handle surface.

The blaugelb Window Handle FGS U-form lockable 100 Nm TBT is supplied complete with fastening for the appropriate pin length and two keys.

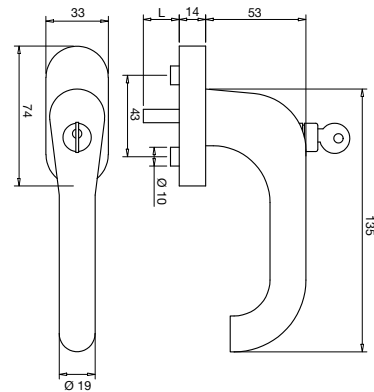
Product benefits:

- High-grade materials for durability
- Lockable with TBT (“tilt-before-turn”) function, 100 Nm (SK 2)
- 4-ball substructure for precision detent
- Attractive and elegant on the window
- Concealed fastenings thanks to pre-inserted screws

Technical data:

Material:	Stainless steel material No. 1.4301
Surface:	Fine matt
Rosette material:	Metal
Lock-in position:	Four-fold, 90°
Square pin:	7 mm steel
Pin lengths:	32 / 37 / 43 mm
Cam diameter:	10 mm
Rosette dimensions:	33 x 74 x 14 mm (oval)
Tested to:	DIN EN 13126-3:2011, 100 Nm (SK 2)

Fastening:	2 countersunk head screws M5x45 / 50 / 55 mm galvanised
Packing unit:	30 pieces



Product name	PU	Item no.
blaugelb FGS Stainless Steel U-form lockable 100 Nm TBT 10/32	30 pieces	9067828
blaugelb FGS Stainless Steel U-form lockable 100 Nm TBT 10/37	30 pieces	9067829
blaugelb FGS Stainless Steel U-form lockable 100 Nm TBT 10/43	30 pieces	9067830

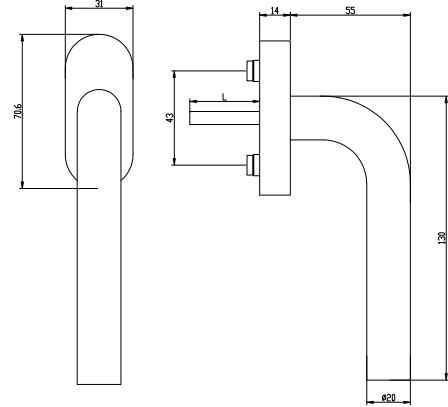
Accessories:

Product name	PU	Item no.
blaugelb Spare Key FGS Stainless Steel lockable	1 piece	9075949

TBT function:



Window Handle FGS L-form



The blaugelb Window Handle FGS L-form made from high-grade stainless steel is notable for its elegance and straight lines, and looks good on every window.

Thanks to the substructure with a precision 4-ball detent mechanism, the window handle is always perfectly positioned in relation to the rosette and completes the high-quality overall impression. The window handle is supplied complete with pre-inserted fastening for the appropriate pin length and cam sleeve rings 10/12 mm.

Product benefits:

- High-grade materials for durability
- 4-ball substructure for precision detent
- Attractive and elegant on the window
- Concealed screws

Technical data:

Material:	Stainless steel material No. 1.4301
Surface:	Fine matt
Lock-in position:	Four-fold, 90°
Square pin:	7 mm steel
Pin lengths:	32 / 37 / 43 mm
Cam diameter:	10 mm (10/12 mm sleeves)
Rosette dimensions:	31 x 70.6 x 14 mm (oval)
Fastening:	2 countersunk head screws M5x40 / 45 / 50 mm galvanised
Packing unit:	20 pieces

Product name	PU	Item no.
blaugelb FGS Stainless Steel L-form 10/32 M5x40	20 pieces	0431532
blaugelb FGS Stainless Steel L-form 10/37 M5x45	20 pieces	0431534
blaugelb FGS Stainless Steel L-form 10/43 M5x50	20 pieces	0431536

WINDOW HANDLES – stainless steel handles

Window Handle FGS L-form lockable 100 Nm



The blaugelb Window Handle FGS L-form lockable 100 Nm made from high-grade stainless steel is notable for its elegance and straight lines, and looks good on every window.

The lockable window handle is tested according to DIN EN 13126:2012 and achieves protective effect class SK 2 at 100 Nm. The push cylinder is simultaneous-locking and is integrated into the handle.

Thanks to the metal substructure with a concealed precision 4-ball detent mechanism, the window handle is always perfectly positioned in relation to the rosette and completes the high-quality overall impression. The screw connections are concealed and the clip-on trim rosette is in a matching finish to the handle surface.

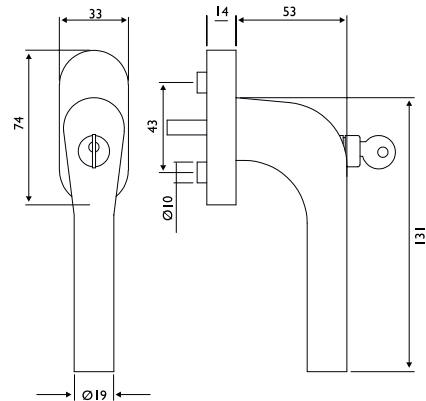
The blaugelb Window Handle FGS L-form lockable 100 Nm is supplied complete with fastening for the appropriate pin length and two keys.

Product benefits:

- High-grade materials for durability
- Lockable 100 Nm
- 4-ball substructure for precision detent
- Attractive and elegant on the window
- Concealed screws

Technical data:

Material:	Stainless steel material No. 1.4301
Surface:	Fine matt
Rosette material:	Metal
Lock-in position:	Four-fold, 90°
Square pin:	7 mm steel
Pin lengths:	32 / 37 / 43 mm
Cam diameter:	10 mm
Rosette dimensions:	33 x 74 x 14 mm (oval)
Tested to:	DIN EN 13126-3:2012, 100 Nm (SK2)
Fastening:	2 countersunk head screws M5x45 / 50 / 55 mm galvanised
Packing unit:	30 pieces



Product name	PU	Item no.
blaugelb FGS Stainless Steel L-form lockable 100 Nm 10/32	30 pieces	9022869
blaugelb FGS Stainless Steel L-form lockable 100 Nm 10/37	30 pieces	9022870
blaugelb FGS Stainless Steel L-form lockable 100 Nm 10/43	30 pieces	9022871

Accessories:

Product name	PU	Item no.
blaugelb Spare Key FGS Stainless Steel lockable	1 piece	9075949

Window Handle FGS 1758 lockable 100 Nm



The blaugelb Window Handle FGS 1758.ER lockable 100 Nm made from high-grade stainless steel is notable for its elegance and straight lines, and looks good on every window.

The lockable window handle is tested according to DIN EN 13126:2012 and achieves protective effect class SK 2 at 100 Nm. The push cylinder is simultaneous-locking and is integrated into the handle.

Thanks to the metal substructure with a concealed precision 4-ball detent mechanism, the window handle is always perfectly positioned in relation to the rosette and completes the high-quality overall impression. The screw connections are concealed and the clip-on trim rosette is in a matching finish to the handle surface.

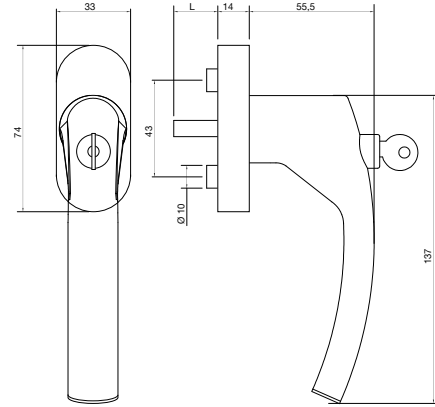
The blaugelb Window Handle FGS 1758.ER lockable 100 Nm is supplied complete with fastening for the appropriate pin length and two keys.

Product benefits:

- High-grade materials for durability
- Lockable 100 Nm
- 4-ball substructure for precision detent
- Attractive and elegant on the window
- Concealed screws

Technical data:

Material:	Stainless steel material No. 1.4301
Surface:	Fine matt
Rosette material:	Metal
Lock-in position:	Four-fold, 90°
Square pin:	7 mm steel
Pin lengths:	32 / 37 / 43 mm
Cam diameter:	10 mm
Rosette dimensions:	33 x 74 x 14 mm (oval)
Tested to:	DIN EN 13126-3:2012, 100 Nm (SK2)
Fastening:	2 countersunk head screws M5x45 / 50 / 55 mm galvanised
Packing unit:	20 pieces

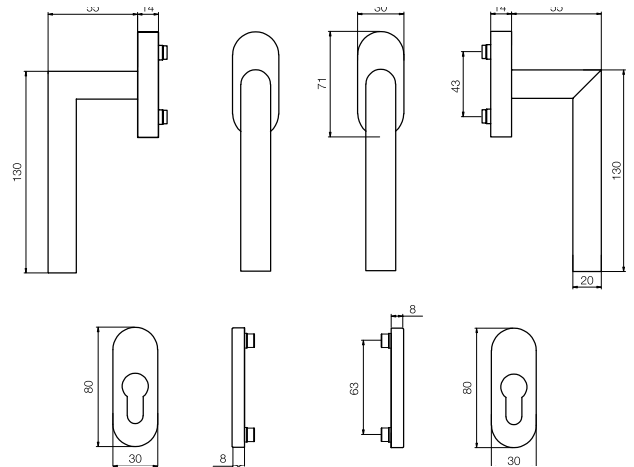
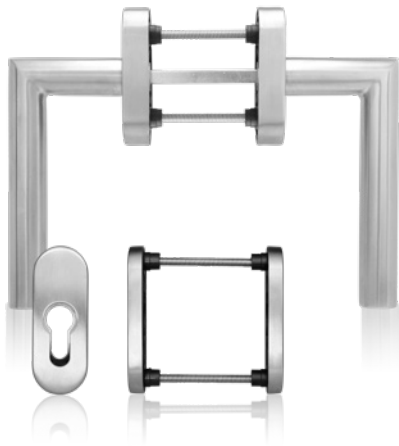


Product name	PU	Item no.
blaugelb FGS Stainless Steel 1758.ER lockable 100 Nm 10/32	20 pieces	9016512
blaugelb FGS Stainless Steel 1758.ER lockable 100 Nm 10/37	20 pieces	9016513
blaugelb FGS Stainless Steel 1758.ER lockable 100 Nm 10/43	20 pieces	9016514

Accessories:

Product name	PU	Item no.
blaugelb Spare Key FGS Stainless Steel lockable	1 piece	9075949

WINDOW HANDLES – stainless steel handles

Balcony Door Handle Set FGS Stainless Steel
90° form BGT

The blaugelb Balcony Door Handle Set FGS Stainless Steel 90° form BGT made from stainless steel perfectly complements the blaugelb Window Handle FGS 90° form on the balcony door. It is notable for its elegance and straight lines, and looks good on every balcony door.

Thanks to the substructure with a precision 4-ball detent mechanism, the balcony door handle set is always perfectly positioned in relation to the rosette and completes the high-quality overall impression. The Balcony Door Handle Set FGS Stainless Steel 90° form is supplied with the fastenings for door thickness TS 73-93.

Product benefits:

- High-grade stainless steel material for long life
- 4-ball substructure for precision detent
- Attractive and elegant on the balcony door
- Concealed screws

Technical data:

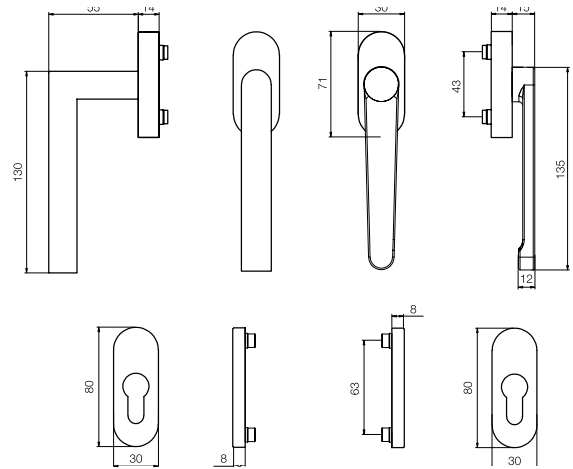
Material:	Stainless steel no. 1.4301
Surface:	Fine matt
Rosette material:	Stainless steel
Lock-in position:	Four-fold, 90°
Square pin:	7 mm
Cam diameter:	10 mm
Rosette dimensions (handle):	30 x 71 x 14 mm (oval)
PZ rosette dimensions:	30 x 80 x 8 mm (oval)
Fastening:	Includes accessory set TS 73-93 mm
Packing unit:	1 set

Product name**PU****Item no.**

blaugelb Balcony Door Handle Set FGS Stainless Steel 90° form BGT 1 set

9081659

Balcony Door Handle Set FGS Stainless Steel 90° form BGT/NGT



The blaugelb Balcony Door Handle Set FGS Stainless Steel 90° form BGT/NGT made from stainless steel perfectly complements the blaugelb Window Handle FGS 90° form on the balcony door. It is notable for its elegance and straight lines, and looks good on every balcony door. The low (flat) lever is specially designed for exterior doors with roller shutters, sun protection, blinds and insect screens.

Thanks to the substructure with a precision 4-ball detent mechanism, the balcony door handle set is always perfectly positioned in relation to the rosette and completes the high-quality overall impression. The Balcony Door Handle Set FGS Stainless Steel 90° form is supplied with the fastenings for door thickness TS 67 – 76 or TS 77 – 88.

Product benefits:

- High-grade stainless steel material for long life
- 4-ball substructure for precision detent
- Attractive and elegant on the balcony door
- Concealed screws

Technical data:

Material:	Stainless steel no. 1.4301
Surface:	Fine matt
Rosette material:	Stainless steel
Lock-in position:	Four-fold, 90°
Square pin:	7 mm
Cam diameter:	10 mm (incl. slip-on rings 12 mm)
Rosette dimensions (handle):	30 x 71 x 14 mm (oval)
PZ rosette dimensions:	30 x 80 x 8 mm (oval)
Fastening:	Includes accessory set TS 67 – 76 or 77 – 88 mm
Packing unit:	1 set

Product name

PU

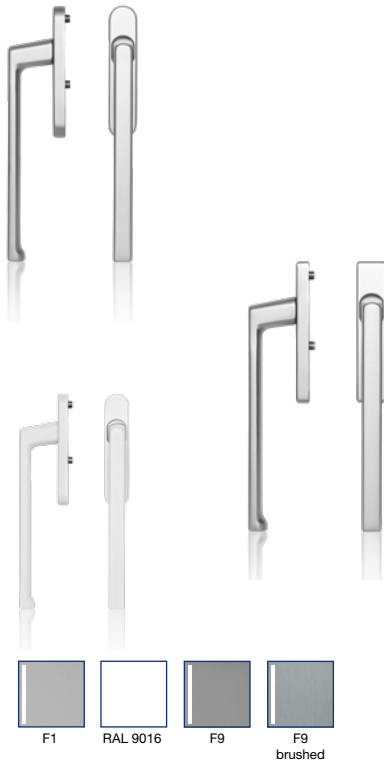
Item no.

blaugelb Balcony Door Handle Set
FGS Stainless Steel 90° form BGT/NGT

1 set

9128323

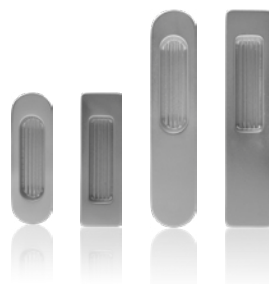
An overview of blaugelb Sliding Door Lever Handles made from aluminium and stainless steel



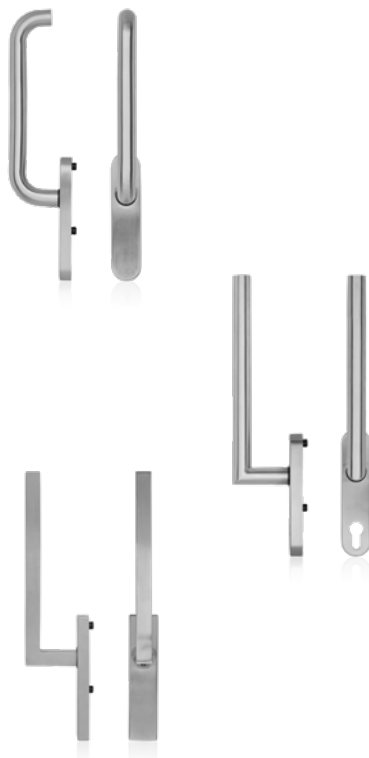
The lifting/sliding door solution made from aluminium

The **blaugelb Sliding Door Lever Handles HSG 1040 and 1050** are a logical supplement to the existing window handle range and offer the highest ease of use.

In four colours and with a modern surface finish, the blaugelb Sliding Door Lever Handles are also impressive across the board with regard to their feel.



Suitable as a supplement to the respective handles, our range includes an alternative for the outside – namely the **blaugelb Sliding Door Flush Pulls** in the oval and cornered versions, as well as the long version.



The lifting/sliding door solution made from stainless steel

The **blaugelb Sliding Door Lever Handles HSG 1000/1010/1020/1030** are a logical complement to the range and offer the right concept even for complicated built-in solutions.

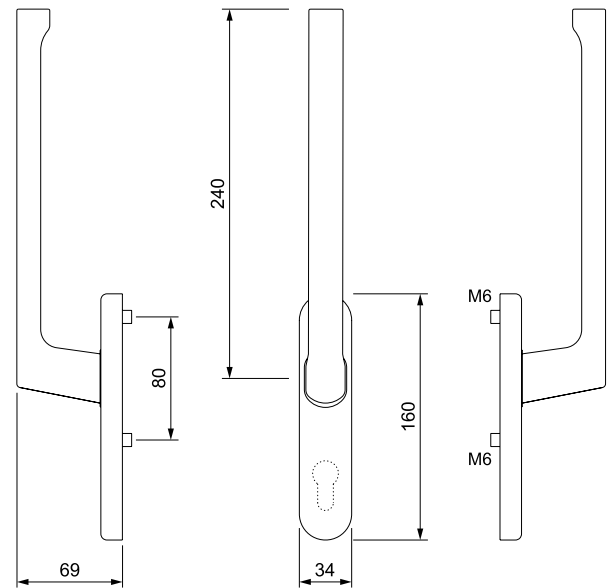
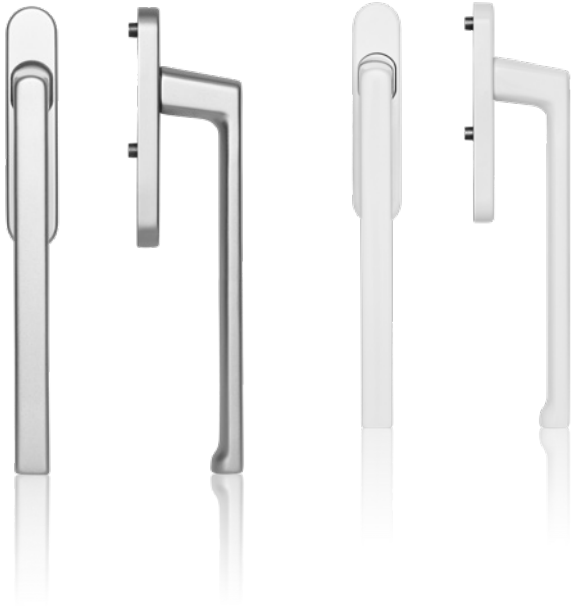
In modern and classic forms, with precise positioning on the lifting/sliding door, the **blaugelb Sliding Door Lever Handles HSG** present themselves as a superior and durable solution for the inside and outside of the sliding door.



Suitable as a supplement to the respective handles, our range includes an alternative for the outside – namely the **blaugelb Sliding Door Flush Pulls** in the oval and cornered versions.

SLIDING DOOR LEVER HANDLES – handles made from aluminium

Sliding Door Lever Handles HSG 1040



The blaugelb Sliding Door Lever Handles HSG 1040 AL made from aluminium are notable for their elegance and straight lines, and look good on every door. The straight lines of the 90° form emphasise the modern credentials of the handle series. The blaugelb Sliding Door Lever Handles HSG 1040 AL are available in a variety of versions for interior and exterior use, and are also suitable for increased security aspects with the use of profile cylinders. The substructure has a precision double detent mechanism and enhances the overall impression of high quality. The handles are supplied with the appropriate fastenings* for door thicknesses of 60 – 70 mm.

Product benefits:

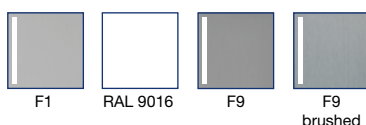
- High-grade materials for durability
- Lever mounted fixed/pivoting
- Attractive and elegant on window and balcony doors
- Concealed screws

Technical data:

Material:	Aluminium
Surface:	Coated
Lock-in position:	Two-fold, 180° ball catch
Handle mounting:	Fixed/pivoting
Square pin:	2x 10 x 95 mm steel with and without radius, loose
Cam diameter:	10/12 mm
Rosette dimensions:	34 x 160 x 14.5 mm
Fastening:	2 countersunk head screws M6x80 mm*
Packing unit:	1 piece

*Except version HSG 1040 AL outside PZ; M6 threaded cams for screw connection with an inside handle (scope of supply 2x pins, 2x sleeves 10/12, 2x M6x80 screws and Allen key)

Available colours/finishes:



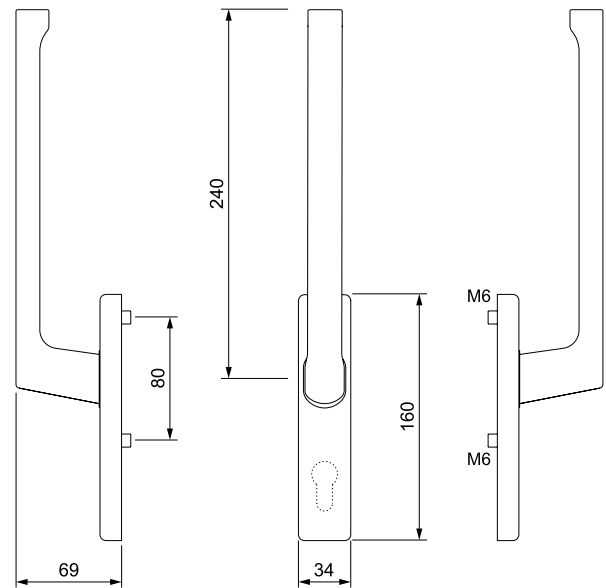
Product name	Version	PU	Item no.
blaugelb Sliding Door Lever Handle HSG 1040 AL white RAL 9016	Without perforations	1 piece	9071099
blaugelb Sliding Door Lever Handle HSG 1040 AL silver F1	Without perforations	1 piece	9071100
blaugelb Sliding Door Lever Handle HSG 1040 AL outside steel-coloured F9	Without perforations	1 piece	9071101
blaugelb Sliding Door Lever Handle HSG 1040 AL outside steel-coloured F9 brushed	Without perforations	1 piece	9071663
blaugelb Sliding Door Lever Handle HSG 1040 AL PZ white RAL 9016	Profile cylinder	1 piece	9071102
blaugelb Sliding Door Lever Handle HSG 1040 AL PZ silver F1	Profile cylinder	1 piece	9071103
blaugelb Sliding Door Lever Handle HSG 1040 AL PZ steel-coloured F9	Profile cylinder	1 piece	9071104
blaugelb Sliding Door Lever Handle HSG 1040 AL PZ steel-coloured F9 brushed	Profile cylinder	1 piece	9071674
blaugelb Sliding Door Lever Handle HSG 1040 AL outside PZ white RAL 9016	Profile cylinder*	1 piece	9071111
blaugelb Sliding Door Lever Handle HSG 1040 AL outside PZ silver F1	Profile cylinder*	1 piece	9071112
blaugelb Sliding Door Lever Handle HSG 1040 AL outside PZ steel-coloured F9	Profile cylinder*	1 piece	9071113
blaugelb Sliding Door Lever Handle HSG 1040 AL outside PZ steel-coloured F9 brushed	Profile cylinder*	1 piece	9071677

Accessories:

Product name	PU	Item no.
Fastening set TS 70 – 80 Square pin 10x160 mm, M6x90	1 piece	9016528
Fastening set TS 81 – 90 Square pin 10x160 mm, M6x95	1 piece	9016529
Fastening set TS 91 – 100 Square pin 10x160 mm, M6x110	1 piece	9016530
Fastening set TS 101 – 110 Square pin 10x180 mm, M6x120	1 piece	9016531

SLIDING DOOR LEVER HANDLES – handles made from aluminium

Sliding Door Lever Handles HSG 1050



The blaugelb Sliding Door Lever Handles HSG 1050 AL made from aluminium are notable for their elegance and straight lines, and look good on every door. The straight lines of the 90° form emphasise the modern credentials of the handle series. The blaugelb Sliding Door Lever Handles HSG 1050 AL are available in a variety of versions for interior and exterior use, and are also suitable for increased security aspects with the use of profile cylinders. The substructure has a precision double detent mechanism and enhances the overall impression of high quality. The handles are supplied with the appropriate fastenings* for door thicknesses of 60 – 70 mm.

Product benefits:

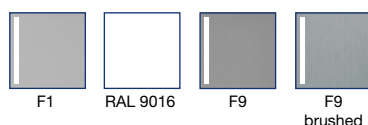
- High-grade materials for durability
- Lever mounted fixed/pivoting
- Attractive and elegant on window and balcony doors
- Concealed screws

Technical data:

Material:	Aluminium
Surface:	Coated
Lock-in position:	Two-fold, 180° ball catch
Handle mounting:	Fixed/pivoting
Square pin:	2x 10 x 95 mm steel with and without radius, loose
Cam diameter:	10/12 mm
Rosette dimensions:	34 x 160 x 14.5 mm
Fastening:	2 countersunk head screws M6x80 mm*
Packing unit:	1 piece

*Except version HSG 1050 AL outside PZ; M6 threaded cams for screw connection with an inside handle (scope of supply 2x pins, 2x sleeves 10/12, 2x M6x80 screws and Allen key)

Available colours/finishes:



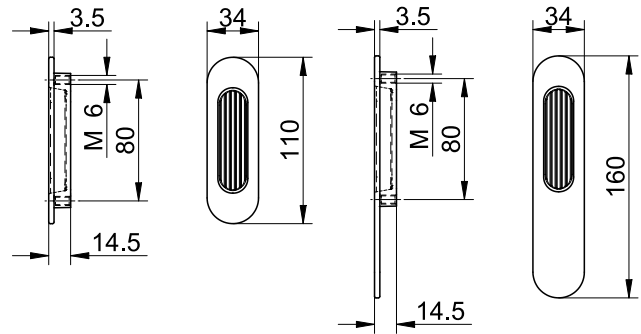
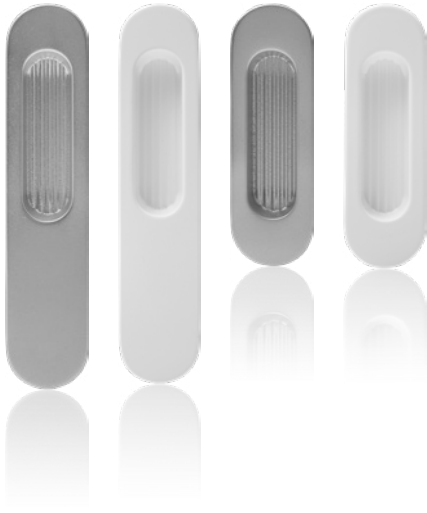
Product name	Version	PU	Item no.
blaugelb Sliding Door Lever Handle HSG 1050 AL white RAL 9016	Without perforations	1 piece	9071105
blaugelb Sliding Door Lever Handle HSG 1050 AL silver F1	Without perforations	1 piece	9071106
blaugelb Sliding Door Lever Handle HSG 1050 AL steel-coloured F9	Without perforations	1 piece	9071107
blaugelb Sliding Door Lever Handle HSG 1050 AL steel-coloured F9 brushed	Without perforations	1 piece	9071675
blaugelb Sliding Door Lever Handle HSG 1050 AL PZ white RAL 9016	Profile cylinder	1 piece	9071108
blaugelb Sliding Door Lever Handle HSG 1050 AL PZ silver F1	Profile cylinder	1 piece	9071109
blaugelb Sliding Door Lever Handle HSG 1050 AL PZ steel-coloured F9	Profile cylinder	1 piece	9071110
blaugelb Sliding Door Lever Handle HSG 1050 AL PZ steel-coloured F9 brushed	Profile cylinder	1 piece	9071676
blaugelb Sliding Door Lever Handle HSG 1050 AL outside PZ white RAL 9016	Profile cylinder*	1 piece	9071114
blaugelb Sliding Door Lever Handle HSG 1050 AL outside PZ silver F1	Profile cylinder*	1 piece	9071115
blaugelb Sliding Door Lever Handle HSG 1050 AL outside PZ steel-coloured F9	Profile cylinder*	1 piece	9071116
blaugelb Sliding Door Lever Handle HSG 1050 AL outside PZ steel-coloured F9 brushed	Profile cylinder*	1 piece	9071678

Accessories:

Product name	PU	Item no.
Fastening set TS 70 – 80 Square pin 10x160 mm, M6x90	1 piece	9016528
Fastening set TS 81 – 90 Square pin 10x160 mm, M6x95	1 piece	9016529
Fastening set TS 91 – 100 Square pin 10x160 mm, M6x110	1 piece	9016530
Fastening set TS 101 – 110 Square pin 10x180 mm, M6x120	1 piece	9016531

SLIDING DOOR LEVER HANDLES – flush pulls made from aluminium

Sliding Door Flush Pull outside, oval AL



The blaugelb Sliding Door Flush Pull outside, oval AL made from aluminium is the perfect addition to the blaugelb Sliding Door Lever Handle HSG. The design with concealed screw fastening in pairs maintains the high-quality overall impression of the handle. The durable-design handle is fitted on the outside of the lifting/sliding door elements, for ease of opening and closing the elements when blaugelb Sliding Door Lever Handle HSG on the inside is open.

The blaugelb Sliding Door Flush Pull outside, oval AL matches the sliding door lever handles of the HSG series 1040/1050 without perforation.

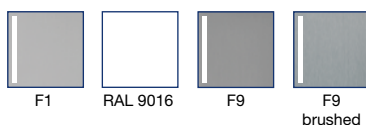
Product benefits:

- High-grade materials for durability
- For screw fastening to sliding door lever handles in pairs
- Attractive and elegant on window and balcony doors
- Concealed screws

Technical data:

Material:	Aluminium
Surface:	Coated
Dimensions:	110 x 34 x 14.5 or 160 x 34 x 14.5 mm
Fastening:	Concealed screw connection with sliding door lever handle
Packing unit:	1 piece

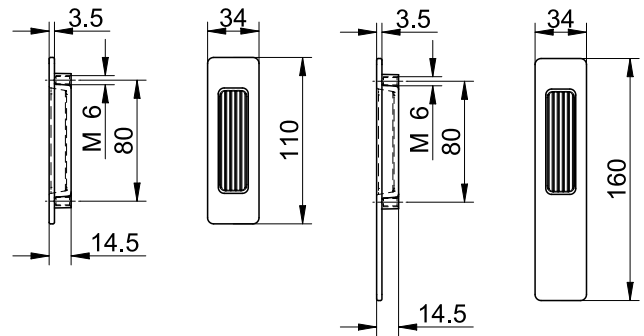
Available colours/finishes:



Product name	PU	Item no.
blaugelb Sliding Door Flush Pull oval 110x34 mm white RAL 9016	1 piece	9071117
blaugelb Sliding Door Flush Pull oval 110x34 mm silver F1	1 piece	9071118
blaugelb Sliding Door Flush Pull oval 110x34 mm steel-coloured F9	1 piece	9071119
blaugelb Sliding Door Flush Pull oval 110x34 mm steel-coloured F9 brushed	1 piece	9071679
blaugelb Sliding Door Flush Pull oval 160x34 mm white RAL 9016	1 piece	9071979
blaugelb Sliding Door Flush Pull oval 160x34 mm silver F1	1 piece	9071980
blaugelb Sliding Door Flush Pull oval 160x34 mm steel-coloured F9	1 piece	9071981
blaugelb Sliding Door Flush Pull oval 160x34 mm steel-coloured F9 brushed	1 piece	9072195

SLIDING DOOR LEVER HANDLES – flush pulls made from aluminium

Sliding Door Flush Pull outside, cornered AL



The blaugelb Sliding Door Flush Pull outside, cornered AL made from aluminium is the perfect addition to the blaugelb Sliding Door Lever Handle HSG. The design with concealed screw fastening in pairs maintains the high-quality, modern overall impression of the handle. The durable-design handle is fitted on the outside of the lifting/sliding door elements, for ease of opening and closing the elements when blaugelb Sliding Door Lever Handle HSG on the inside is open.

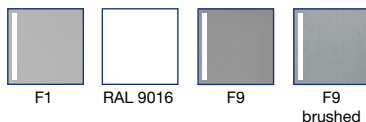
The blaugelb Sliding Door Flush Pull cornered matches the sliding door lever handles of the HSG series 1040/1050 without perforation.

Product benefits:

- High-grade materials for durability
- For screw fastening to sliding door lever handles in pairs
- Attractive and elegant on window and balcony doors
- Concealed screws

Technical data:

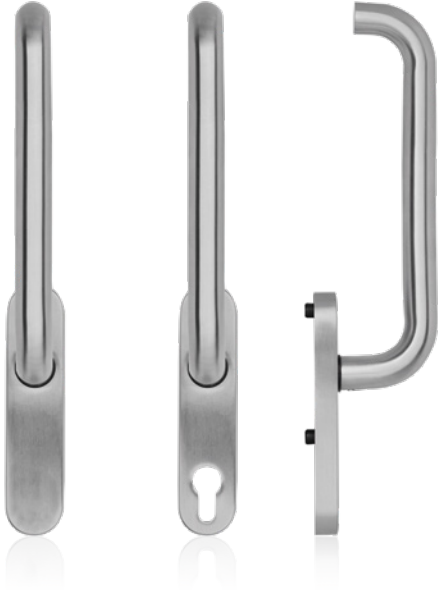
Material:	Aluminium
Surface:	Coated
Dimensions:	110 x 34 x 14.5 or 160 x 34 x 14.5 mm
Fastening:	Concealed screw connection with sliding door lever handle
Packing unit:	1 piece

Available colours/finishes:

Product name	PU	Item no.
blaugelb Sliding Door Flush Pull cornered 110x34 mm white RAL 9016	1 piece	9071120
blaugelb Sliding Door Flush Pull cornered 110x34 mm silver F1	1 piece	9071121
blaugelb Sliding Door Flush Pull cornered 110x34 mm steel-coloured F9	1 piece	9071122
blaugelb Sliding Door Flush Pull cornered 110x34 mm steel-coloured F9 brushed	1 piece	9071680
blaugelb Sliding Door Flush Pull cornered 160x34 mm white RAL 9016	1 piece	9071982
blaugelb Sliding Door Flush Pull cornered 160x34 mm silver F1	1 piece	9071983
blaugelb Sliding Door Flush Pull cornered 160x34 mm steel-coloured F9	1 piece	9072194
blaugelb Sliding Door Flush Pull cornered 160x34 mm steel-coloured F9 brushed	1 piece	9072196

SLIDING DOOR LEVER HANDLES – handles made from stainless steel

Sliding Door Lever Handles HSG 1000



The blaugelb Sliding Door Lever Handles HSG 1000 made from high-grade stainless steel are notable for their elegance and straight lines, and look good on every door. The soft lines combined with the cool effect of the stainless steel give the handles special flair. The blaugelb Sliding Door Lever Handles HSG 1000 are available in a variety of versions for interior and exterior use, and are also suitable for increased security aspects with the use of profile cylinders. The substructure has a precision double detent mechanism and enhances the overall impression of high quality. The handles are supplied with the appropriate fastenings* for door thicknesses of 60 – 70 mm.

Product benefits:

- High-grade materials for durability
- Lever mounted fixed/pivoting
- Attractive and elegant on window and balcony doors
- Concealed screws

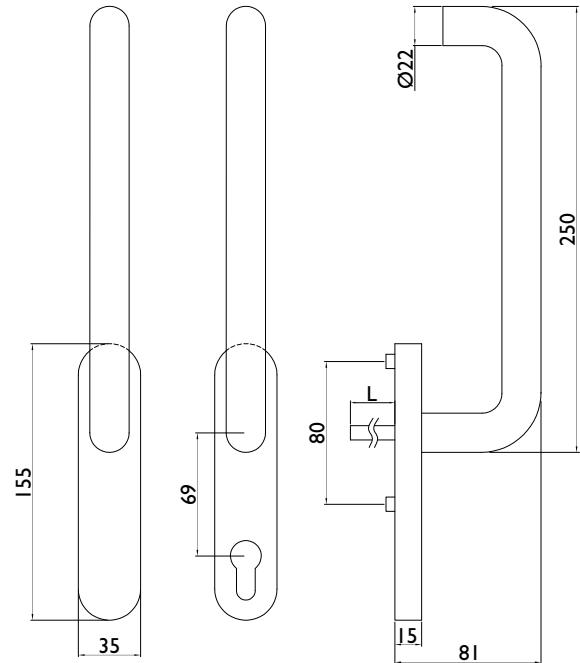
Technical data:

Material:	Stainless steel material No. 1.4301
Surface:	Fine matt
Lock-in position:	Two-fold, 180°
Handle mounting:	Fixed/pivoting
Square pin:	10 x 95 mm steel, loose
Cam diameter:	10 mm
Rosette dimensions:	35 x 155 x 15 mm
Fastening:	2 countersunk head screws M6x80 mm*
Packing unit:	1 piece

*Except version HSG 1000 outside PZ; M6 threaded cams for screw connection with an inside handle (supplied **without** pin and screws)

Without perforations

Profile cylinder



Product name	Version	PU	Item no.
blaugelb Sliding Door Lever Handle HSG 1000 fine matt stainless steel	Without perforations	1 piece	9016515
blaugelb Sliding Door Lever Handle HSG 1000 PZ fine matt stainless steel	Profile cylinder	1 piece	9016516
blaugelb Sliding Door Lever Handle HSG 1000 outside PZ fine matt stainless steel	Profile cylinder*	1 piece	9016517

Accessories:

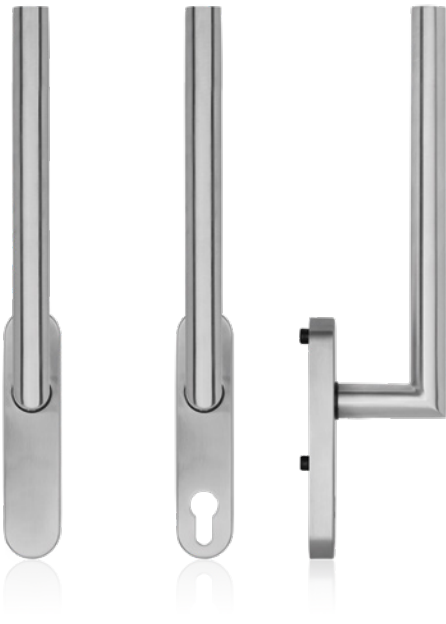
Product name	PU	Item no.
Fastening set TS 70 – 80 Square pin 10x160 mm, M6x90	1 piece	9016528
Fastening set TS 81 – 90 Square pin 10x160 mm, M6x95	1 piece	9016529
Fastening set TS 91 – 100 Square pin 10x160 mm, M6x110	1 piece	9016530
Fastening set TS 101 – 110 Square pin 10x180 mm, M6x120	1 piece	9016531

Matching handles for the outside:

Product name	PU	Item no.
blaugelb Sliding Door Flush Pull oval Fine matt stainless steel	1 piece	9016526
blaugelb Sliding Door Flush Pull cornered Fine matt stainless steel	1 piece	9016527

SLIDING DOOR LEVER HANDLES – handles made from stainless steel

Sliding Door Lever Handles HSG 1010



The blaugelb Sliding Door Lever Handles HSG 1010 made from high-grade stainless steel are notable for their elegance and straight lines, and look good on every door. The straight lines of the 90° form emphasise the modern credentials of the handle series. The blaugelb Sliding Door Lever Handles HSG 1010 are available in a variety of versions for interior and exterior use, and are also suitable for increased security aspects with the use of profile cylinders. The substructure has a precision double detent mechanism and enhances the overall impression of high quality. The handles are supplied with the appropriate fastenings* for door thicknesses of 60 – 70 mm.

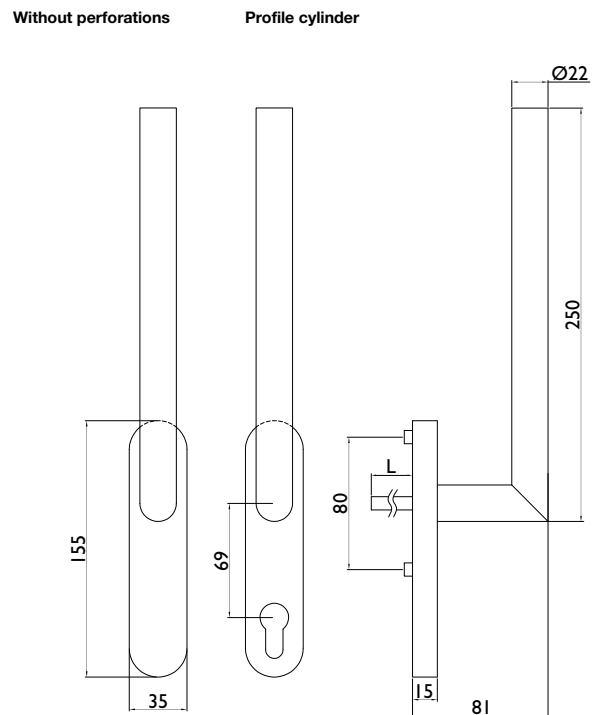
Product benefits:

- High-grade materials for durability
- Lever mounted fixed/pivoting
- Attractive and elegant on window and balcony doors
- Concealed screws

Technical data:

Material:	Stainless steel material No. 1.4301
Surface:	Fine matt
Lock-in position:	Two-fold, 180°
Handle mounting:	Fixed/pivoting
Square pin:	10 x 95 mm steel, loose
Cam diameter:	10 mm
Rosette dimensions:	35 x 155 x 15 mm
Fastening:	2 countersunk head screws M6x80 mm*
Packing unit:	1 piece

*Except version HSG 1010 outside PZ; M6 threaded cams for screw connection with an inside handle (supplied **without** pin and screws)



Product name	Version	PU	Item no.
blaugelb Sliding Door Lever Handle HSG 1010 fine matt stainless steel	Without perforations	1 piece	9016518
blaugelb Sliding Door Lever Handle HSG 1010 PZ fine matt stainless steel	Profile cylinder	1 piece	9016519
blaugelb Sliding Door Lever Handle HSG 1010 outside PZ fine matt stainless steel	Profile cylinder*	1 piece	9016520

Accessories:

Product name	PU	Item no.
Fastening set TS 70 – 80 Square pin 10x160 mm, M6x90	1 piece	9016528
Fastening set TS 81 – 90 Square pin 10x160 mm, M6x95	1 piece	9016529
Fastening set TS 91 – 100 Square pin 10x160 mm, M6x110	1 piece	9016530
Fastening set TS 101 – 110 Square pin 10x180 mm, M6x120	1 piece	9016531

Matching handles for the outside:

Product name	PU	Item no.
blaugelb Sliding Door Flush Pull oval Fine matt stainless steel	1 piece	9016526
blaugelb Sliding Door Flush Pull cornered Fine matt stainless steel	1 piece	9016527

SLIDING DOOR LEVER HANDLES – handles made from stainless steel

Sliding Door Lever Handles HSG 1020



The blaugelb Sliding Door Lever Handles HSG 1020 made from high-grade stainless steel are notable for their elegance and straight lines, and look good on every door. The straight lines of the 90° form emphasise the modern credentials of the handle series. The blaugelb Sliding Door Lever Handles HSG 1020 are available in a variety of versions for interior and exterior use, and are also suitable for increased security aspects with the use of profile cylinders. The substructure has a precision double detent mechanism and enhances the overall impression of high quality. The handles are supplied with the appropriate fastenings* for door thicknesses of 60 – 70 mm.

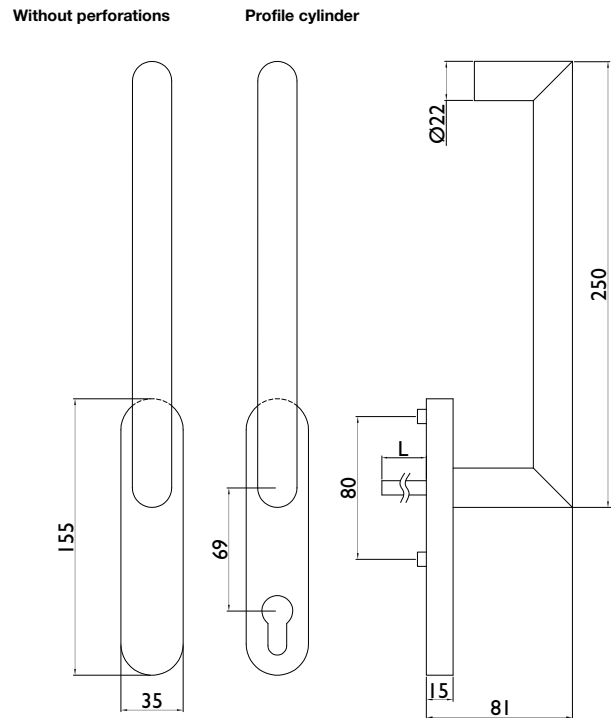
Product benefits:

- High-grade materials for durability
- Lever mounted fixed/pivoting
- Attractive and elegant on window and balcony doors
- Concealed screws

Technical data:

Material:	Stainless steel material No. 1.4301
Surface:	Fine matt
Lock-in position:	Two-fold, 180°
Handle mounting:	Fixed/pivoting
Square pin:	10 x 95 mm steel, loose
Cam diameter:	10 mm
Rosette dimensions:	35 x 155 x 15 mm
Fastening:	2 countersunk head screws M6x80 mm*
Packing unit:	1 piece

*Except version HSG 1020 outside PZ; M6 threaded cams for screw connection with an inside handle (supplied **without** pin and screws)



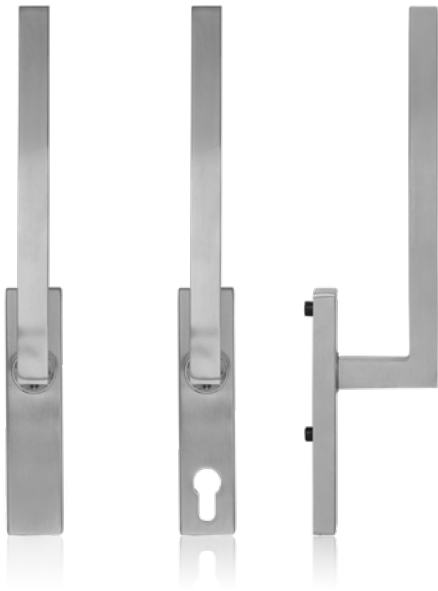
Product name	Version	PU	Item no.
blaugelb Sliding Door Lever Handle HSG 1020 fine matt stainless steel	Without perforations	1 piece	9016521
blaugelb Sliding Door Lever Handle HSG 1020 PZ fine matt stainless steel	Profile cylinder	1 piece	9016522
blaugelb Sliding Door Lever Handle HSG 1020 outside PZ fine matt stainless steel	Profile cylinder*	1 piece	9016523

Accessories:

Product name	PU	Item no.
Fastening set TS 70 – 80 Square pin 10x160 mm, M6x90	1 piece	9016528
Fastening set TS 81 – 90 Square pin 10x160 mm, M6x95	1 piece	9016529
Fastening set TS 91 – 100 Square pin 10x160 mm, M6x110	1 piece	9016530
Fastening set TS 101 – 110 Square pin 10x180 mm, M6x120	1 piece	9016531

SLIDING DOOR LEVER HANDLES – handles made from stainless steel

Sliding Door Lever Handles HSG 1030



The blaugelb Sliding Door Lever Handles HSG 1030 made from high-grade stainless steel are notable for their elegance and straight lines, and look good on every door. The angular 90° form emphasises the modern credentials of the handle series and gives it special flair. The blaugelb Sliding Door Lever Handles HSG 1030 are available in a variety of versions for interior and exterior use, and are also suitable for increased security aspects with the use of profile cylinders. The substructure has a precision double detent mechanism and enhances the overall impression of high quality. The handles are supplied with the appropriate fastenings for door thicknesses of 60 – 70 mm.

Product benefits:

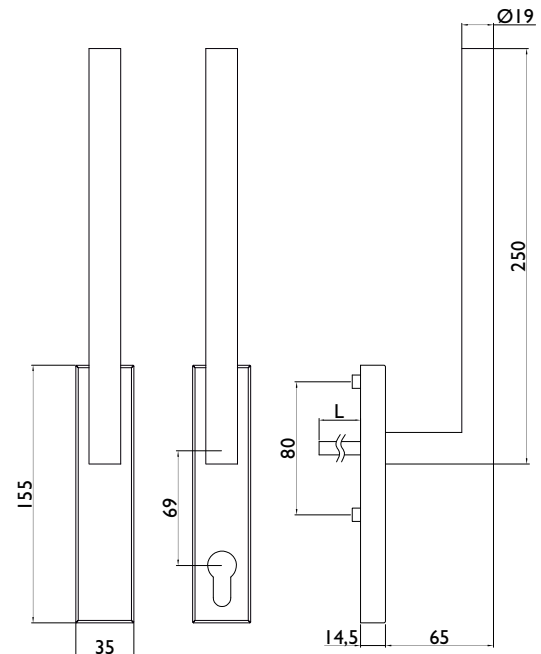
- High-grade materials for durability
- Lever mounted fixed/pivoting
- Attractive and elegant on window and balcony doors
- Concealed screws

Technical data:

Material:	Stainless steel material No. 1.4301
Surface:	Fine matt
Lock-in position:	Two-fold, 180°
Handle mounting:	Fixed/pivoting
Square pin:	10 x 95 mm steel, loose
Cam diameter:	10 mm
Rosette dimensions:	35 x 155 x 15 mm
Fastening:	2 countersunk head screws M6x80 mm
Packing unit:	1 piece

Without perforations

Profile cylinder



Product name	Version	PU	Item no.
blaugelb Sliding Door Lever Handle HSG 1030 fine matt stainless steel	Without perforations	1 piece	9016524
blaugelb Sliding Door Lever Handle HSG 1030 PZ fine matt stainless steel	Profile cylinder	1 piece	9016525

Accessories:

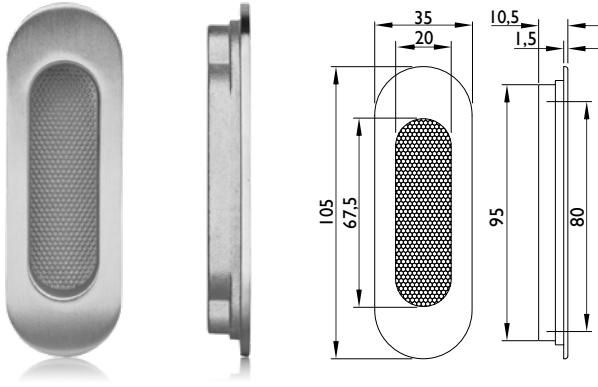
Product name	PU	Item no.
Fastening set TS 70 – 80 Square pin 10x160 mm, M6x90	1 piece	9016528
Fastening set TS 81 – 90 Square pin 10x160 mm, M6x95	1 piece	9016529
Fastening set TS 91 – 100 Square pin 10x160 mm, M6x110	1 piece	9016530
Fastening set TS 101 – 110 Square pin 10x180 mm, M6x120	1 piece	9016531

Matching handles for the outside:

Product name	PU	Item no.
blaugelb Sliding Door Flush Pull oval Fine matt stainless steel	1 piece	9016526
blaugelb Sliding Door Flush Pull cornered Fine matt stainless steel	1 piece	9016527

SLIDING DOOR LEVER HANDLES – flush pulls made from stainless steel

Sliding Door Flush Pull oval



The blaugelb Sliding Door Flush Pull oval made from high-grade stainless steel is the perfect addition to the blaugelb Sliding Door Lever Handles HSG. The design with concealed screw fastening in pairs maintains the high-quality, modern overall impression of the handle. The durable-design handle is fitted on the outside of the lifting/sliding door elements, for ease of opening and closing the elements when blaugelb Sliding Door Lever Handle HSG on the inside is open.

The blaugelb Sliding Door Flush Pull oval matches the sliding door lever handles of the HSG series 1000/1010/1020/1030 without perforation.

Product benefits:

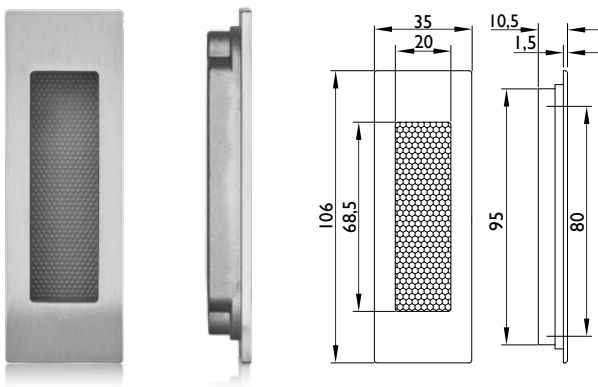
- High-grade materials for durability
- For screw fastening to sliding door lever handles in pairs
- Attractive and elegant on window and balcony doors
- Concealed screws

Technical data:

Material:	Stainless steel material No. 1.4301
Surface:	Fine matt
Dimensions:	105 x 35 x 10.5 mm
Milling dimensions:	95 x 25 x 9 mm
Fastening:	Concealed screw connection with sliding door lever handle
Packing unit:	1 piece

Product name	PU	Item no.
blaugelb Sliding Door Flush Pull oval Fine matt stainless steel	1 piece	9016526

Sliding Door Flush Pull cornered



The blaugelb Sliding Door Flush Pull cornered made from high-grade stainless steel is the perfect addition to the blaugelb Sliding Door Lever Handles HSG. The design with concealed screw fastening in pairs maintains the high-quality, modern overall impression of the handle. The durable-design handle is fitted on the outside of the lifting/sliding door elements, for ease of opening and closing the elements when blaugelb Sliding Door Lever Handle HSG on the inside is open.

The blaugelb Sliding Door Flush Pull cornered matches the sliding door lever handles of the HSG series 1000/1010/1020/1030 without perforation.

Product benefits:

- High-grade materials for durability
- For screw fastening to sliding door lever handles in pairs
- Attractive and elegant on window and balcony doors
- Concealed screws

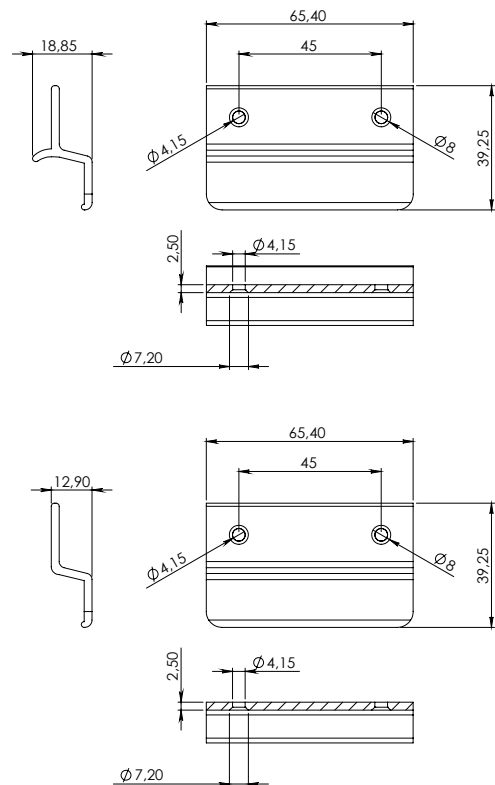
Technical data:

Material:	Stainless steel material No. 1.4301
Surface:	Fine matt
Dimensions:	106 x 35 x 10.5 mm
Milling dimensions:	95 x 25 x 9 mm
Fastening:	Concealed screw connection with sliding door lever handle
Packing unit:	1 piece

Product name	PU	Item no.
blaugelb Sliding Door Flush Pull cornered Fine matt stainless steel	1 piece	9016527

PULL HANDLES

Drawer Pull



The blaugelb Drawer Pulls with/without bar offer a persuasive combination of reliable, long-lasting design with high-grade aluminium used right across the line.

They are supplied complete with the ideal fastenings for plastic balcony and terrace doors. The different surface finishes also give the blaugelb Drawer Pulls with/without bar a striking look and feel.

Product benefits:

- Elegant solution for the balcony door
- Includes fastenings
- Available with or without bar

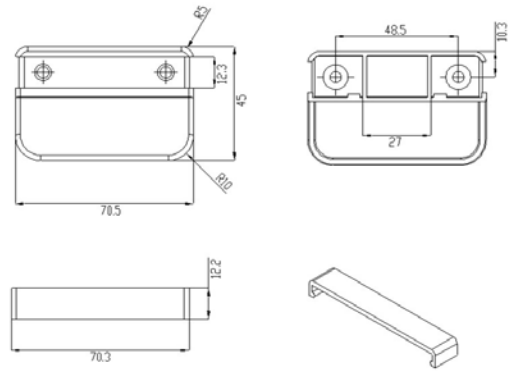
Technical data:

Material:	Aluminium
Surface:	Coated or anodised
Dimensions:	65.40 x 39.25 mm
Version:	With or without bar
Fastening:	Includes 2 screws, 3.9 x 19 mm
Packing unit:	20 pieces (individually packed for optimum surface protection)

Product name	PU	Item no.
blaugelb Drawer Pull with bar F1 (silver anodised)	20 pieces	9021339
blaugelb Drawer Pull with bar F4 (bronze anodised)	20 pieces	9021340
blaugelb Drawer Pull with bar F9 (steel anodised)	20 pieces	9021341
blaugelb Drawer Pull with bar RAL 9016 (white coated)	20 pieces	9021342
blaugelb Drawer Pull with bar RAL 8019 (brown coated)	20 pieces	9021343
blaugelb Drawer Pull with bar RAL 7016 (anthracite coated)	20 pieces	9036075
blaugelb Drawer Pull without bar F1 (silver anodised)	20 pieces	9021634
blaugelb Drawer Pull without bar F4 (bronze anodised)	20 pieces	9021635
blaugelb Drawer Pull without bar F9 (steel anodised)	20 pieces	9021636
blaugelb Drawer Pull without bar RAL 9016 (white coated)	20 pieces	9021637
blaugelb Drawer Pull without bar RAL 8019 (brown coated)	20 pieces	9021638
blaugelb Drawer Pull without bar RAL 7016 (anthracite coated)	20 pieces	9036076

PULL HANDLES

DRAWER PULL



The blaugelb Drawer pull PVC for use on balcony doors is a simple and contemporary solution. Its low overall height makes it a viable alternative even where there are close-fitting roller shutters. After the blaugelb Drawer pull has been fitted, the balcony door can be opened simply by pulling it. The corners of the blaugelb Drawer pull are rounded. The screws of the blaugelb Drawer pulls are concealed by a clip-on cover and can be screwed in on one or both sides.

Product benefits:

- Elegant solution for the balcony door
- Practical clip-on cover for concealed screws

Technical data:

Material:	Plastic
Surface:	White, brown
Dimensions:	70.5 x 45 mm
Edge height:	8 mm
Overall height:	12.2 mm
Overall width:	45 mm
Overall length:	70.5 mm
Hole centre distance:	48.5 mm
Fastening:	2 fixing screws (not included)
Fastening method:	On one side or in pairs

Product name	PU	Item no.
blaugelb Drawer pull PVC white 70.5 x 9 mm	20 pieces	9065849
blaugelb Drawer pull PVC brown 70.5 x 9 mm	20 pieces	9065850
blaugelb Drawer pull PVC RAL 7016 70.5 x 9 mm	20 pieces	9066243

Expert. Honest. Reliable.

For more information, visit
www.blaugelb.de