

## blaugelb Lever Handle Set ½ DGT35 inside PZ92 Black Line

For wooden, plastic and metal doors.

### Product features:

The blaugelb Lever Handle Set ½ DGT35 inside PZ92 Black Line with a plate width of 35 mm (PZ92 spacing) is suitable for wooden, plastic and metal exterior doors. It is equipped with a holding spring for precise positioning of the lever. The holding spring also assists the follower spring with the return movement of the catch.

The inner plate of the blaugelb Lever Handle Set ½ DGT35 inside PZ92 Black Line can easily be removed and fitted thanks to the ball clip device. The set is mounted by means of concealed screws.

The microstructured surface finish ensures a more pleasant feel, even at cold temperatures. Additional advantages of the structured surface include increased dirt resistance and decreased susceptibility to scratches, which helps to lengthen the lifespan.

The blaugelb Lever Handle Set ½ DGT35 inside PZ92 Black Line can be combined with a Black Line push handle or a blaugelb ½ DGT35 outside PZ92 Black Line.

- Holding spring for precise handle position
- Ball clip device for easy assembly and disassembly of inner plate
- High-quality materials and finishes
- Concealed screws
- Elegant appearance on the door
- Microstructured surface for a more pleasant feel, increased dirt resistance and lifespan

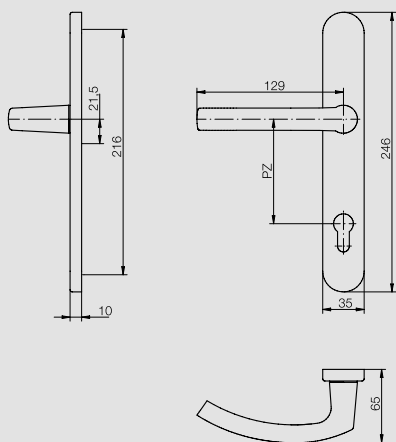
# blaugelb Lever Handle Set ½ DGT35 inside PZ92 Black Line

For wooden, plastic and metal doors.



## Technical data:

Material:	Aluminium
Surface:	Powder-coated black matt, microstructure
Handle mounting:	Fixed/pivoting/holding spring
Handle square socket:	8 mm
Plate dimensions:	35 x 246 mm
Plate height:	10 mm
Profile cylinder spacing:	92 mm
Continuous cams:	6 mm
Fastening:	Concealed screws
Packing unit:	1 set (without fastening set)



Product name	PU	Item no.
blaugelb Lever Handle Set ½ DGT35 inside PZ92 AL <b>black matt</b>	1 piece	9278774

## Accessories:

Product name	PU	Item no.
Square pin, galvanised 1 pin 8/8x90 mm	1 piece	0337806
Square pin, galvanised 1 pin 8/8x100 mm	1 piece	0337807
Square pin, galvanised 1 pin 8/8x120 mm	1 piece	0337803