

blaugelb Lever Handle Set ½ DGT50 outside PZ92 Black Line

For wooden, plastic and metal doors.

Product features:

The blaugelb Lever Handle Set ½ DGT50 outside PZ92 Black Line with a plate width of 50 mm (PZ92 spacing) is suitable for wooden, plastic and metal exterior doors. It can be combined with a blaugelb ½ DGT50 inside PZ92 Black Line. The set is mounted by means of concealed screws.

The microstructured surface finish ensures a more pleasant feel, even at cold temperatures. Additional advantages of the structured surface include increased dirt resistance and decreased susceptibility to scratches, which helps to lengthen the lifespan.

- High-quality materials and finishes
- Concealed screws
- Elegant appearance on the door
- Microstructured surface for a more pleasant feel, increased dirt resistance and lifespan

Continued on
the next page ►

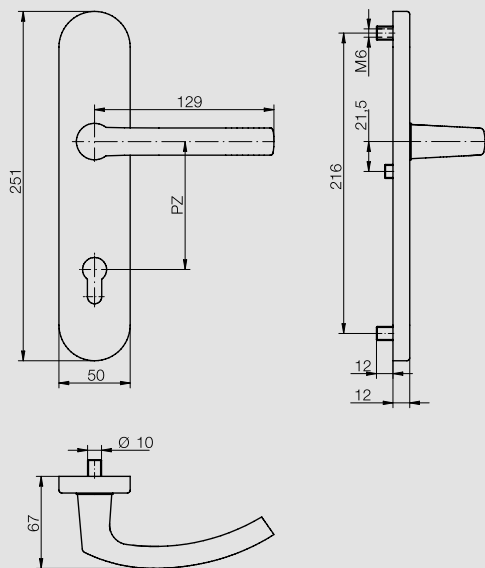


Technical data:

Material:	Aluminium
Surface:	Powder-coated black matt, microstructure
Handle mounting:	Fixed/pivoting
Handle square socket:	8 mm
Plate dimensions:	50 x 251 mm
Plate height:	12 mm
Profile cylinder spacing:	92 mm
Stud internal diameter:	6 mm
Fastening:	Concealed screws
Packing unit:	1 set (without fastening set)

Fastening set for 10 mm socket:

Product name	PU	Item no.
Fastening set DGT35/DGT50/NGT35 TS 57–62 mm 1 pin 8/10/8x130 mm/3 screws M6x70 mm	1 set	0424183
Fastening set DGT35/DGT50/NGT35 TS 62–67 mm 1 pin 8/10/8x130 mm / 3 screws M6x75 mm	1 set	0424184
Fastening set DGT35/DGT50/NGT35 TS 67–72 mm 1 pin 8/10/8x140 mm/3 screws M6x80 mm	1 set	0424185
Fastening set DGT35/DGT50/NGT35 TS 72–77 mm 1 pin 8/10/8x140 mm/3 screws M6x85 mm	1 set	0424186
Fastening set DGT35/DGT50/NGT35 TS 77–82 mm 1 pin 8/10/8x150 mm/3 screws M6x90 mm	1 set	0424187
Fastening set DGT35/DGT50/NGT35 TS 82–87 mm 1 pin 8/10/8x150 mm/3 screws M6x95 mm	1 set	0424188
Fastening set DGT35/DGT50/NGT35 TS 87–92 mm 1 pin 8/10/8x160 mm/3 screws M6x100 mm	1 set	0424189



Product name	PU	Item no.
blaugelb Lever Handle Set ½ DGT50 outside PZ92 AL black matt	1 piece	9278779

Accessories:

Fastening set for 8 mm socket:

Product name	PU	Item no.
Fastening set DGT35/DGT50/NGT35 TS 57–62 mm 1 pin 8x130 mm/3 screws M6x70 mm	1 set	0424168
Fastening set DGT35/DGT50/NGT35 TS 62–67 mm 1 pin 8x130 mm / 3 screws M6x75 mm	1 set	0424169
Fastening set DGT35/DGT50/NGT35 TS 67–72 mm 1 pin 8x140 mm/3 screws M6x80 mm	1 set	0424171
Fastening set DGT35/DGT50/NGT35 TS 72–77 mm 1 pin 8x140 mm/3 screws M6x85 mm	1 set	0424172
Fastening set DGT35/DGT50/NGT35 TS 77–82 mm 1 pin 8x150 mm/3 screws M6x90 mm	1 set	0424173
Fastening set DGT35/DGT50/NGT35 TS 82–87 mm 1 pin 8x150 mm/3 screws M6x95 mm	1 set	0424174
Fastening set DGT35/DGT50/NGT35 TS 87–92 mm 1 pin 8x160 mm/3 screws M6x100 mm	1 set	0424175