



## blaugelb Lever Handle Set DGT30 PZ92 Black Line

For wooden, plastic and metal doors.

### Product features:

The blaugelb Lever Handle Set DGT30 PZ92 Black Line with a plate width of 30 mm (PZ92 spacing) is suitable for wooden, plastic and metal exterior doors. It is equipped with a holding spring for precise positioning of the lever. The holding spring also assists the follower spring with the return movement of the catch.

The microstructured surface finish ensures a more pleasant feel, even at cold temperatures. Additional advantages of the structured surface include increased dirt resistance and decreased susceptibility to scratches, which helps to lengthen the lifespan.

The inner plate of the blaugelb Lever Handle Set DGT30 PZ92 Black Line can easily be removed and fitted thanks to the ball clip device. The set is mounted by means of concealed screws.

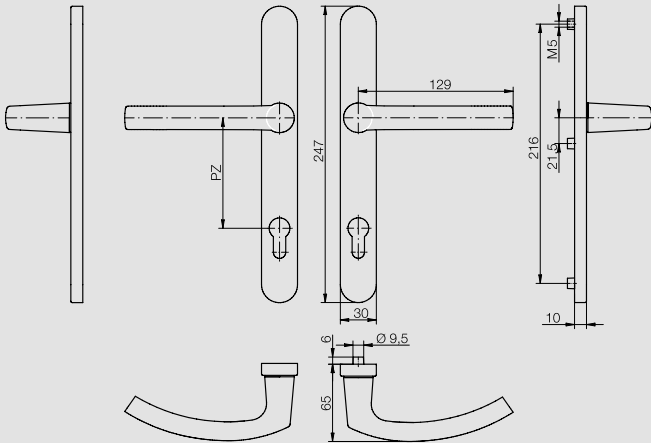
- Holding spring for precise handle position
- Ball clip device for easy assembly and disassembly of inner plate
- High-quality materials and finishes
- Concealed screws
- Elegant appearance on the door
- Microstructured surface for a more pleasant feel, increased dirt resistance and lifespan

Continued on  
the next page 



### Technical data:

Material:	Aluminium
Surface:	Powder-coated black matt, microstructure
Handle mounting:	Fixed/pivoting/holding spring
Handle square socket:	8 mm
Plate dimensions:	30 x 247 mm
Plate height:	10 mm
Profile cylinder spacing:	92 mm
Stud internal diameter:	5 mm
Fastening:	Concealed screws
Packing unit:	1 set (without fastening set)



Product name	PU	Item no.
blaugelb Lever Handle Set DGT30 PZ92 AL <b>black matt</b>	1 piece	9278754

### Accessories:

Product name	PU	Item no.
Fastening set DGT30/NGT30 TS 57–62 mm 1 pin 8x130 mm/3 screws M5x70 mm	1 set	0423942
Fastening set DGT30/NGT30 TS 62–67 mm 1 pin 8x130 mm/3 screws M5x75 mm	1 set	0424155
Fastening set DGT30/NGT30 TS 67–72 mm 1 pin 8x140 mm/3 screws M5x80 mm	1 set	0424156
Fastening set DGT30/NGT30 TS 72–77 mm 1 pin 8x140 mm/3 screws M5x85 mm	1 set	0424157
Fastening set DGT30/NGT30 TS 77–82 mm 1 pin 8x150 mm/3 screws M5x90 mm	1 set	0424158
Fastening set DGT30/NGT30 TS 82–87 mm 1 pin 8x150 mm/3 screws M5x95 mm	1 set	0424159
Fastening set DGT30/NGT30 TS 87–92 mm 1 pin 8x160 mm/3 screws M5x100 mm	1 set	0424160