

blaugelb Knob Handle Set KGT50 PZ92 Black Line

For wooden, plastic and metal doors.


Product features:

The blaugelb Knob Handle Set KGT50 PZ92 Black Line with a plate width of 50 mm (PZ92 spacing) is suitable for wooden, plastic and metal exterior doors. It is equipped with a holding spring for precise positioning of the lever. The holding spring also assists the follower spring with the return movement of the catch.

The microstructured surface finish ensures a more pleasant feel, even at cold temperatures. Additional advantages of the structured surface include increased dirt resistance and decreased susceptibility to scratches, which helps to lengthen the lifespan.

The inner plate of the blaugelb Knob Handle Set KGT50 PZ92 Black Line can easily be removed and fitted thanks to the ball clip device. The set is mounted by means of concealed screws.

- Holding spring for precise handle position
- Ball clip device for easy assembly and disassembly of inner plate
- High-quality materials and finishes
- Concealed screws
- Elegant appearance on the door
- Microstructured surface for a more pleasant feel, increased dirt resistance and lifespan

Continued on
the next page 

blaugelb
Knob Handle Set KGT50 PZ92 Black Line
 For wooden, plastic and metal doors.

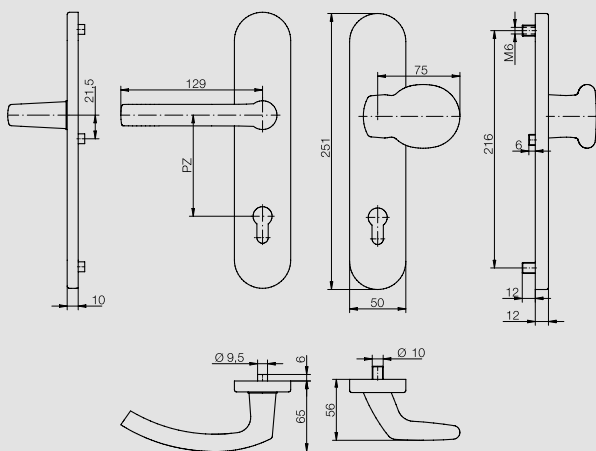


Technical data:

Material:	Aluminium
Surface:	Powder-coated black matt, microstructure
Version:	Knob fixed, can be reversed from right-hand to left-hand
Handle mounting:	Fixed/pivoting/holding spring
Handle square socket:	8 mm
Plate dimensions:	50 x 251 mm
Plate height:	10/12 mm
Profile cylinder spacing:	92 mm
Stud internal diameter:	6 mm
Fastening:	Concealed screws
Packing unit:	1 set (without fastening set)

Fastening set for 10 mm socket:

Product name	PU	Item no.
Fastening set KGT35/KGT50 N10 TS 57-62 mm 1 pin 8/10x90 mm / 3 screws M6x70 mm	1 set	0424190
Fastening set KGT35/KGT50 N10 TS 62-67 mm 1 pin 8/10x95 mm / 3 screws M6x75 mm	1 set	0424191
Fastening set KGT35/KGT50 N10 TS 67-72 mm 1 pin 8/10x100 mm / 3 screws M6x80 mm	1 set	0424193
Fastening set KGT35/KGT50 N10 TS 72-77 mm 1 pin 8/10x105 mm / 3 screws M6x85 mm	1 set	0424194
Fastening set KGT35/KGT50 N10 TS 77-82 mm 1 pin 8/10x110 mm / 3 screws M6x90 mm	1 set	0424195
Fastening set KGT35/KGT50 N10 TS 82-87 mm 1 pin 8/10x115 mm / 3 screws M6x95 mm	1 set	0424196
Fastening set KGT35/KGT50 N10 TS 87-92 mm 1 pin 8/10x120 mm / 3 screws M6x100 mm	1 set	0424197



Product name	PU	Item no.
blaugelb Knob Handle Set KGT50 PZ92 AL black matt	1 piece	9278777

Accessories:

Fastening set for 8 mm socket:

Product name	PU	Item no.
Fastening set KGT35/KGT50 TS 57-62 mm 1 pin 8x90 mm/3 screws M6x70 mm	1 set	0424176
Fastening set KGT35/KGT50 TS 62-67 mm 1 pin 8x95 mm/3 screws M6x75 mm	1 set	0424177
Fastening set KGT35/KGT50 TS 67-72 mm 1 pin 8x100 mm / 3 screws M6x80 mm	1 set	0424178
Fastening set KGT35/KGT50 TS 72-77 mm 1 pin 8x105 mm/3 screws M6x85 mm	1 set	0424179
Fastening set KGT35/KGT50 TS 77-82 mm 1 pin 8x110 mm/3 screws M6x90 mm	1 set	0424180
Fastening set KGT35/KGT50 TS 82-87 mm 1 pin 8x115 mm/3 screws M6x95 mm	1 set	0424181
Fastening set KGT35/KGT50 TS 87-92 mm 1 pin 8x120 mm / 3 screws M6x100 mm	1 set	0424182