

The blaugelb Window Handle FGS L form lockable made from high-grade stainless steel, in an elegant and timeless design.



## blaugelb Window Handle FGS L form lockable 100 Nm

Timeless design combined with high-grade stainless steel for wooden, plastic and aluminium window frames.

- High-grade materials for durability
- Lockable 100 Nm
- 4-ball substructure for precision detent
- Attractive and elegant on the window
- Concealed screws

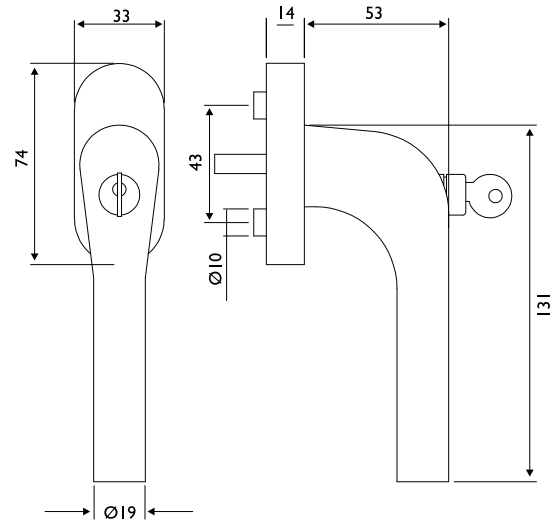
**Product features:**

The blaugelb Window Handle FGS L form lockable 100 Nm made from high-grade stainless steel is notable for its elegance and straight lines, and looks good on every window.

The lockable window handle is tested according to DIN EN 13126:2012 and achieves protective effect class SK 2 at 100 Nm. The push cylinder is simultaneous-locking and is integrated into the handle.

Thanks to the metal substructure with a concealed precision 4-ball detent mechanism, the window handle is always perfectly positioned in relation to the rosette and completes the high-quality overall impression. The screw connections are concealed and the clip-on trim rosette is in a matching finish to the handle surface.

The blaugelb Window Handle FGS L form lockable 100 Nm is supplied complete with fastening for the appropriate pin length and two keys.



**Product benefits:**

- High-grade materials for durability
- Lockable 100 Nm
- 4-ball substructure for precision detent
- Attractive and elegant on the window
- Concealed screws

Product name	PU	Item no.
blaugelb FGS Stainless Steel L form lockable 100 Nm 10/32	30 pieces	9022869
blaugelb FGS Stainless Steel L form lockable 100 Nm 10/37	30 pieces	9022870
blaugelb FGS Stainless Steel L form lockable 100 Nm 10/43	30 pieces	9022871

**Technical data:**

Material:	Stainless steel material No. 1.4301
Surface:	Fine matt
Rosette material:	Metal
Lock-in position:	Four-fold, 90°
Square pin:	7 mm steel
Pin lengths:	32 / 37 / 43 mm
Cam diameter:	10 mm
Rosette dimensions:	33 x 74 x 14 mm (oval)
Tested to:	DIN EN 13126-3:2012, 100 Nm (SK2)
Fastening:	2 countersunk head screws M5x45 / 50 / 55 mm galvanised
Packing unit:	20 pieces

**Accessories:**

Product name	PU	Item no.
blaugelb Spare key FGS ER lockable	1 piece	9075949