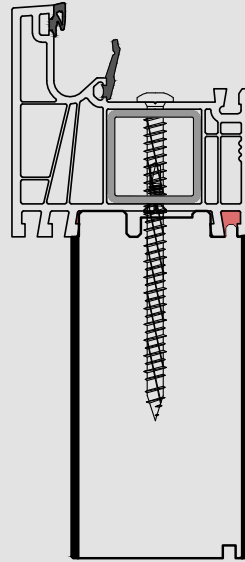


Plinth Thermal Insulation Profile PVC/TK GEALAN for BT 74

For perfect insulation results.



MADE TO MEASURE
FERTIGUNGSZENTRUM
Meesenburg

Product features:

The blaugelb Plinth Thermal Insulation Profile PVC/TK made of a TK core (thermoplastic resin) and a two-sided 2 mm PVC top layer (polyvinyl chloride) offers the best possible heat and moisture protection on balcony doors made of plastic, aluminium, wood and wood/aluminium. The blaugelb Plinth Thermal Insulation Profile PVC/TK is sturdy, durable and is exceptionally quick and easy to fit. The blaugelb Plinth Thermal Insulation Profile PVC/TK enables thermal separation and reduces potential thermal bridges compared to conventional plastic profiles with steel reinforcement. It is dimensionally stable, 100 % free of HCFCs, HFCs and HBCDs.

The blaugelb Plinth Thermal Insulation Profile PVC/TK was specially developed for fitting as a floor recess profile under frames for floor-level elements. The profile-specific Plinth Thermal Insulation Profiles PVC/TK can be produced at heights of 30 to 300 mm. By virtue of the innovative dovetail joint, the blaugelb Plinth Thermal Insulation Profiles PVC/TK can be positively interlocked to create any desired length. The dovetail joint optimises waste, in some cases avoiding waste altogether.

Effective insulation offering high potential savings

Permanently eliminates energy weak points on components

Prevents damage caused by moisture and mould

High load transfer and low weight

Force-locking screwing in the frame structure

Due to the milled tongue and groove joint, it is possible to adapt the profile-specific Plinth Thermal Insulation Profile PVC/TK with profile-independent plinth thermal insulation profiles. The profiles which are to be joined have a groove on one edge and a tongue on the other edge and can be coupled in height one under the other.

The contoured mount guarantees quick and easy installation of the profile with the blaugelb Frame Screw Fix FK-T30 and precise positioning thanks to the contour cutting. This prevents the formation of a hollow chamber between the plinth thermal insulation profile and the frame, and airtightness is achieved thanks to the process-safe sealing.

Product benefits:

- effective insulation offering high potential savings
- permanently eliminates energy weak points on components installed on floor slabs and enhances indoor comfort
- prevents damage caused by moisture and mould
- high load transfer and low weight
- force-locking screwing in the frame structure
- UV-resistant PVC top layer
- tested to be very low in emissions according to EMICODE® EC1 Plus

Technical data:

Surface and top layer:	On both sides 2 mm PVC white
Material:	Thermoplastic resin (TK)
Compressive load bearing capacity at 60 x 40 mm: (blaugelb Spacer Block)	4,440 N
Compressive load bearing capacity at 170 x 53 mm: (blaugelb Shim Block HST)	16,669 N
Compressive load bearing capacity at 210 x 53 mm: (blaugelb Shim Block HST)	20,628 N
Thermal transmittance value U-value at 55 mm:	0.696 W/m²K
Thermal transmittance value U-value at 60 mm:	0.641 W/m²K
Dimensional stability:	Very high, including outdoor weathering
Water absorption after 28 days under water: DIN 12087	≤ 0.5 vol. %
Screw withdrawal values: blaugelb Frame Screw Fix FK-T30 7.5 x L mm 60 mm screw-in depth	X-axis: F_{RK} 4.06 kN Y-axis: F_{RK} 3.67 kN
UV-resistance of the PVC top layer: DIN EN 513 (irradiation energy 12 GJ/m² or outdoor weathering over 5 years)	Fastness to weathering and light No colour variations occur that exceed grey scale grade 4 according to ISO 105-A03
Waste code:	AWV 070213

Product name	PU	Item no.
blaugelb Plinth Thermal Insulation Profile PVC/TK 55 x 30 x 3000 mm GEALAN for BT 74	1 piece	3100004680
blaugelb Plinth Thermal Insulation Profile PVC/TK 55 x 30 x 4000 mm GEALAN for BT 74	1 piece	3100004689
blaugelb Plinth Thermal Insulation Profile PVC/TK 55 x 40 x 3000 mm GEALAN for BT 74	1 piece	3100004681
blaugelb Plinth Thermal Insulation Profile PVC/TK 55 x 40 x 4000 mm GEALAN for BT 74	1 piece	3100004690
blaugelb Plinth Thermal Insulation Profile PVC/TK 55 x 50 x 3000 mm GEALAN for BT 74	1 piece	3100004682
blaugelb Plinth Thermal Insulation Profile PVC/TK 55 x 50 x 4000 mm GEALAN for BT 74	1 piece	3100004691
blaugelb Plinth Thermal Insulation Profile PVC/TK 55 x 80 x 3000 mm GEALAN for BT 74	1 piece	3100004683
blaugelb Plinth Thermal Insulation Profile PVC/TK 55 x 80 x 4000 mm GEALAN for BT 74	1 piece	3100004692
blaugelb Plinth Thermal Insulation Profile PVC/TK 55 x 100 x 3000 mm GEALAN for BT 74	1 piece	3100004684

Product name	PU	Item no.
blaugelb Plinth Thermal Insulation Profile PVC/TK 55 x 100 x 4000 mm GEALAN for BT 74	1 piece	3100004693
blaugelb Plinth Thermal Insulation Profile PVC/TK 55 x 130 x 3000 mm GEALAN for BT 74	1 piece	3100004685
blaugelb Plinth Thermal Insulation Profile PVC/TK 55 x 130 x 4000 mm GEALAN for BT 74	1 piece	3100004694
blaugelb Plinth Thermal Insulation Profile PVC/TK 55 x 150 x 3000 mm GEALAN for BT 74	1 piece	3100004686
blaugelb Plinth Thermal Insulation Profile PVC/TK 55 x 150 x 4000 mm GEALAN for BT 74	1 piece	3100004695
blaugelb Plinth Thermal Insulation Profile PVC/TK 55 x 160 x 3000 mm GEALAN for BT 74	1 piece	3100004687
blaugelb Plinth Thermal Insulation Profile PVC/TK 55 x 160 x 4000 mm GEALAN for BT 74	1 piece	3100004696
blaugelb Plinth Thermal Insulation Profile PVC/TK 55 x 180 x 3000 mm GEALAN for BT 74	1 piece	3100004688
blaugelb Plinth Thermal Insulation Profile PVC/TK 55 x 180 x 4000 mm GEALAN for BT 74	1 piece	3100004697
blaugelb Plinth Thermal Insulation Profile PVC/TK 55 x 200 x 3000 mm GEALAN for BT 74	1 piece	3100005504
blaugelb Plinth Thermal Insulation Profile PVC/TK 55 x 200 x 4000 mm GEALAN for BT 74	1 piece	3100005510
blaugelb Plinth Thermal Insulation Profile PVC/TK 55 x 220 x 3000 mm GEALAN for BT 74	1 piece	3100005505
blaugelb Plinth Thermal Insulation Profile PVC/TK 55 x 220 x 4000 mm GEALAN for BT 74	1 piece	3100005511
blaugelb Plinth Thermal Insulation Profile PVC/TK 55 x 240 x 3000 mm GEALAN for BT 74	1 piece	3100005506
blaugelb Plinth Thermal Insulation Profile PVC/TK 55 x 240 x 4000 mm GEALAN for BT 74	1 piece	3100005512
blaugelb Plinth Thermal Insulation Profile PVC/TK 55 x 260 x 3000 mm GEALAN for BT 74	1 piece	3100005507
blaugelb Plinth Thermal Insulation Profile PVC/TK 55 x 260 x 4000 mm GEALAN for BT 74	1 piece	3100005513
blaugelb Plinth Thermal Insulation Profile PVC/TK 55 x 280 x 3000 mm GEALAN for BT 74	1 piece	3100005508
blaugelb Plinth Thermal Insulation Profile PVC/TK 55 x 280 x 4000 mm GEALAN for BT 74	1 piece	3100005514
blaugelb Plinth Thermal Insulation Profile PVC/TK 55 x 300 x 3000 mm GEALAN for BT 74	1 piece	3100005509
blaugelb Plinth Thermal Insulation Profile PVC/TK 55 x 300 x 4000 mm GEALAN for BT 74	1 piece	3100005515
blaugelb Plinth Thermal Insulation Profile PVC/TK 60 x 30 x 3000 mm GEALAN for BT 74	1 piece	3100001297
blaugelb Plinth Thermal Insulation Profile PVC/TK 60 x 30 x 4000 mm GEALAN for BT 74	1 piece	3100001306
blaugelb Plinth Thermal Insulation Profile PVC/TK 60 x 40 x 3000 mm GEALAN for BT 74	1 piece	3100001298
blaugelb Plinth Thermal Insulation Profile PVC/TK 60 x 40 x 4000 mm GEALAN for BT 74	1 piece	3100001307
blaugelb Plinth Thermal Insulation Profile PVC/TK 60 x 50 x 3000 mm GEALAN for BT 74	1 piece	3100001299
blaugelb Plinth Thermal Insulation Profile PVC/TK 60 x 50 x 4000 mm GEALAN for BT 74	1 piece	3100001308
blaugelb Plinth Thermal Insulation Profile PVC/TK 60 x 80 x 3000 mm GEALAN for BT 74	1 piece	3100001300
blaugelb Plinth Thermal Insulation Profile PVC/TK 60 x 80 x 4000 mm GEALAN for BT 74	1 piece	3100001309
blaugelb Plinth Thermal Insulation Profile PVC/TK 60 x 100 x 3000 mm GEALAN for BT 74	1 piece	3100001301
blaugelb Plinth Thermal Insulation Profile PVC/TK 60 x 100 x 4000 mm GEALAN for BT 74	1 piece	3100001310
blaugelb Plinth Thermal Insulation Profile PVC/TK 60 x 130 x 3000 mm GEALAN for BT 74	1 piece	3100001302
blaugelb Plinth Thermal Insulation Profile PVC/TK 60 x 130 x 4000 mm GEALAN for BT 74	1 piece	3100001311
blaugelb Plinth Thermal Insulation Profile PVC/TK 60 x 150 x 3000 mm GEALAN for BT 74	1 piece	3100001303
blaugelb Plinth Thermal Insulation Profile PVC/TK 60 x 150 x 4000 mm GEALAN for BT 74	1 piece	3100001312

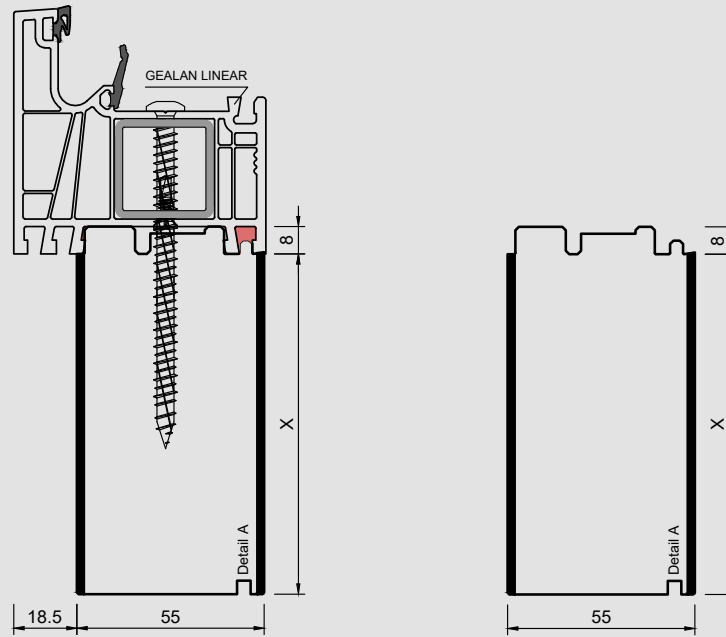
Product name	PU	Item no.
blaugelb Plinth Thermal Insulation Profile PVC/TK 60 x 160 x 3000 mm GEALAN for BT 74	1 piece	3100001304
blaugelb Plinth Thermal Insulation Profile PVC/TK 60 x 160 x 4000 mm GEALAN for BT 74	1 piece	3100001313
blaugelb Plinth Thermal Insulation Profile PVC/TK 60 x 180 x 3000 mm GEALAN for BT 74	1 piece	3100001305
blaugelb Plinth Thermal Insulation Profile PVC/TK 60 x 180 x 4000 mm GEALAN for BT 74	1 piece	3100001314
blaugelb Plinth Thermal Insulation Profile PVC/TK 60 x 200 x 3000 mm GEALAN for BT 74	1 piece	3100005516
blaugelb Plinth Thermal Insulation Profile PVC/TK 60 x 200 x 4000 mm GEALAN for BT 74	1 piece	3100005522
blaugelb Plinth Thermal Insulation Profile PVC/TK 60 x 220 x 3000 mm GEALAN for BT 74	1 piece	3100005517
blaugelb Plinth Thermal Insulation Profile PVC/TK 60 x 220 x 4000 mm GEALAN for BT 74	1 piece	3100005523
blaugelb Plinth Thermal Insulation Profile PVC/TK 60 x 240 x 3000 mm GEALAN for BT 74	1 piece	3100005518
blaugelb Plinth Thermal Insulation Profile PVC/TK 60 x 240 x 4000 mm GEALAN for BT 74	1 piece	3100005524
blaugelb Plinth Thermal Insulation Profile PVC/TK 60 x 260 x 3000 mm GEALAN for BT 74	1 piece	3100005519
blaugelb Plinth Thermal Insulation Profile PVC/TK 60 x 260 x 4000 mm GEALAN for BT 74	1 piece	3100005525
blaugelb Plinth Thermal Insulation Profile PVC/TK 60 x 280 x 3000 mm GEALAN for BT 74	1 piece	3100005520
blaugelb Plinth Thermal Insulation Profile PVC/TK 60 x 280 x 4000 mm GEALAN for BT 74	1 piece	3100005526
blaugelb Plinth Thermal Insulation Profile PVC/TK 60 x 300 x 3000 mm GEALAN for BT 74	1 piece	3100005521
blaugelb Plinth Thermal Insulation Profile PVC/TK 60 x 300 x 4000 mm GEALAN for BT 74	1 piece	3100005527

Delivery and storage form:

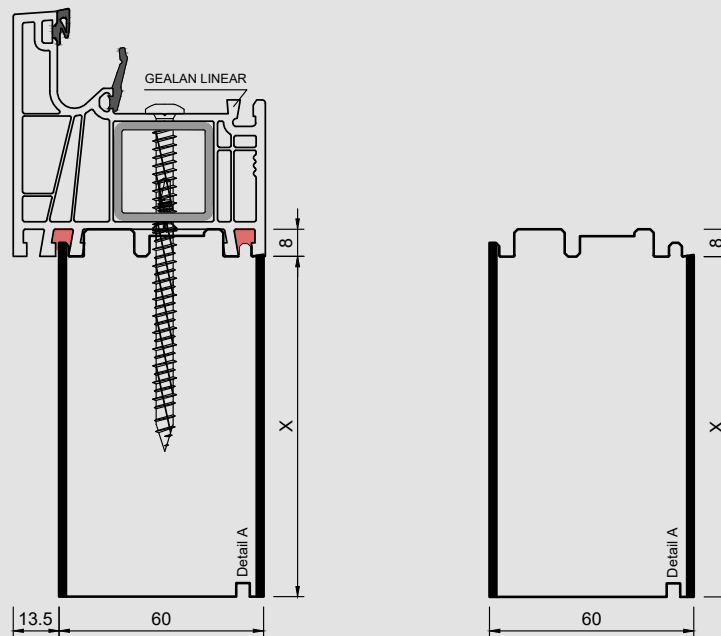
Store in its original packaging. Current packaging: Use of a PE stretch film.

Safety note:

According to the available specifications and guidelines, the product is not a hazardous substance.



X = 30, 40, 50, 80, 100, 130, 150, 160, 180, 200, 220, 240, 260, 280, 300 mm



X = 30, 40, 50, 80, 100, 130, 150, 160, 180, 200, 220, 240, 260, 280, 300 mm

The information provided in this document corresponds to the information and technical details available to the best of our knowledge. However, this does not constitute a guarantee pursuant to section 443 of the German Civil Code (BGB). Our processing instructions are to be considered only as general guidelines and may differ in the individual case due to the range of possible uses and applications. They do therefore not automatically exempt the user from carrying out their own tests. We reserve the right to make technical modifications and enhancements at any time.