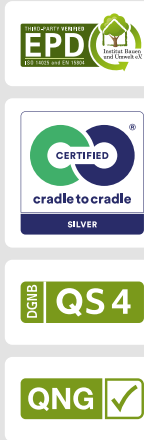
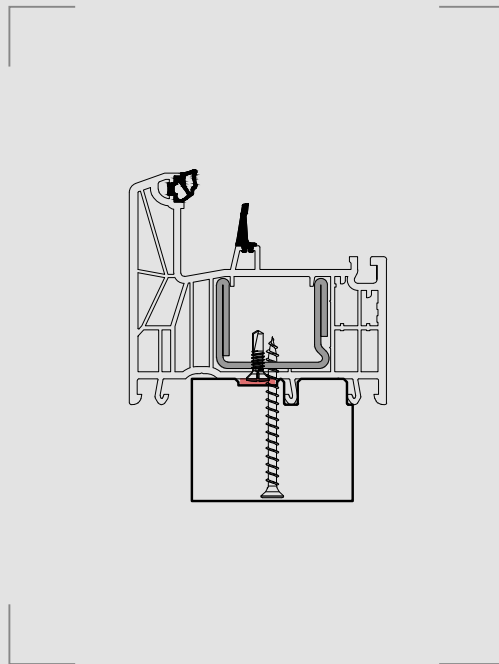


# Sill Connection Profile EPS REHAU for BT 80

For an ideal thermal separation between the exterior and interior window sill.



**MADE TO MEASURE**  
FERTIGUNGSZENTRUM  
*Meesenburg*

## Product features:

The blaugelb Sill Connection Profile made of highly compressed EPS (expanded polystyrene) offers the best possible heat and moisture protection and enables technically and visually clean installation/attachment of the exterior and interior window sill that is individually adapted to the installed window or door elements – including optimal thermal separation.

The Sill Connection Profile is narrower than the window frame, making it possible to optimally position the interior or exterior window sill. The blaugelb Sill Connection Profiles can be produced at heights of 30 to 70 mm. A tongue and groove connection allows unlimited extension here and the excellent compressive strength of 1,260 kg/dm<sup>2</sup> means that the profiles can also be used for large and very wide window elements without any problems.

The profile-specific sill connection profiles for plastic, wood or Aluminium windows are available in various shapes and heights.

No deformation in the area of the spacer block, preventing impermissible movement when used

Reduction of service required for window adjustment

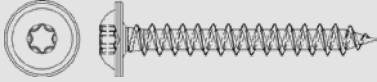
Cradle to Cradle Certified® at the Silver level

Reduction of the thermal bridge between the interior window sill and the exterior window sill guarantees good thermal insulation

Provides technically and visually clean support for the exterior and interior window sill

The contoured mount guarantees quick and easy installation of the profile with the blaugelb Frame Screw Fix FK-T30 or the blaugelb Coupling Screw FK-T30 with drilling bit and precise positioning thanks to the contour cutting. This prevents the formation of a hollow chamber between the sill connection profile and the frame, and airtightness is achieved thanks to the process-safe sealing.

**Sealing recommendation:** Seal between the window frame and the blaugelb Sill Connection Profile with blaugelb Hybrid Polymer Crystal (item no. 0426600). To screw onto the window sill, we recommend a window sill screw with pressed-on washer in A2 4.5 x 35 mm item no. 9024210, RAL 9016 4.5 x 35 mm item no. 9071019 or RAL 7016 4.5 x 35 mm item no. 9071018.



## Product benefits:

- provides technically and visually clean support for the exterior and interior window sill
- secure load transfer, even with high element weights
- the flat flanks ensure no deformation in the area of the spacer block perpendicular to the window plane, thus preventing impermissible movement when used
- reduction of service required for window adjustment
- reduction of the thermal bridge between the interior window sill and exterior window sill guarantees good thermal insulation
- suitable for all plastic and/or aluminium windows due to individual cutting
- suitable for stone and aluminium window sills due to the Overall height of 35 and 40 mm
- secured screw connection of the aluminium window sill
- tongue and groove connection for unlimited extension
- optimal transport, pallet size 1,200 mm
- area of application in new and old buildings
- one solution for all profile systems
- tested to be very low in emissions according to EMICODE® EC1 Plus
- Cradle to Cradle Certified® at the Silver level

## Technical data:

|  |   |
|--|---|
| Material:  | High-density EPS (expanded polystyrene), high ductility |
| Colour:  | Grey  |
| Compressive load bearing capacity at max. total deformation of 2 %:                            | 1,260 kg/dm <sup>2</sup>                                |
| Compressive load bearing capacity at 60 x 40 mm: (blaugelb Spacer Block)                       | 5,800 N   |
| Fire behaviour:<br><b>DIN 4102-1:1998-05 / DIN EN 13501-1:2019-05</b>                          | B2 / Class E  |
| Thermal transmittance value U-value at 50 mm:  | 0.806 W/m <sup>2</sup> K                                |
| Thermal transmittance value U-value at 55 mm:  | 0.733 W/m <sup>2</sup> K                                |
| Thermal conductivity nominal value $\lambda_{10}$ :<br><b>DIN EN 12667:2001-05</b>             | 0.0403 W/m <sup>2</sup> k                               |
| Water vapour diffusion resistance:<br><b>DIN EN ISO 12086</b>                                  | 228 $\mu$   |
| Air permeability:<br><b>EN 12207</b>   | Class 4   |
| Bending strength:<br><b>DIN EN 12089</b>   | $\geq 2,490$ kPa  |
| Airborne sound insulation:<br><b>DIN EN ISO 717-1</b><br>(with an area of 0.8 m <sup>2</sup> ) | 40 mm: $R_w$ 28.5 dB $\pm$ 1.2 dB                       |

|  |  |
|--|--|
| Compression stress (2 % compression):<br><b>DIN EN 13163:2017 / EN 826:2013-05</b>                           | $\geq 1,435$ kPa   |
| Shear strength:<br><b>DIN ISO 14130</b>  | 0.217 N/mm <sup>2</sup>  |
| Dimensional strength:<br><b>DIN ISO 75-1</b>   | Short-term up to +95 °C<br>Long-term up to +85 °C  |
| Dimensional stability:<br><b>DIN EN 13163:2015-04</b>  | Very high, including outdoor weathering  |
| Water absorption after 28 days under water:<br><b>DIN 12087</b>  | $\leq 0.5$ vol. %  |
| Screw withdrawal values:<br>blaugelb Frame Screw Fix FK-T30 7.5 x 42 mm<br>sfs window sill screw 4.5 x 35 mm | $F_{FK,A2}$ 1,200 N<br>$F_{FK,A2}$ 510 N   |
| Compatibility with conventional building materials:  | Compatible, except for solvents, solvent-bearing materials and materials that are not polystyrene-compatible |
| Ageing resistance:   | Mould-proof, does not rot  |
| Waste code:  | Code no. 170604<br>Code no. 170904   |

| Product name   | PU      | Item no.   |
|--|---------|------------|
| blaugelb Sill Connection Profile EPS 50 x 30 x 1200 mm<br><b>REHAU for BT 80</b> | 1 piece | 3100006690 |
| blaugelb Sill Connection Profile EPS 50 x 35 x 1200 mm<br><b>REHAU for BT 80</b> | 1 piece | 3100006691 |
| blaugelb Sill Connection Profile EPS 50 x 40 x 1200 mm<br><b>REHAU for BT 80</b> | 1 piece | 3100006692 |
| blaugelb Sill Connection Profile EPS 50 x 45 x 1200 mm<br><b>REHAU for BT 80</b> | 1 piece | 3100006693 |
| blaugelb Sill Connection Profile EPS 50 x 50 x 1200 mm<br><b>REHAU for BT 80</b> | 1 piece | 3100006694 |
| blaugelb Sill Connection Profile EPS 50 x 60 x 1200 mm<br><b>REHAU for BT 80</b> | 1 piece | 3100006695 |
| blaugelb Sill Connection Profile EPS 50 x 70 x 1200 mm<br><b>REHAU for BT 80</b> | 1 piece | 3100006696 |
| blaugelb Sill Connection Profile EPS 55 x 30 x 1200 mm<br><b>REHAU for BT 80</b> | 1 piece | 3100005700 |
| blaugelb Sill Connection Profile EPS 55 x 35 x 1200 mm<br><b>REHAU for BT 80</b> | 1 piece | 3100005701 |
| blaugelb Sill Connection Profile EPS 55 x 40 x 1200 mm<br><b>REHAU for BT 80</b> | 1 piece | 3100005702 |
| blaugelb Sill Connection Profile EPS 55 x 45 x 1200 mm<br><b>REHAU for BT 80</b> | 1 piece | 3100005703 |
| blaugelb Sill Connection Profile EPS 55 x 50 x 1200 mm<br><b>REHAU for BT 80</b> | 1 piece | 3100005704 |
| blaugelb Sill Connection Profile EPS 55 x 60 x 1200 mm<br><b>REHAU for BT 80</b> | 1 piece | 3100005705 |
| blaugelb Sill Connection Profile EPS 55 x 70 x 1200 mm<br><b>REHAU for BT 80</b> | 1 piece | 3100005706 |

## Delivery and storage form:

Store in its original packaging. Current packaging: Use of a PE stretch film.

## Disposal:

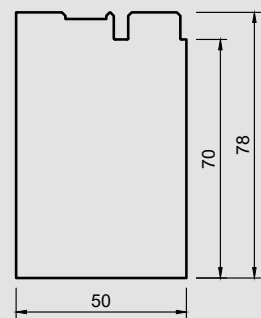
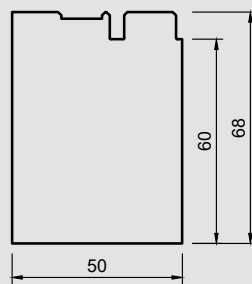
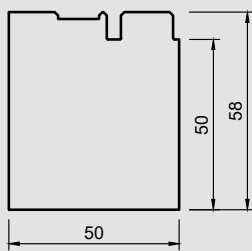
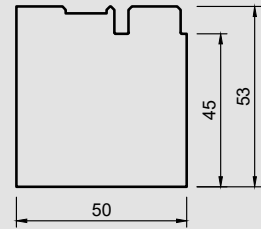
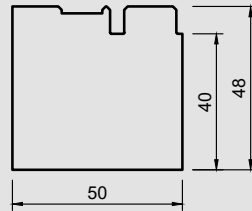
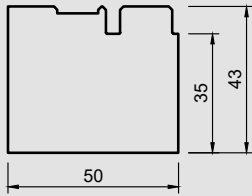
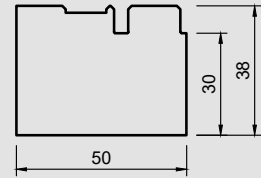
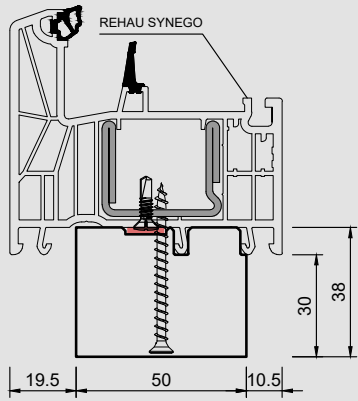
According to Waste Catalogue Ordinance:  
Code no. 170604 (single-grade insulating material EPS)  
Code no. 170904 (mixed construction waste)

## Safety note:

According to the available specifications and guidelines, the product is not a hazardous substance.

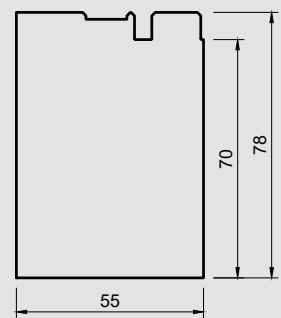
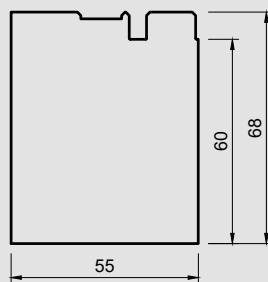
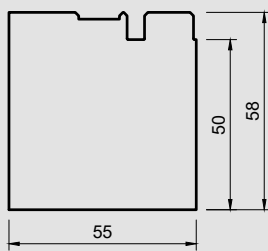
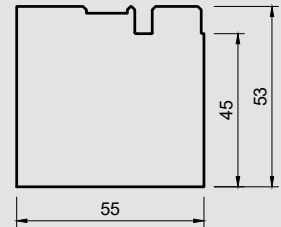
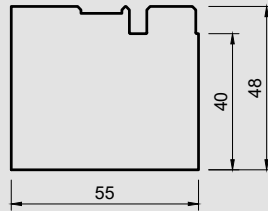
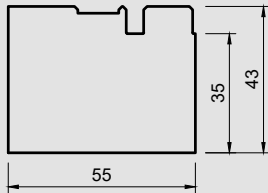
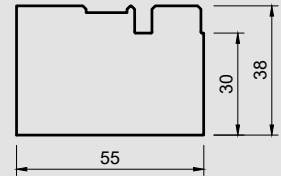
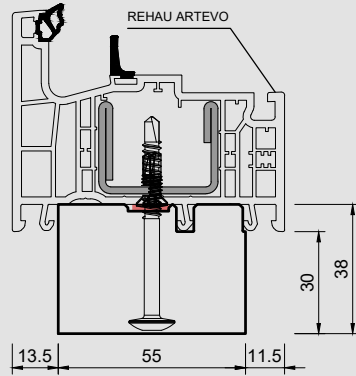
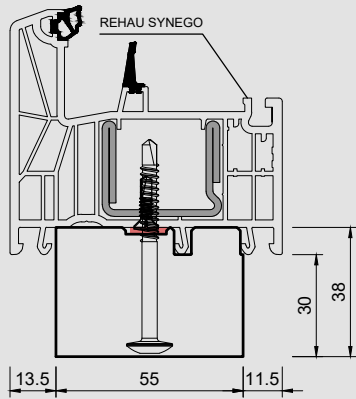
# Sill Connection Profile EPS REHAU for BT 80

For an ideal thermal separation between the exterior and interior window sill.



# Sill Connection Profile EPS REHAU for BT 80

For an ideal thermal separation between the exterior and interior window sill.



The information provided in this document corresponds to the information and technical details available to the best of our knowledge. However, this does not constitute a guarantee pursuant to section 443 of the German Civil Code (BGB). Our processing instructions are to be considered only as general guidelines and may differ in the individual case due to the range of possible uses and applications. They do therefore not automatically exempt the user from carrying out their own tests. We reserve the right to make technical modifications and enhancements at any time.