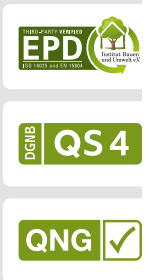
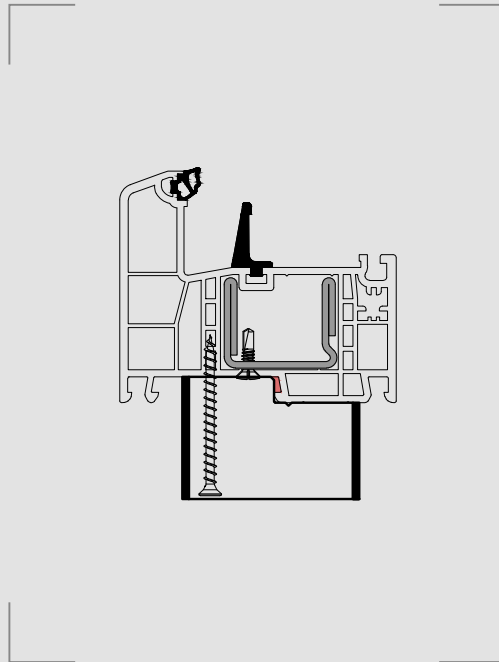


Sill Connection Profile PVC/TK REHAU for BT 86

For an ideal thermal separation between the exterior and interior window sill.



Product features:

The blaugelb Sill Connection Profile PVC/TK made of a TK core (thermo-plastic resin) and a two-sided 2 mm PVC top layer (polyvinyl chloride) offers the best possible heat and moisture protection and enables technically and visually clean installation/attachment of the exterior and interior window sill that is individually adapted to the installed plastic or aluminium window – including optimal thermal separation.

The Sill Connection Profile PVC/TK is narrower than the window frame, making it possible to optimally position the interior or exterior window sill. The profile-specific blaugelb Sill Connection Profiles PVC/TK can be produced at heights of 30 to 70 mm. By virtue of the innovative dovetail joint, the blaugelb Sill Connection Profiles PVC/TK can be positively interlocked to create any desired length. The dovetail joint optimises waste, in some cases avoiding waste altogether.

Secure load transfer, even with high element weights

No deformation in the area of the spacer block, preventing impermissible movement when used

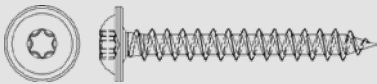
Reduction of service required for window adjustment

Reduction of the thermal bridge between the interior window sill and the exterior window sill guarantees good thermal insulation

Secured screw connection of the aluminium window sill

The contoured mount guarantees quick and easy installation of the profile with the blaugelb Frame Screw Fix FK-T30 or the blaugelb Coupling Screw FK-T30 with drilling bit and precise positioning thanks to the contour cutting. This prevents the formation of a hollow chamber between the sill connection profile and the frame, and airtightness is achieved thanks to the process-safe sealing.

Sealing recommendation: Seal between the window frame and the blaugelb Sill Connection Profile with blaugelb Hybrid Polymer Crystal (item no. 0426600). To screw onto the window sill, we recommend a window sill screw with pressed-on washer in A2 4.5x35 mm item no. 9024210, RAL 9016 4.5x35 mm item no. 9071019 or RAL 7016 4.5x35 mm item no. 9071018.



Product benefits:

- provides technically and visually clean support for the exterior and interior window sill
- secure load transfer, even with high element weights
- the flat flanks ensure no deformation in the area of the spacer block perpendicular to the window plane, thus preventing impermissible movement when used
- reduction of service required for window adjustment
- reduction of the thermal bridge between the interior window sill and the exterior window sill guarantees good thermal insulation
- suitable for all plastic and/or aluminium windows due to individual cutting
- suitable for stone and aluminium window sills due to the overall height of 35 and 40 mm
- secured screw connection of the aluminium window sill
- dovetail joint for unlimited extension
- area of application in new and old buildings
- recyclable
- one solution for all profile systems
- quick and easy to fit thanks to innovative dovetail joint
- tested to be very low in emissions according to EMICODE® EC1 Plus

Technical data:

Surface and top layer:	On both sides 2 mm PVC white
Material:	Thermoplastic resin (TK)
Compressive load bearing capacity at 60 x 40 mm: (blaugelb Spacer Block)	4,440 N
Compressive load bearing capacity at 170 x 53 mm: (blaugelb Shim Block HST)	16,669 N
Compressive load bearing capacity at 210 x 53 mm: (blaugelb Shim Block HST)	20,628 N
Thermal transmittance value U-value at 55 mm:	0.696 W/m²K
Airborne sound insulation: DIN EN ISO 717-1:2021-05 / DIN 4109-4	60 mm: R_w 33.5 dB ± 1.2 dB
Dimensional stability:	Very high, including outdoor weathering
Water absorption after 28 days under water: DIN 12087	≤ 0.5 vol. %
Screw withdrawal values: blaugelb Frame Screw Fix FK-T30 7.5 x L mm 60 mm screw-in depth	X-axis: F_{RK} 4.06 kN Y-axis: F_{RK} 3.67 kN

UV-resistance of the PVC top layer: DIN EN 513 (irradiation energy 12 GJ/m² or outdoor weathering over 5 years)	Fastness to weathering and light: No colour variations occur that exceed grey scale grade 4 according to ISO 105-A03
Waste code:	AVV 070213

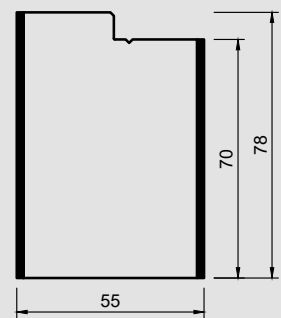
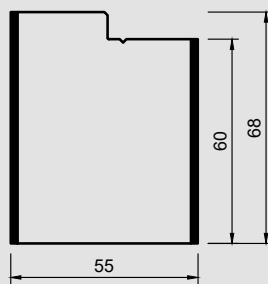
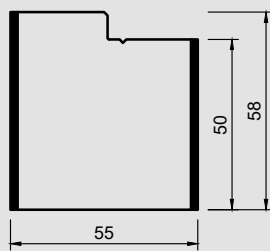
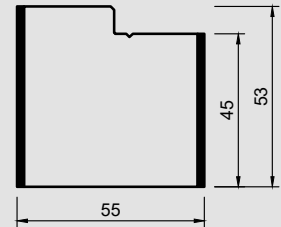
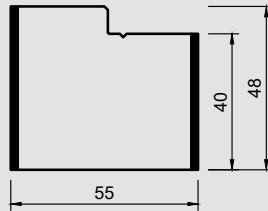
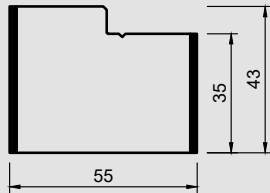
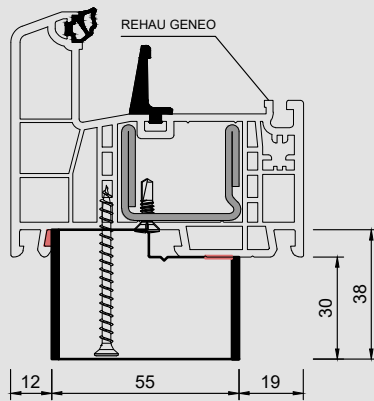
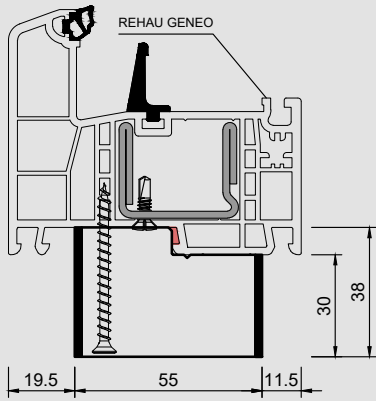
Product name	PU	Item no.
blaugelb Sill Connection Profile PVC/TK 55 x 30 x 3000 mm REHAU for BT 86	1 piece	3100003210
blaugelb Sill Connection Profile PVC/TK 55 x 30 x 4000 mm REHAU for BT 86	1 piece	3100003217
blaugelb Sill Connection Profile PVC/TK 55 x 35 x 3000 mm REHAU for BT 86	1 piece	3100003211
blaugelb Sill Connection Profile PVC/TK 55 x 35 x 4000 mm REHAU for BT 86	1 piece	3100003218
blaugelb Sill Connection Profile PVC/TK 55 x 40 x 3000 mm REHAU for BT 86	1 piece	3100003212
blaugelb Sill Connection Profile PVC/TK 55 x 40 x 4000 mm REHAU for BT 86	1 piece	3100003219
blaugelb Sill Connection Profile PVC/TK 55 x 45 x 3000 mm REHAU for BT 86	1 piece	3100003213
blaugelb Sill Connection Profile PVC/TK 55 x 45 x 4000 mm REHAU for BT 86	1 piece	3100003220
blaugelb Sill Connection Profile PVC/TK 55 x 50 x 3000 mm REHAU for BT 86	1 piece	3100003214
blaugelb Sill Connection Profile PVC/TK 55 x 50 x 4000 mm REHAU for BT 86	1 piece	3100003221
blaugelb Sill Connection Profile PVC/TK 55 x 60 x 3000 mm REHAU for BT 86	1 piece	3100003215
blaugelb Sill Connection Profile PVC/TK 55 x 60 x 4000 mm REHAU for BT 86	1 piece	3100003222
blaugelb Sill Connection Profile PVC/TK 55 x 70 x 3000 mm REHAU for BT 86	1 piece	3100003216
blaugelb Sill Connection Profile PVC/TK 55 x 70 x 4000 mm REHAU for BT 86	1 piece	3100003223

Delivery and storage form:

Store in its original packaging. Current packaging: Use of a PE stretch film.

Safety note:

According to the available specifications and guidelines, the product is not a hazardous substance.



The information provided in this document corresponds to the information and technical details available to the best of our knowledge. However, this does not constitute a guarantee pursuant to section 443 of the German Civil Code (BGB). Our processing instructions are to be considered only as general guidelines and may differ in the individual case due to the range of possible uses and applications. They do therefore not automatically exempt the user from carrying out their own tests. We reserve the right to make technical modifications and enhancements at any time.