

Dovetail joint guarantees infinite extension with no waste.



blaugelb Plinth Thermal Insulation Profile EPS

For perfect insulation results.

- **100 % recyclable**
- **100 % HCFC, HFC and HBCD-free**
- **High-density (expanded) polystyrene**
- **High ductility**
- **Infinitely extensible by dovetailing**

Product features:

The blaugelb blaugelb Plinth Thermal Insulation Profile EPS is made from a high-density EPS (expanded polystyrene) and offers the best possible heat and moisture protection on front doors and balcony doors made from wood, wood/aluminium, aluminium and plastic. The blaugelb blaugelb Plinth Thermal Insulation Profile EPS is sturdy, durable and is exceptionally quick and easy to fit. The blaugelb blaugelb Plinth Thermal Insulation Profile EPS provides thermal insulation and reduces the scope of conventional plastic profiles to form thermal bridges. It is dimensionally stable, 100 % free of HCFCs, HFCs and HBCDs and tested to be low in pollutants according to EMICODE EC1 Plus. The blaugelb blaugelb Plinth Thermal Insulation Profile EPS was specially developed for fitting as a substructure thermal insulation profile under thresholds.

By virtue of the innovative dovetail joint, the blaugelb blaugelb Plinth Thermal Insulation Profile EPS can be positively interlocked, to create any desired length. The dovetail joint reduces the amount of waste, possibly even avoiding waste altogether, while the 1,175 mm length of the individual profiles is ideal for transport and storage (Europallet). Thanks to its low weight and compact dimensions, the blaugelb blaugelb Plinth Thermal Insulation Profile EPS is unbeatably quick and straightforward to process.

With the tongue and groove joint, the two blaugelb blaugelb Plinth Thermal Insulation Profiles EPS which are to be joined have a groove on one edge and a tongue on the other edge and can be coupled in height one under the other.

Product benefits:

Benefits of plinth thermal insulation using the blaugelb blaugelb Plinth Thermal Insulation Profile EPS:

- Effective insulation offering high potential savings
- blaugelb Plinth thermal insulation permanently eliminates energy weak points on components installed on floor slabs and enhances indoor comfort
- blaugelb Plinth thermal insulation using the blaugelb blaugelb Plinth Thermal Insulation Profile EPS prevents damage caused by moisture and mould

Benefits of dovetail joints:

- Quick and easy to fit
- Mobile - for workshop or building site use
- No metal fasteners required
- Can be infinitely extended in length and coupled in height
- No waste

Technical data:

Material:	High-density EPS (expanded polystyrene), high ductility
Colour:	Grey
Compressive load bearing capacity at max. total deformation of 2 %:	1,260 kg/dm ²

Compressive load bearing capacity at 60 x 40 mm: (blaugelb Spacer Block)	5,800 N
Compressive load bearing capacity at 210 x 53 mm: (blaugelb Shim Block HST)	15,510 N
Fire behaviour: DIN 4102-1:1998-05	B2
Fire behaviour: DIN EN 13501-1:2019-05	Class E
Thermal conductivity nominal value λ_{10} : DIN EN 12667:2001-05	0.0403 W/m ² ·K
Water vapour diffusion resistance: DIN EN ISO 12086	228 μ
Air permeability: EN 12207	Class 4
Bending strength: DIN EN 12089	$\geq 2,490$ kPa
Compression stress (2 %) compression: DIN EN DIN EN 13163:2017 / EN 826:2013-05	$\geq 1,435$ kPa
Shear strength: DIN EN ISO 14130	0.217 N/mm ²
Dimensional strength: DIN ISO 75-1	Short-term up to +95 °C Long-term up to +85 °C
Dimensional stability: DIN EN 13163:2015-04	Very high, including outdoor weathering
Water absorption after 28 days under water: DIN 12087	≤ 0.5 vol. %
Screw withdrawal values: blaugelb Frame Screw Fix FK-T30 7.5 x 42 mm sfs window sill screw 4.5 x 35 mm	$F_{RK,AZ}$ 1,200 N $F_{RK,AZ}$ 510 N
Compatibility with conventional building materials:	Compatible, except for solvents, solvent-bearing materials and materials that are not polystyrene-compatible
Ageing resistance:	Mould-proof, does not rot
Waste code:	Code no. 170604 Code no. 170904

If carried out properly according to DIN 18195-4 and based on DIN 68800-2, fig. A.11-14, sealing offers sufficient protection against moisture, particularly for:

- rising moisture from below (floor slab)
- moisture stresses from the outside (driving rain)
- moisture stresses from the inside (condensate, diffusion tightness)
- lateral moisture stresses from the brickwork

In consultation with the parties responsible for structural waterproofing, ensure that solvent-free sealing sheets which do not promote burning are used. The blaugelb blaugelb Plinth Thermal Insulation Profile EPS is sealed against the frame of the structural element with a pasty polymer sealant blaugelb Hybrid Polymer Power Fix and secured mechanically with self-tapping screws.

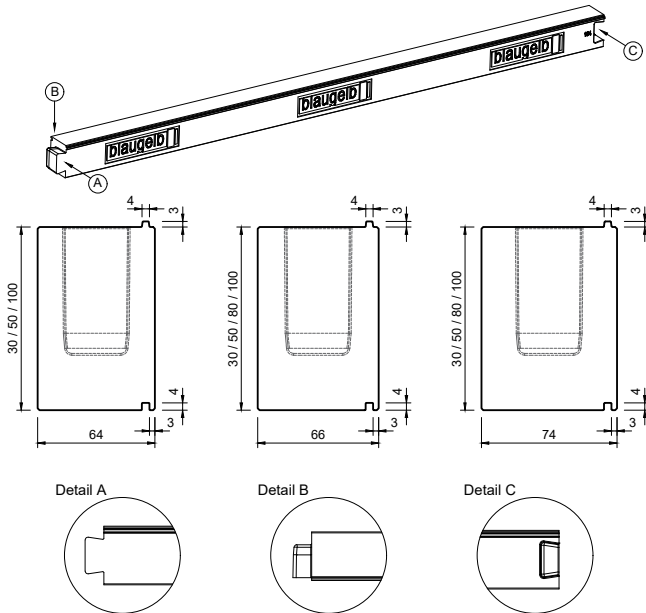
Product name	PU	Item no.
blaugelb Plinth Thermal Insulation Profile EPS 30x64x1175 mm	Bundle of 20 St.	0420841
blaugelb Plinth Thermal Insulation Profile EPS 50x64x1175 mm	Bundle of 12 St.	0420842
blaugelb Plinth Thermal Insulation Profile EPS 100x64x1175 mm	Bundle of 6 St.	9067823
blaugelb Plinth Thermal Insulation Profile EPS 30x66x1175 mm	Bundle of 20 St.	9131504
blaugelb Plinth Thermal Insulation Profile EPS 50x66x1175 mm	Bundle of 12 St.	9131505
blaugelb Plinth Thermal Insulation Profile EPS 80x66x1175 mm	Bundle of 12 St.	9131506

blaugelb Plinth Thermal Insulation Profile EPS

For perfect insulation results.



Product name	PU	Item no.
blaugelb Plinth Thermal Insulation Profile EPS 100x66x1175 mm	Bundle of 8 St.	9131507
blaugelb Plinth Thermal Insulation Profile EPS 30x74x1175 mm	Bundle of 25 St.	9131508
blaugelb Plinth Thermal Insulation Profile EPS 50x74x1175 mm	Bundle of 20 St.	9131509
blaugelb Plinth Thermal Insulation Profile EPS 80x74x1175 mm	Bundle of 9 St.	9131510
blaugelb Plinth Thermal Insulation Profile EPS 100x74x1175 mm	Bundle of 6 St.	9131492



Delivery and storage form:

Store in its original packaging. Current packaging: Use of a PE stretch film dyed white, UV-stable for 6 months of POLYETHYLENE FS 340-03 and LL 118 BLEND.

Disposal:

According to Waste Catalogue Ordinance:

Code no. 170604 (single-grade insulating material EPS)

Code no. 170904 (mixed construction waste)

Safety note:

According to the available specifications and guidelines, the product is not a hazardous substance.