



Available colours/finishes:



blaugelb Knob Handle Set 1/2 BGT35/92/210 outside

Suitable for doors made from wood, plastic and metal.

- High-quality materials and finishes
- Concealed screws

blaugelb Knob Handle Set ½ BGT35/92/210 outside

Suitable for doors made from wood, plastic and metal.



Product features:

The blaugelb Knob Handle Set ½ BGT35/92/210 outside with a plate width of 35 mm (PZ92 spacing) is suitable for wooden, plastic and metal exterior doors. The set can be combined with a blaugelb ½ DGT35/92/210 inside.

The blaugelb Knob Handle Set ½ BGT35/92/210 outside is available in various surface colours in aluminium, as well as in fine matt stainless steel and PVD coated. The set is mounted by means of concealed screws.

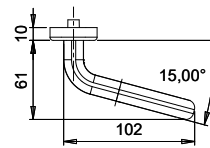
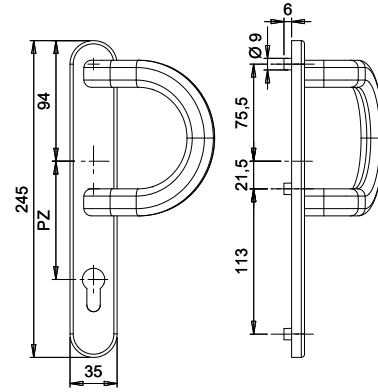
Product benefits:

- High-quality materials and finishes
- Concealed screws

Technical data:

Material:	aluminium or stainless steel
Lever mounting:	fixed/pivoting
Lever square socket:	8 mm
Plate dimensions:	35 x 245 mm
Plate height:	10 mm
Profile cylinder spacing:	92 mm
Fastening:	concealed screws, 3xM6
Packing unit:	1 set (without fastening set)

Product name	PU	Item no.
blaugelb Knob Handle Set ½ BGT35/92/210 outside AL F1 (silver)	1 piece	9050158
blaugelb Knob Handle Set ½ BGT35/92/210 outside AL F9 (steel-coloured)	1 piece	9050159
blaugelb Knob Handle Set ½ BGT35/92/210 outside AL RAL 9016 (white)	1 piece	9050160
blaugelb Knob Handle Set ½ BGT35/92/210 outside AL RAL 8077 (brown)	1 piece	9050161
blaugelb Knob Handle Set ½ BGT35/92/210 outside stainless steel PVD gold coating	1 piece	9050162
blaugelb Knob Handle Set ½ BGT35/92/210 outside stainless steel Fine matt	1 piece	9050163



Accessories:

Fastening set for 8 mm socket:

Product name	PU	Item no.
Fastening set BGT and KGT35/92/210 TS 53 - 57 mm 1 pin 8x75 mm / 3 screws M6x65 mm	1 set	9035823
Fastening set BGT and KGT35/92/210 TS 58 - 62 mm 1 pin 8x75 mm / 3 screws M6x70 mm	1 set	9035824
Fastening set BGT and KGT35/92/210 TS 63 - 67 mm 1 pin 8x100 mm / 3 screws M6x75 mm	1 set	9035825
Fastening set BGT and KGT35/92/210 TS 68 - 72 mm 1 pin 8x100 mm / 3 screws M6x80 mm	1 set	9035826
Fastening set BGT and KGT35/92/210 TS 73 - 77 mm 1 pin 8x100 mm / 3 screws M6x85 mm	1 set	9035827
Fastening set BGT and KGT35/92/210 TS 78 - 82 mm 1 pin 8x100 mm / 3 screws M6x90 mm	1 set	9035828
Fastening set BGT and KGT35/92/210 TS 83 - 87 mm 1 pin 8x100 mm / 3 screws M6x95 mm	1 set	9035829
Fastening set BGT and KGT35/92/210 TS 88 - 92 mm 1 pin 8x120 mm / 3 screws M6x100 mm	1 set	9035830

Fastening set for 10 mm socket:

Product name	PU	Item no.
Fastening set BGT and KGT35/92/210 N10 TS 53 - 57 mm 1 pin 8/10x70 mm / 3 screws M6x65 mm	1 set	9065860
Fastening set BGT and KGT35/92/210 N10 TS 58 - 62 mm 1 pin 8/10x80 mm / 3 screws M6x70 mm	1 set	9035836
Fastening set BGT and KGT35/92/210 N10 TS 63 - 67 mm 1 pin 8/10x95 mm / 3 screws M6x75 mm	1 set	9035837
Fastening set BGT and KGT35/92/210 N10 TS 68 - 72 mm 1 pin 8/10x95 mm / 3 screws M6x80 mm	1 set	9035838
Fastening set BGT and KGT35/92/210 N10 TS 73 - 77 mm 1 pin 8/10x95 mm / 3 screws M6x85 mm	1 set	9035839
Fastening set BGT and KGT35/92/210 N10 TS 78 - 82 mm 1 pin 8/10x95 mm / 3 screws M6x90 mm	1 set	9065861
Fastening set BGT and KGT35/92/210 N10 TS 83 - 87 mm 1 pin 8/10x95 mm / 3 screws M6x95 mm	1 set	9065862