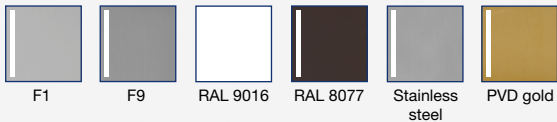


Available colours/finishes:



## blaugelb Lever Handle Set ½ DGT35/92/210 inside

Suitable for doors made from wood, plastic and metal.

- Holding mechanism for precise lever position
- Side latches for stable fixing to the baseplate
- High-quality materials and finishes
- Concealed screws
- Fixing dowels can be used for one-sided fastening

# blaugelb Lever Handle Set ½ DGT35/92/210 inside

Suitable for doors made from wood, plastic and metal.



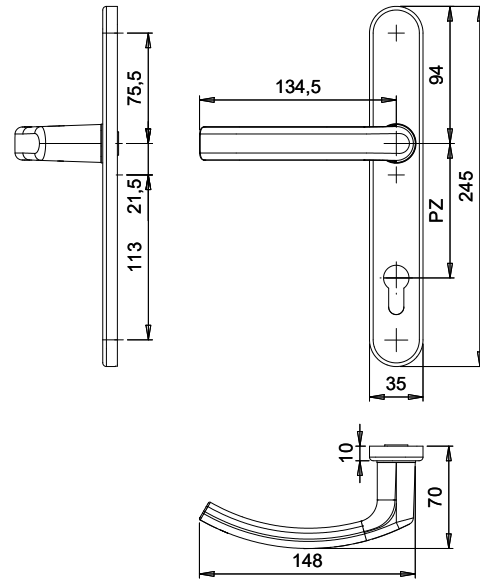
## Product features:

The blaugelb Lever Handle Set ½ DGT35/92/210 inside with a plate width of 35 mm (PZ92 spacing) is suitable for exterior doors made from wood, plastic and metal. It is equipped with a return mechanism for precise positioning of the lever.

The inner plate of the blaugelb Lever Handle Set ½ DGT35/92/210 inside can easily be removed and fitted thanks to the side latches. The set is mounted by means of concealed screws.

The blaugelb Lever Handle ½ DGT35/92/210 inside can be combined with a push handle (one-sided fastening using fixing dowels) or a blaugelb ½ DGT/KGT/BGT35/92/210 outside (fastening in pairs by means of fastening set; not supplied).

The blaugelb Lever Handle Set ½ DGT35/92/210 inside is available in various surface colours in aluminium, as well as in fine matt stainless steel.



## Product benefits:

- Holding mechanism for precise lever position
- Side latches for stable fixing to the baseplate
- High-quality materials and finishes
- Concealed screws
- Fixing dowels can be used for one-sided fastening

## Accessories:

Product name	PU	Item no.
blaugelb Fixing Dowel M5 x 25 incl. screws	2 pieces	9035822

## Technical data:

Material:	Aluminium or fine matt stainless steel
Lever mounting:	fixed/pivoting/return mechanism
Lever square socket:	8 mm
Plate dimensions:	35 x 245 mm
Plate height:	10 mm
Profile cylinder spacing:	92 mm
Fastening:	concealed screws, 3xM6
Packing unit:	1 set (without fastening set)

Product name	PU	Item no.
blaugelb Lever Handle Set ½ DGT35/92/210 inside PZ92 AL <b>F1 (silver)</b>	1 piece	0169702
blaugelb Lever Handle Set ½ DGT35/92/210 inside PZ92 AL <b>F9 (steel-coloured)</b>	1 piece	0169703
blaugelb Lever Handle Set ½ DGT35/92/210 inside PZ92 AL <b>RAL 9016 (white)</b>	1 piece	0169705
blaugelb Lever Handle Set ½ DGT35/92/210 inside PZ92 AL <b>RAL 8077 (brown)</b>	1 piece	0223544
blaugelb Lever Handle Set ½ DGT35/92/210 inside PZ92 stainless steel <b>PVD gold coating</b>	1 piece	0198175
blaugelb Lever Handle Set ½ DGT35/92/210 inside PZ92 stainless steel <b>Fine matt</b>	1 piece	0223546

The information provided in this document corresponds to the information and technical details available to the best of our knowledge. However, this does not constitute a guarantee pursuant to section 443 of the German Civil Code (BGB). Our processing instructions are to be considered only as general guidelines and may differ in the individual case due to the range of possible uses and applications. They do therefore not automatically exempt the user from carrying out their own tests. We reserve the right to make technical modifications and enhancements at any time.