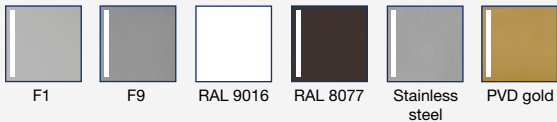




Available colours/finishes:



## blaugelb Knob Handle Set 1/2 KGT35/92/210 outside

Suitable for doors made from wood, plastic and metal.

- High-quality materials and finishes
- Concealed screws

# blaugelb Knob Handle Set ½ KGT35/92/210 outside

Suitable for doors made from wood, plastic and metal.



## Product features:

The blaugelb Knob Handle Set ½ KGT35/92/210 outside with a plate width of 35 mm (PZ92 spacing) is suitable for wooden, plastic and metal exterior doors. The set can be combined with a blaugelb ½ DGT35/92/210 inside.

The blaugelb Knob Handle Set ½ KGT35/92/210 outside is available in various surface colours in aluminium, as well as in fine matt stainless steel and PVD coated. The set is mounted by means of concealed screws.

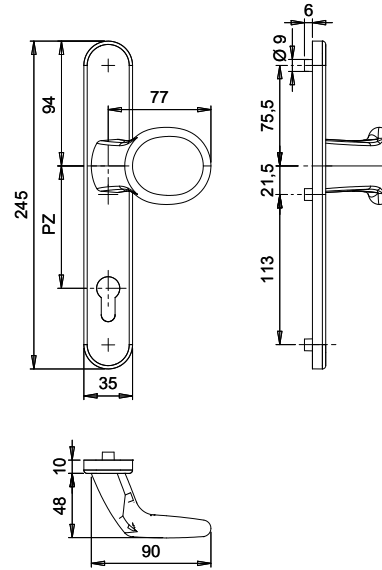
## Product benefits:

- High-quality materials and finishes
- Concealed screws

## Technical data:

Material:	aluminium or stainless steel
Lever mounting:	fixed/pivoting
Lever square socket:	8 mm
Plate dimensions:	35 x 245 mm
Plate height:	10 mm
Profile cylinder spacing:	92 mm
Fastening:	concealed screws, 3xM6
Packing unit:	1 set (without fastening set)

Product name	PU	Item no.
blaugelb Knob Handle Set ½ KGT35/92/210 outside AL <b>F1 (silver)</b>	1 piece	0169710
blaugelb Knob Handle Set ½ KGT35/92/210 outside AL <b>F9 (steel-coloured)</b>	1 piece	9050164
blaugelb Knob Handle Set ½ KGT35/92/210 outside AL <b>RAL 9016 (white)</b>	1 piece	0169713
blaugelb Knob Handle Set ½ KGT35/92/210 outside AL <b>RAL 8077 (brown)</b>	1 piece	9050165
blaugelb Knob Handle Set ½ KGT35/92/210 outside stainless steel <b>PVD gold coating</b>	1 piece	9050166
blaugelb Knob Handle Set ½ KGT35/92/210 outside stainless steel <b>Fine matt</b>	1 piece	0282918



## Accessories:

Fastening set for 8 mm socket:

Product name	PU	Item no.
Fastening set BGT and KGT35/92/210 TS 53 - 57 mm 1 pin 8x75 mm / 3 screws M6x65 mm	1 set	9035823
Fastening set BGT and KGT35/92/210 TS 58 - 62 mm 1 pin 8x75 mm / 3 screws M6x70 mm	1 set	9035824
Fastening set BGT and KGT35/92/210 TS 63 - 67 mm 1 pin 8x100 mm / 3 screws M6x75 mm	1 set	9035825
Fastening set BGT and KGT35/92/210 TS 68 - 72 mm 1 pin 8x100 mm / 3 screws M6x80 mm	1 set	9035826
Fastening set BGT and KGT35/92/210 TS 73 - 77 mm 1 pin 8x100 mm / 3 screws M6x85 mm	1 set	9035827
Fastening set BGT and KGT35/92/210 TS 78 - 82 mm 1 pin 8x100 mm / 3 screws M6x90 mm	1 set	9035828
Fastening set BGT and KGT35/92/210 TS 83 - 87 mm 1 pin 8x100 mm / 3 screws M6x95 mm	1 set	9035829
Fastening set BGT and KGT35/92/210 TS 88 - 92 mm 1 pin 8x120 mm / 3 screws M6x100 mm	1 set	9035830

Fastening set for 10 mm socket:

Product name	PU	Item no.
Fastening set BGT and KGT35/92/210 N10 TS 53 - 57 mm 1 pin 8/10x70 mm / 3 screws M6x65 mm	1 set	9065860
Fastening set BGT and KGT35/92/210 N10 TS 58 - 62 mm 1 pin 8/10x80 mm / 3 screws M6x70 mm	1 set	9035836
Fastening set BGT and KGT35/92/210 N10 TS 63 - 67 mm 1 pin 8/10x95 mm / 3 screws M6x75 mm	1 set	9035837
Fastening set BGT and KGT35/92/210 N10 TS 68 - 72 mm 1 pin 8/10x95 mm / 3 screws M6x80 mm	1 set	9035838
Fastening set BGT and KGT35/92/210 N10 TS 73 - 77 mm 1 pin 8/10x95 mm / 3 screws M6x85 mm	1 set	9035839
Fastening set BGT and KGT35/92/210 N10 TS 78 - 82 mm 1 pin 8/10x95 mm / 3 screws M6x90 mm	1 set	9065861
Fastening set BGT and KGT35/92/210 N10 TS 83 - 87 mm 1 pin 8/10x95 mm / 3 screws M6x95 mm	1 set	9065862