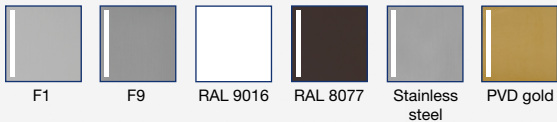




Available colours/finishes:



blaugelb Knob Handle Set 1/2 KGT35/92/210 outside ZA

Suitable for doors made from wood, plastic and metal.

- Increased safety thanks to core pulling protection
- High-quality materials and finishes
- Concealed screws

blaugelb Knob Handle Set ½ KGT35/92/210 outside ZA

Suitable for doors made from wood, plastic and metal.



Product features:

The blaugelb Knob Handle Set ½ KGT35/92/210 outside ZA with a plate width of 35 mm (PZ92 spacing) and core pulling protection is suitable for wooden, plastic and metal exterior doors. The set can be combined with a blaugelb ½ DGT35/92/210 inside.

The blaugelb Knob Handle Set ½ KGT35/92/210 outside ZA is available in various surface colours in aluminium, as well as in fine matt stainless steel and PVD coated. The set is mounted by means of concealed screws.

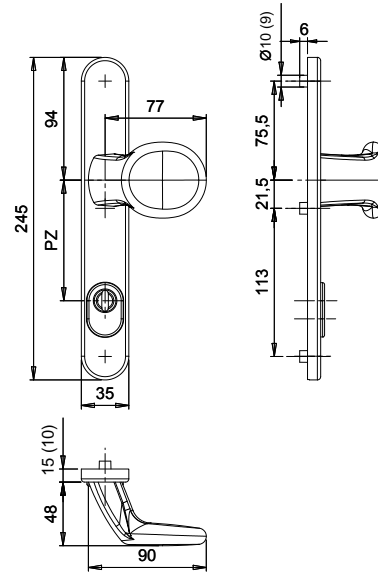
Product benefits:

- Increased safety thanks to core pulling protection
- High-quality materials and finishes
- Concealed screws

Technical data:

Material:	aluminium or stainless steel
Lever mounting:	fixed/pivoting
Lever square socket:	8 mm
Plate dimensions:	35 x 245 mm
Plate height:	15 mm (stainless steel 10 mm)
Profile cylinder spacing:	92 mm
Cylinder protrusion:	12 - 17 mm (stainless steel 9 - 12 mm)
Fastening:	concealed screws, 3xM6
Packing unit:	1 set (without fastening set)

Product name	PU	Item no.
blaugelb Knob Handle Set ½ KGT35/92/210 outside ZA AL F1 (silver)	1 piece	0376375
blaugelb Knob Handle Set ½ KGT35/92/210 outside ZA AL F9 (steel-coloured)	1 piece	9050167
blaugelb Knob Handle Set ½ KGT35/92/210 outside ZA AL RAL 9016 (white)	1 piece	0376376
blaugelb Knob Handle Set ½ KGT35/92/210 outside ZA AL RAL 8077 (brown)	1 piece	0376377
blaugelb Knob Handle Set ½ KGT35/92/210 outside ZA stainless steel PVD gold coating	1 piece	9050168
blaugelb Knob Handle Set ½ KGT35/92/210 outside ZA stainless steel Fine matt	1 piece	0376373



Accessories:

Fastening set for 8 mm socket:

Product name	PU	Item no.
Fastening set BGT and KGT35/92/210 TS 53 - 57 mm 1 pin 8x75 mm / 3 screws M6x65 mm	1 set	9035823
Fastening set BGT and KGT35/92/210 TS 58 - 62 mm 1 pin 8x75 mm / 3 screws M6x70 mm	1 set	9035824
Fastening set BGT and KGT35/92/210 TS 63 - 67 mm 1 pin 8x100 mm / 3 screws M6x75 mm	1 set	9035825
Fastening set BGT and KGT35/92/210 TS 68 - 72 mm 1 pin 8x100 mm / 3 screws M6x80 mm	1 set	9035826
Fastening set BGT and KGT35/92/210 TS 73 - 77 mm 1 pin 8x100 mm / 3 screws M6x85 mm	1 set	9035827
Fastening set BGT and KGT35/92/210 TS 78 - 82 mm 1 pin 8x100 mm / 3 screws M6x90 mm	1 set	9035828
Fastening set BGT and KGT35/92/210 TS 83 - 87 mm 1 pin 8x100 mm / 3 screws M6x95 mm	1 set	9035829
Fastening set BGT and KGT35/92/210 TS 88 - 92 mm 1 pin 8x120 mm / 3 screws M6x100 mm	1 set	9035830

Fastening set for 10 mm socket:

Product name	PU	Item no.
Fastening set BGT and KGT35/92/210 N10 TS 53 - 57 mm 1 pin 8/10x70 mm / 3 screws M6x65 mm	1 set	9065860
Fastening set BGT and KGT35/92/210 N10 TS 58 - 62 mm 1 pin 8/10x80 mm / 3 screws M6x70 mm	1 set	9035836
Fastening set BGT and KGT35/92/210 N10 TS 63 - 67 mm 1 pin 8/10x95 mm / 3 screws M6x75 mm	1 set	9035837
Fastening set BGT and KGT35/92/210 N10 TS 68 - 72 mm 1 pin 8/10x95 mm / 3 screws M6x80 mm	1 set	9035838
Fastening set BGT and KGT35/92/210 N10 TS 73 - 77 mm 1 pin 8/10x95 mm / 3 screws M6x85 mm	1 set	9035839
Fastening set BGT and KGT35/92/210 N10 TS 78 - 82 mm 1 pin 8/10x95 mm / 3 screws M6x90 mm	1 set	9065861
Fastening set BGT and KGT35/92/210 N10 TS 83 - 87 mm 1 pin 8/10x95 mm / 3 screws M6x95 mm	1 set	9065862

The information provided in this document corresponds to the information and technical details available to the best of our knowledge. However, this does not constitute a guarantee pursuant to section 443 of the German Civil Code (BGB). Our processing instructions are to be considered only as general guidelines and may differ in the individual case due to the range of possible uses and applications. They do therefore not automatically exempt the user from carrying out their own tests. We reserve the right to make technical modifications and enhancements at any time.