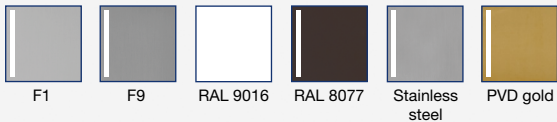




Available colours/finishes:



blaugelb Lever Handle Set DGT35/92/210

Suitable for doors made from wood, plastic and metal.

- Holding mechanism for precise lever position
- Side latches for stable fixing to the baseplate
- High-quality materials and finishes
- Concealed screws

blaugelb Lever Handle Set DGT35/92/210

Suitable for doors made from wood, plastic and metal.



Product features:

The blaugelb Lever Handle Set DGT35/92/210 with a plate width of 35 mm (PZ92 spacing) is suitable for exterior doors made from wood, plastic and metal. It is equipped with a return mechanism for precise positioning of the lever.

The inner plate of the blaugelb Lever Handle Set DGT35/92/210 can easily be removed and fitted thanks to the side latches. The set is mounted by means of concealed screws.

The blaugelb Lever Handle Set DGT35/92/210 is available in various surface colours in aluminium, as well as in fine matt stainless steel and PVD coated.

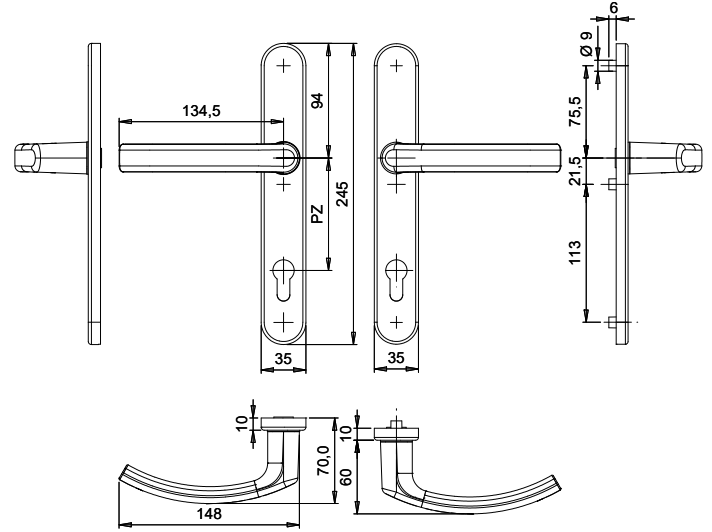
Product benefits:

- Holding mechanism for precise lever position
- Side latches for stable fixing to the baseplate
- High-quality materials and finishes
- Concealed screws

Technical data:

Material:	aluminium or stainless steel
Lever mounting:	fixed/pivoting/return mechanism
Lever square socket:	8 mm
Plate dimensions:	35 x 245 mm
Plate height:	10 mm
Profile cylinder spacing:	92 mm
Fastening:	concealed screws, 3xM6
Packing unit:	1 set (without fastening set)

Product name	PU	Item no.
blaugelb Lever Handle Set DGT35/92/210 AL F1 (silver)	1 piece	0169698
blaugelb Lever Handle Set DGT35/92/210 AL F9 (steel-coloured)	1 piece	0169699
blaugelb Lever Handle Set DGT35/92/210 AL RAL 9016 (white)	1 piece	0169701
blaugelb Lever Handle Set DGT35/92/210 AL RAL 8077 (brown)	1 piece	0223532
blaugelb Lever Handle Set DGT35/92/210 stainless steel PVD gold coating	1 piece	0198169
blaugelb Lever Handle Set DGT35/92/210 stainless steel Fine matt	1 piece	0223533



Accessories:

Fastening set for 8 mm socket:

Product name	PU	Item no.
Fastening set DGT and NGT/92/210 TS 53 - 57 mm 1 pin 8x120 mm / 3 screws M6x65 mm	1 set	9035814
Fastening set DGT and NGT/92/210 TS 58 - 62 mm 1 pin 8x120 mm / 3 screws M6x70 mm	1 set	9035815
Fastening set DGT and NGT/92/210 TS 63 - 67 mm 1 pin 8x130 mm / 3 screws M6x75 mm	1 set	9035816
Fastening set DGT and NGT/92/210 TS 68 - 72 mm 1 pin 8x130 mm / 3 screws M6x80 mm	1 set	9035817
Fastening set DGT and NGT/92/210 TS 73 - 77 mm 1 pin 8x130 mm / 3 screws M6x85 mm	1 set	9035818
Fastening set DGT and NGT/92/210 TS 78 - 82 mm 1 pin 8x130 mm / 3 screws M6x90 mm	1 set	9035819
Fastening set DGT and NGT/92/210 TS 83 - 87 mm 1 pin 8x140 mm / 3 screws M6x95 mm	1 set	9035820
Fastening set DGT and NGT/92/210 TS 88 - 92 mm 1 pin 8x150 mm / 3 screws M6x100 mm	1 set	9035821

Fastening set for 10 mm socket:

Product name	PU	Item no.
Fastening set DGT and NGT/92/210 N10 TS 53 - 57 mm 1 pin 8/10/8x120 mm / 3 screws M6x65 mm	1 set	9035831
Fastening set DGT and NGT/92/210 N10 TS 63 - 67 mm 1 pin 8/10/8x130 mm / 3 screws M6x75 mm	1 set	9035832
Fastening set DGT and NGT/92/210 N10 TS 68 - 72 mm 1 pin 8/10/8x130 mm / 3 screws M6x80 mm	1 set	9035833
Fastening set DGT and NGT/92/210 N10 TS 73 - 77 mm 1 pin 8/10/8x130 mm / 3 screws M6x85 mm	1 set	9035834
Fastening set DGT and NGT/92/210 N10 TS 78 - 82 mm 1 pin 8/10/8x130 mm / 3 screws M6x90 mm	1 set	9065859
Fastening set DGT and NGT/92/210 N10 TS 83 - 87 mm 1 pin 8/10/8x140 mm / 3 screws M6x95 mm	1 set	9035835