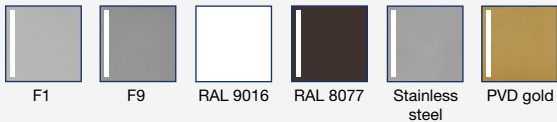




Available colours/finishes:



blaugelb Lever Handle Set DGT35/92/210 ZA

Suitable for doors made from wood, plastic and metal.

- Holding mechanism for precise lever position
- Increased safety thanks to core pulling protection
- Side latches for stable fixing to the baseplate
- High-quality materials and finishes
- Concealed screws

blaugelb Lever Handle Set DGT35/92/210 ZA

Suitable for doors made from wood, plastic and metal.



Product features:

The blaugelb Lever Handle Set DGT35/92/210 ZA with a plate width of 35 mm (PZ92 spacing) and core pulling protection is suitable for wooden, plastic and metal exterior doors. It is equipped with a return mechanism for precise positioning of the lever.

The inner plate of the blaugelb Lever Handle Set DGT35/92/210 ZA can easily be removed and fitted thanks to the side latches. The set is mounted by means of concealed screws.

The blaugelb Lever Handle Set DGT35/92/210 ZA is available in various surface colours in aluminium, as well as in fine matt stainless steel and PVD coated.

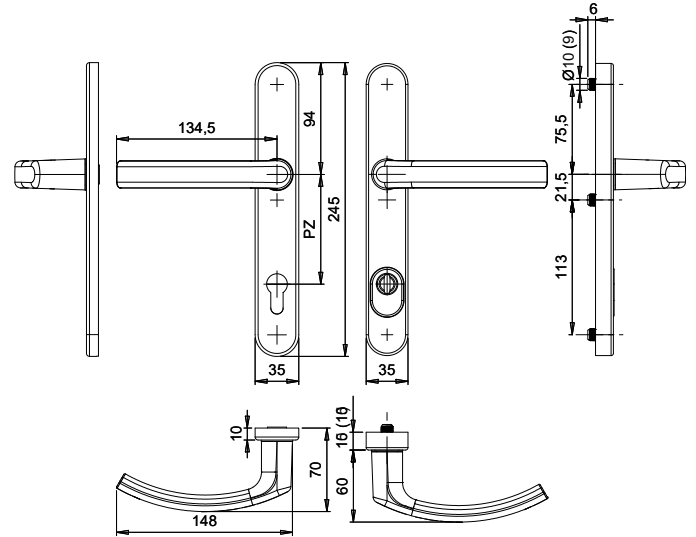
Product benefits:

- Holding mechanism for precise lever position
- Increased safety thanks to core pulling protection
- Side latches for stable fixing to the baseplate
- High-quality materials and finishes
- Concealed screws

Technical data:

Material:	Aluminium or stainless steel
Lever mounting:	fixed/pivoting
Lever square socket:	8 mm
Plate dimensions:	35 x 245 mm
Plate height:	15 mm (stainless steel 10 mm)
Profile cylinder spacing:	92 mm
Cylinder protrusion:	12 - 17 mm (stainless steel 9 - 12 mm)
Fastening:	concealed screws, 3xM6
Packing unit:	1 set (without fastening set)

Product name	PU	Item no.
blaugelb Lever Handle Set DGT35/92/210 ZA AL F1 (silver)	1 piece	0223538
blaugelb Lever Handle Set DGT35/92/210 ZA AL F9 (steel-coloured)	1 piece	0223541
blaugelb Lever Handle Set DGT35/92/210 ZA AL RAL 9016 (white)	1 piece	0223542
blaugelb Lever Handle Set DGT35/92/210 ZA AL RAL 8077 (brown)	1 piece	0223540
blaugelb Lever Handle Set DGT35/92/210 ZA stainless steel PVD gold coating	1 piece	0226270
blaugelb Lever Handle Set DGT35/92/210 ZA stainless steel Fine matt	1 piece	0223543



Accessories:

Fastening set for 8 mm socket:

Product name	PU	Item no.
Fastening set DGT and NGT/92/210 TS 53 - 57 mm 1 pin 8x120 mm / 3 screws M6x65 mm	1 set	9035814
Fastening set DGT and NGT/92/210 TS 58 - 62 mm 1 pin 8x120 mm / 3 screws M6x70 mm	1 set	9035815
Fastening set DGT and NGT/92/210 TS 63 - 67 mm 1 pin 8x130 mm / 3 screws M6x75 mm	1 set	9035816
Fastening set DGT and NGT/92/210 TS 68 - 72 mm 1 pin 8x130 mm / 3 screws M6x80 mm	1 set	9035817
Fastening set DGT and NGT/92/210 TS 73 - 77 mm 1 pin 8x130 mm / 3 screws M6x85 mm	1 set	9035818
Fastening set DGT and NGT/92/210 TS 78 - 82 mm 1 pin 8x130 mm / 3 screws M6x90 mm	1 set	9035819
Fastening set DGT and NGT/92/210 TS 83 - 87 mm 1 pin 8x140 mm / 3 screws M6x95 mm	1 set	9035820
Fastening set DGT and NGT/92/210 TS 88 - 92 mm 1 pin 8x150 mm / 3 screws M6x100 mm	1 set	9035821

Fastening set for 10 mm socket:

Product name	PU	Item no.
Fastening set DGT and NGT/92/210 N10 TS 53 - 57 mm 1 pin 8/10/8x120 mm / 3 screws M6x65 mm	1 set	9035831
Fastening set DGT and NGT/92/210 N10 TS 63 - 67 mm 1 pin 8/10/8x130 mm / 3 screws M6x75 mm	1 set	9035832
Fastening set DGT and NGT/92/210 N10 TS 68 - 72 mm 1 pin 8/10/8x130 mm / 3 screws M6x80 mm	1 set	9035833
Fastening set DGT and NGT/92/210 N10 TS 73 - 77 mm 1 pin 8/10/8x130 mm / 3 screws M6x85 mm	1 set	9035834
Fastening set DGT and NGT/92/210 N10 TS 78 - 82 mm 1 pin 8/10/8x130 mm / 3 screws M6x90 mm	1 set	9065859
Fastening set DGT and NGT/92/210 N10 TS 83 - 87 mm 1 pin 8/10/8x140 mm / 3 screws M6x95 mm	1 set	9035835