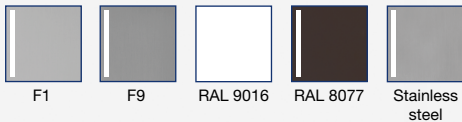


Available colours/finishes:



## blaugelb Lever/Low Lever Handle Set NGT35/92/210

Suitable for doors made from wood, plastic and metal.

- Extra-low lever for special solutions for roller shutters, sun protection etc.
- Holding mechanism for precise lever position
- Side latches for stable fixing to the baseplate
- High-quality materials and finishes
- Concealed screws

# blaugelb Lever/Low Lever Handle Set NGT35/92/210

Suitable for doors made from wood, plastic and metal.



## Product features:

The blaugelb Lever/Low Lever Handle Set NGT35/92/210 with a plate width of 35 mm (PZ92 spacing) is suitable for exterior doors made from wood, plastic and metal. The low (flat) lever is specially designed for exterior doors with roller shutters, sun protection, blinds and insect screens. The blaugelb Lever/Low Lever Handle Set NGT35/92/210 is equipped with a return mechanism for precise positioning of the lever.

The inner plate of the blaugelb Lever/Low Lever Handle Set NGT35/92/210 can easily be removed and fitted thanks to the side latches. The set is mounted by means of concealed screws.

The blaugelb Lever/Low Lever Handle Set NGT35/92/210 is available in various surface colours in aluminium, as well as in fine matt stainless steel.

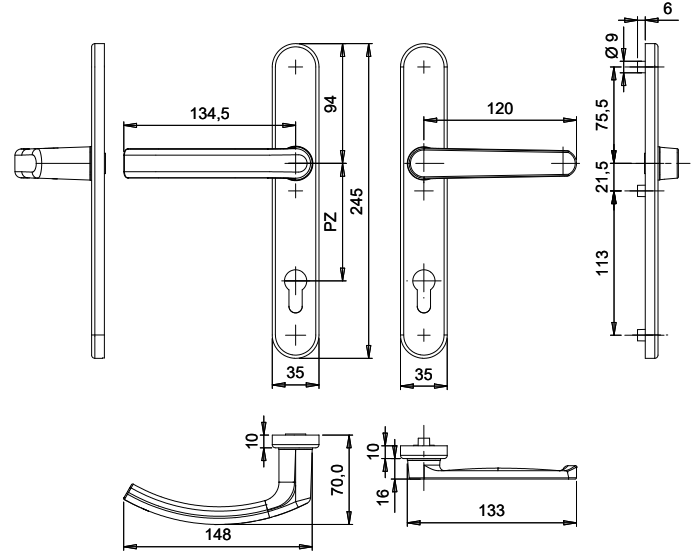
## Product benefits:

- Extra-low lever for special solutions for roller shutters, sun protection etc.
- Holding mechanism for precise lever position
- Side latches for stable fixing to the baseplate
- High-quality materials and finishes
- Concealed screws

## Technical data:

Material:	aluminium or stainless steel
Lever mounting:	fixed/pivoting/return mechanism
Lever square socket:	8 mm
Plate dimensions:	35 x 245 mm
Plate height:	10 mm
Profile cylinder spacing:	92 mm
Fastening:	concealed screws, 3xM6
Packing unit:	1 set (without fastening set)

Product name	PU	Item no.
blaugelb Lever/Low Lever Handle Set NGT35/92/210 AL <b>F1 (silver)</b>	1 piece	0223571
blaugelb Lever/Low Lever Handle Set NGT35/92/210 AL <b>F9 (steel-coloured)</b>	1 piece	0223573
blaugelb Lever/Low Lever Handle Set NGT35/92/210 AL <b>RAL 9016 (white)</b>	1 piece	0223574
blaugelb Lever/Low Lever Handle Set NGT35/92/210 AL <b>RAL 8077 (brown)</b>	1 piece	0223572
blaugelb Lever/Low Lever Handle Set NGT35/92/210 stainless steel <b>Fine matt</b>	1 piece	0232560



## Accessories:

Fastening set for 8 mm socket:

Product name	PU	Item no.
Fastening set DGT and NGT/92/210 TS 53 - 57 mm 1 pin 8x120 mm / 3 screws M6x65 mm	1 set	9035814
Fastening set DGT and NGT/92/210 TS 58 - 62 mm 1 pin 8x120 mm / 3 screws M6x70 mm	1 set	9035815
Fastening set DGT and NGT/92/210 TS 63 - 67 mm 1 pin 8x130 mm / 3 screws M6x75 mm	1 set	9035816
Fastening set DGT and NGT/92/210 TS 68 - 72 mm 1 pin 8x130 mm / 3 screws M6x80 mm	1 set	9035817
Fastening set DGT and NGT/92/210 TS 73 - 77 mm 1 pin 8x130 mm / 3 screws M6x85 mm	1 set	9035818
Fastening set DGT and NGT/92/210 TS 78 - 82 mm 1 pin 8x130 mm / 3 screws M6x90 mm	1 set	9035819
Fastening set DGT and NGT/92/210 TS 83 - 87 mm 1 pin 8x140 mm / 3 screws M6x95 mm	1 set	9035820
Fastening set DGT and NGT/92/210 TS 88 - 92 mm 1 pin 8x150 mm / 3 screws M6x100 mm	1 set	9035821

Fastening set for 10 mm socket:

Product name	PU	Item no.
Fastening set DGT and NGT/92/210 N10 TS 53 - 57 mm 1 pin 8/10/8x120 mm / 3 screws M6x65 mm	1 set	9035831
Fastening set DGT and NGT/92/210 N10 TS 63 - 67 mm 1 pin 8/10/8x130 mm / 3 screws M6x75 mm	1 set	9035832
Fastening set DGT and NGT/92/210 N10 TS 68 - 72 mm 1 pin 8/10/8x130 mm / 3 screws M6x80 mm	1 set	9035833
Fastening set DGT and NGT/92/210 N10 TS 73 - 77 mm 1 pin 8/10/8x130 mm / 3 screws M6x85 mm	1 set	9035834
Fastening set DGT and NGT/92/210 N10 TS 78 - 82 mm 1 pin 8/10/8x130 mm / 3 screws M6x90 mm	1 set	9065859
Fastening set DGT and NGT/92/210 N10 TS 83 - 87 mm 1 pin 8/10/8x140 mm / 3 screws M6x95 mm	1 set	9035835