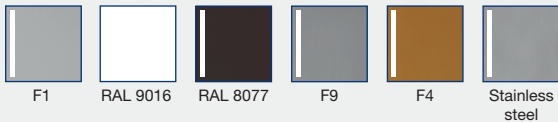


Available colours/finishes:



blaugelb lever handle set 1/2 DGT30 outside PZ92

Free choice of colour versions on the inside thanks to the matching 1/2 lever handle set DGT30 inside.

- High-quality materials and finishes
- Concealed screws
- Elegant appearance on the door

blaugelb lever handle set ½ DGT30 outside PZ92

Free choice of colour versions on the inside thanks to the matching ½ lever handle set DGT30 inside.



Product features:

The blaugelb lever handle set ½ DGT30 outside PZ92 with a plate width of 30 mm (PZ92 spacing) is suitable for wooden, plastic and metal exterior doors. The set can be combined with a blaugelb ½ DGT30 inside PZ92.

The attractive, elegant blaugelb lever handle set ½ DGT30 outside PZ92 is available in various surface colours in aluminium, as well as in fine matt stainless steel. The set is mounted by means of concealed screws.

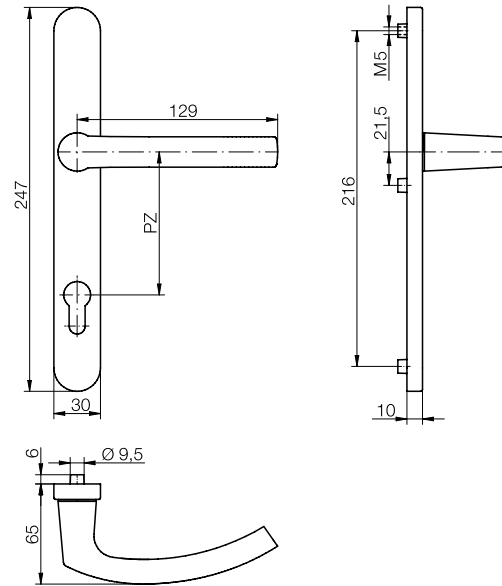
Product benefits:

- High-quality materials and finishes
- Concealed screws
- Elegant appearance on the door

Technical data:

Material:	Aluminium or fine matt stainless steel
Lever mounting:	Fixed/pivoting
Lever square socket:	8 mm
Plate dimensions:	30 x 247 mm
Plate height:	10 mm
Profile cylinder spacing:	92 mm
Stud internal diameter:	5 mm
Fastening:	Concealed screws
Packing unit:	1 set (without fastening set)

Product name	PU	Item no.
blaugelb lever handle set ½ DGT30 outside PZ92 AL RAL 9016 (white)	1 piece	0424084
blaugelb lever handle set ½ DGT30 outside PZ92 AL F1 (silver)	1 piece	0424089
blaugelb lever handle set ½ DGT30 outside PZ92 AL F4 (bronze)	1 piece	0424094
blaugelb lever handle set ½ DGT30 outside PZ92 AL RAL 8077 (brown)	1 piece	0424099
blaugelb lever handle set ½ DGT30 outside PZ92 AL F9 (steel-coloured)	1 piece	0424104
blaugelb lever handle set ½ DGT30 outside PZ92 stainless steel Fine matt	1 piece	0424109



Accessories:

Product name	PU	Item no.
Fastening set DGT30/NGT30 TS 57-62 mm 1 pin 8x130 mm/3 screws M5x70 mm	1 set	0423942
Fastening set DGT30/NGT30 TS 62-67 mm 1 pin 8x130 mm/3 screws M5x75 mm	1 set	0424155
Fastening set DGT30/NGT30 TS 67-72 mm 1 pin 8x140 mm/3 screws M5x80 mm	1 set	0424156
Fastening set DGT30/NGT30 TS 72-77 mm 1 pin 8x140 mm/3 screws M5x85 mm	1 set	0424157
Fastening set DGT30/NGT30 TS 77-82 mm 1 pin 8x150 mm/3 screws M5x90 mm	1 set	0424158
Fastening set DGT30/NGT30 TS 82-87 mm 1 pin 8x150 mm/3 screws M5x95 mm	1 set	0424159
Fastening set DGT30/NGT30 TS 87-92 mm 1 pin 8x160 mm/3 screws M5x100 mm	1 set	0424160