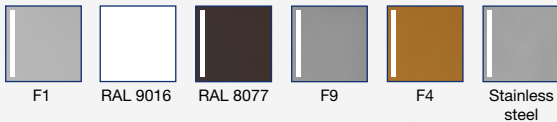




Available colours/finishes:



blaugelb lever handle set ½ DGT50 outside PZ92 ZA ES1

Free choice of colour versions on the inside thanks to the matching ½ lever handle set DGT50 inside.

- Increased safety thanks to ES1-tested core pulling protection
- High-quality materials and finishes
- Concealed screws
- Elegant appearance on the door

blaugelb lever handle set ½ DGT50 outside PZ92 ZA ES1

Free choice of colour versions on the inside thanks to the matching ½ lever handle set DGT50 inside.



Product features:

The blaugelb lever handle set ½ DGT50 outside PZ92 ZA ES1 with a plate width of 50 mm (PZ92 spacing) and ES1-tested core pulling protection is suitable for wooden, plastic and metal exterior doors. To ensure that the lever handle set can withstand any attempts to drill it open, the substrate is made of hardened steel. The set can be combined with a ½ DGT50 inside PZ92.

The attractive, elegant blaugelb lever handle set ½ DGT50 outside PZ92 ZA ES1 is available in various surface colours in aluminium, as well as in fine matt stainless steel. It is mounted by means of concealed screws.

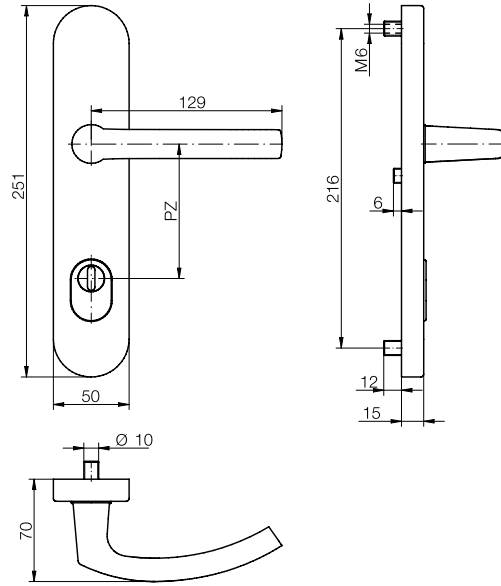
Product benefits:

- Increased safety thanks to core pulling protection
- High-quality materials and finishes
- Concealed screws
- Elegant appearance on the door

Technical data:

Material:	Aluminium or fine matt stainless steel
Lever mounting:	Fixed/pivoting
Lever square socket:	8 mm
Plate dimensions:	50 x 251 mm
Plate height:	15 mm
Profile cylinder spacing:	92 mm
Cylinder protrusion:	10-14 mm
Stud internal diameter:	6 mm
Fastening:	Concealed screws
Packing unit:	1 set (without fastening set)

Product name	PU	Item no.
blaugelb lever handle set ½ DGT50 outside PZ92 ZA ES1 AL RAL 9016 (white)	1 piece	0424088
blaugelb lever handle set ½ DGT50 outside PZ92 ZA ES1 AL F1 (silver)	1 piece	0424093
blaugelb lever handle set ½ DGT50 outside PZ92 ZA ES1 AL F4 (bronze)	1 piece	0424098
blaugelb lever handle set ½ DGT50 outside PZ92 ZA ES1 AL RAL 8077 (brown)	1 piece	0424103
blaugelb lever handle set ½ DGT50 outside PZ92 ZA ES1 AL F9 (steel-coloured)	1 piece	0424108
blaugelb lever handle set ½ DGT50 outside PZ92 ZA ES1 stainless steel Fine matt	1 piece	0424113



Accessories:

Fastening set for 8 mm socket:

Product name	PU	Item no.
Fastening set DGT35/DGT50/NGT35 TS 57–62 mm 1 pin 8x130 mm/3 screws M6x70 mm	1 set	0424168
Fastening set DGT35/DGT50/NGT35 TS 62–67 mm 1 pin 8x130 mm/3 screws M6x75 mm	1 set	0424169
Fastening set DGT35/DGT50/NGT35 TS 67–72 mm 1 pin 8x140 mm/3 screws M6x80 mm	1 set	0424171
Fastening set DGT35/DGT50/NGT35 TS 72–77 mm 1 pin 8x140 mm/3 screws M6x85 mm	1 set	0424172
Fastening set DGT35/DGT50/NGT35 TS 77–82 mm 1 pin 8x150 mm/3 screws M6x90 mm	1 set	0424173
Fastening set DGT35/DGT50/NGT35 TS 82–87 mm 1 pin 8x150 mm/3 screws M6x95 mm	1 set	0424174
Fastening set DGT35/DGT50/NGT35 TS 87–92 mm 1 pin 8x160 mm/3 screws M6x100 mm	1 set	0424175

Fastening set for 10 mm socket:

Product name	PU	Item no.
Fastening set DGT35/DGT50/NGT35 TS 57–62 mm 1 pin 8/10/8x130 mm/3 screws M6x70 mm	1 set	0424183
Fastening set DGT35/DGT50/NGT35 TS 62–67 mm 1 pin 8/10/8x130 mm/3 screws M6x75 mm	1 set	0424184
Fastening set DGT35/DGT50/NGT35 TS 67–72 mm 1 pin 8/10/8x140 mm/3 screws M6x80 mm	1 set	0424185
Fastening set DGT35/DGT50/NGT35 TS 72–77 mm 1 pin 8/10/8x140 mm/3 screws M6x85 mm	1 set	0424186
Fastening set DGT35/DGT50/NGT35 TS 77–82 mm 1 pin 8/10/8x150 mm/3 screws M6x90 mm	1 set	0424187
Fastening set DGT35/DGT50/NGT35 TS 82–87 mm 1 pin 8/10/8x150 mm/3 screws M6x95 mm	1 set	0424188
Fastening set DGT35/DGT50/NGT35 TS 87–92 mm 1 pin 8/10/8x160 mm/3 screws M6x100 mm	1 set	0424189