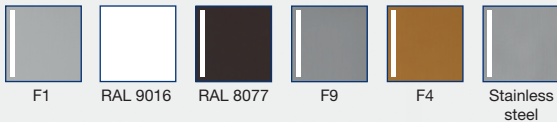


Available colours/finishes:



## blaugelb lever handle set ½ DGT50 outside PZ92

Free choice of colour versions on the inside thanks to the matching ½ lever handle set DGT50 inside.

- High-quality materials and finishes
- Concealed screws
- Elegant appearance on the door

# blaugelb lever handle set ½ DGT50 outside PZ92

Free choice of colour versions on the inside thanks to the matching ½ lever handle set DGT50 inside.



## Product features:

The blaugelb lever handle set ½ DGT50 outside PZ92 with a plate width of 50 mm (PZ92 spacing) is suitable for wooden, plastic and metal exterior doors. It can be combined with a blaugelb ½ DGT50 inside PZ92.

The attractive, elegant blaugelb lever handle set ½ DGT50 outside PZ92 is available in various surface colours in aluminium, as well as in fine matt stainless steel. It is mounted by means of concealed screws.

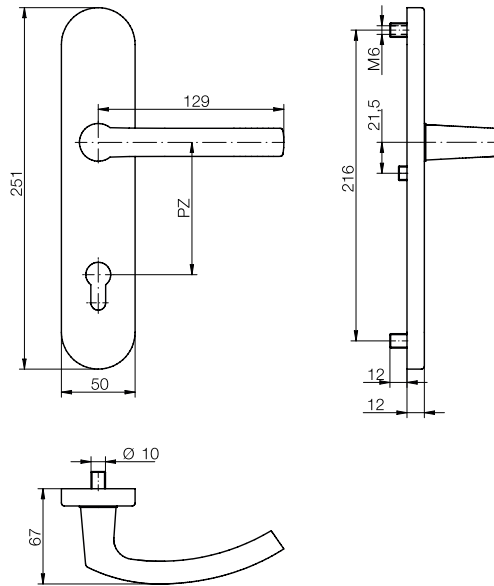
## Product benefits:

- High-quality materials and finishes
- Concealed screws
- Elegant appearance on the door

## Technical data:

Material:	Aluminium or fine matt stainless steel
Lever mounting:	Fixed/pivoting
Lever square socket:	8 mm
Plate dimensions:	50 x 251 mm
Plate height:	12 mm
Profile cylinder spacing:	92 mm
Stud internal diameter:	6 mm
Fastening:	Concealed screws
Packing unit:	1 set (without fastening set)

Product name	PU	Item no.
blaugelb lever handle set ½ DGT50 outside PZ92 AL <b>RAL 9016 (white)</b>	1 piece	0424087
blaugelb lever handle set ½ DGT50 outside PZ92 AL <b>F1 (silver)</b>	1 piece	0424092
blaugelb lever handle set ½ DGT50 outside PZ92 AL <b>F4 (bronze)</b>	1 piece	0424097
blaugelb lever handle set ½ DGT50 outside PZ92 AL <b>RAL 8077 (brown)</b>	1 piece	0424102
blaugelb lever handle set ½ DGT50 outside PZ92 AL <b>F9 (steel-coloured)</b>	1 piece	0424107
blaugelb lever handle set ½ DGT50 outside PZ92 stainless steel <b>Fine matt</b>	1 piece	0424112



## Accessories:

Fastening set for 8 mm socket:

Product name	PU	Item no.
Fastening set DGT35/DGT50/NGT35 TS 57–62 mm 1 pin 8x130 mm/3 screws M6x70 mm	1 set	0424168
Fastening set DGT35/DGT50/NGT35 TS 62–67 mm 1 pin 8x130 mm/3 screws M6x75 mm	1 set	0424169
Fastening set DGT35/DGT50/NGT35 TS 67–72 mm 1 pin 8x140 mm/3 screws M6x80 mm	1 set	0424171
Fastening set DGT35/DGT50/NGT35 TS 72–77 mm 1 pin 8x140 mm/3 screws M6x85 mm	1 set	0424172
Fastening set DGT35/DGT50/NGT35 TS 77–82 mm 1 pin 8x150 mm/3 screws M6x90 mm	1 set	0424173
Fastening set DGT35/DGT50/NGT35 TS 82–87 mm 1 pin 8x150 mm/3 screws M6x95 mm	1 set	0424174
Fastening set DGT35/DGT50/NGT35 TS 87–92 mm 1 pin 8x160 mm/3 screws M6x100 mm	1 set	0424175

Fastening set for 10 mm socket:

Product name	PU	Item no.
Fastening set DGT35/DGT50/NGT35 TS 57–62 mm 1 pin 8/10/8x130 mm/3 screws M6x70 mm	1 set	0424183
Fastening set DGT35/DGT50/NGT35 TS 62–67 mm 1 pin 8/10/8x130 mm/3 screws M6x75 mm	1 set	0424184
Fastening set DGT35/DGT50/NGT35 TS 67–72 mm 1 pin 8/10/8x140 mm/3 screws M6x80 mm	1 set	0424185
Fastening set DGT35/DGT50/NGT35 TS 72–77 mm 1 pin 8/10/8x140 mm/3 screws M6x85 mm	1 set	0424186
Fastening set DGT35/DGT50/NGT35 TS 77–82 mm 1 pin 8/10/8x150 mm/3 screws M6x90 mm	1 set	0424187
Fastening set DGT35/DGT50/NGT35 TS 82–87 mm 1 pin 8/10/8x150 mm/3 screws M6x95 mm	1 set	0424188
Fastening set DGT35/DGT50/NGT35 TS 87–92 mm 1 pin 8/10/8x160 mm/3 screws M6x100 mm	1 set	0424189