



## blaugelb knob handle set 1/2 KGT35 outside PZ92 ZA

Free choice of colour versions on the inside thanks to the matching 1/2 lever handle set DGT35 inside.

- **Increased safety thanks to core pulling protection**
- **High-quality materials and finishes**
- **Concealed screws**
- **Elegant appearance on the door**

# blaugelb knob handle set ½ KGT35 outside PZ92 ZA

Free choice of colour versions on the inside thanks to the matching ½ lever handle set DGT35 inside.



## Product features:

The blaugelb knob handle set ½ KGT35 outside PZ92 with a plate width of 35 mm (PZ92 spacing) and core pulling protection is suitable for wooden, plastic and metal exterior doors. To ensure that the knob handle set can withstand any attempts to drill it open, the substrate is made of hardened steel. It can be combined with a blaugelb ½ DGT35 inside PZ92.

The attractive, elegant blaugelb knob handle set ½ KGT35 outside PZ92 ZA is available in fine matt stainless steel. The set is mounted by means of concealed screws.

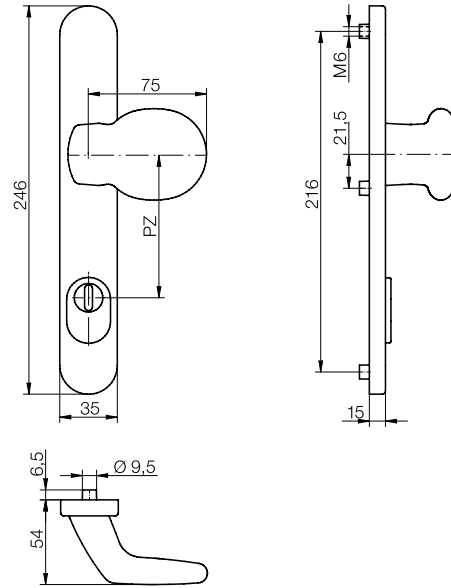
## Product benefits:

- Increased safety thanks to core pulling protection
- High-quality materials and finishes
- Concealed screws
- Elegant appearance on the door

## Technical data:

Material:	Fine matt stainless steel
Option:	Knob fixed, can be reversed from right-hand to left-hand
Lever square socket:	8 mm
Plate dimensions:	35 x 246 mm
Plate height:	10 mm
Profile cylinder spacing:	92 mm
Cylinder protrusion:	6-9 mm
Stud internal diameter:	6 mm
Fastening:	Concealed screws
Packing unit:	1 set (without fastening set)

Product name	PU	Item no.
blaugelb knob handle set ½ KGT35 outside PZ92 ZA stainless steel Fine matt	1 piece	0424142



## Accessories:

Fastening set for 8 mm socket:

Product name	PU	Item no.
Fastening set KGT35/KGT50 TS 57-62 mm 1 pin 8x90 mm/3 screws M6x70 mm	1 set	0424176
Fastening set KGT35/KGT50 TS 62-67 mm 1 pin 8x95 mm/3 screws M6x75 mm	1 set	0424177
Fastening set KGT35/KGT50 TS 67-72 mm 1 pin 8x100 mm/3 screws M6x80 mm	1 set	0424178
Fastening set KGT35/KGT50 TS 72-77 mm 1 pin 8x105 mm/3 screws M6x85 mm	1 set	0424179
Fastening set KGT35/KGT50 TS 77-82 mm 1 pin 8x110 mm/3 screws M6x90 mm	1 set	0424180
Fastening set KGT35/KGT50 TS 82-87 mm 1 pin 8x115 mm/3 screws M6x95 mm	1 set	0424181
Fastening set KGT35/KGT50 TS 87-92 mm 1 pin 8x120 mm/3 screws M6x100 mm	1 set	0424182

Fastening set for 10 mm socket:

Product name	PU	Item no.
Fastening set KGT35/KGT50 N10 TS 57-62 mm 1 pin 8/10x90 mm/3 screws M6x70 mm	1 set	0424190
Fastening set KGT35/KGT50 N10 TS 62-67 mm 1 pin 8/10x95 mm/3 screws M6x75 mm	1 set	0424191
Fastening set KGT35/KGT50 N10 TS 67-72 mm 1 pin 8/10x100 mm/3 screws M6x80 mm	1 set	0424193
Fastening set KGT35/KGT50 N10 TS 72-77 mm 1 pin 8/10x105 mm/3 screws M6x85 mm	1 set	0424194
Fastening set KGT35/KGT50 N10 TS 77-82 mm 1 pin 8/10x110 mm/3 screws M6x90 mm	1 set	0424195
Fastening set KGT35/KGT50 N10 TS 82-87 mm 1 pin 8/10x115 mm/3 screws M6x95 mm	1 set	0424196
Fastening set KGT35/KGT50 N10 TS 87-92 mm 1 pin 8/10x120 mm/3 screws M6x100 mm	1 set	0424197