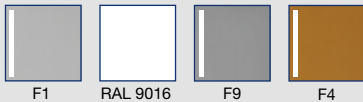


Available colours/finishes:



blaugelb Lever/Low Lever Handle Set ½ NGT35 outside PZ92 ZA

Free choice of colour versions on the inside thanks to the matching ½ lever handle set DGT35 inside.

Product features:

The blaugelb Lever/Low Lever Handle Set ½ NGT35 outside PZ92 ZA with a plate width of 35 mm (PZ92 spacing) and core pulling protection is suitable for wooden, plastic and metal exterior doors. The low (flat) lever is specially designed for exterior doors with roller shutters, sun protection, blinds and insect screens. The blaugelb Lever/Low Lever Handle Set ½ NGT35 outside PZ92 ZA can be combined with a blaugelb ½ DGT35 inside PZ92.

The attractive, elegant blaugelb Lever/Low Lever Handle Set ½ NGT35 outside PZ92 ZA is available in various surface colours in aluminium. The set is mounted by means of concealed screws.

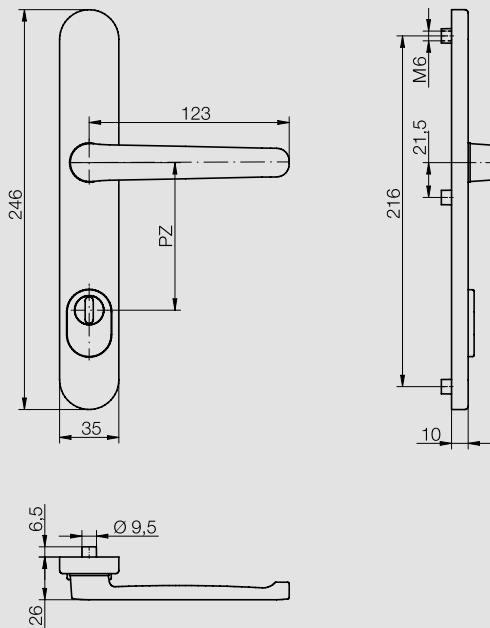
- Increased safety thanks to core pulling protection
- Extra-low lever for special solutions for roller shutters, sun protection etc.
- High-quality materials and finishes
- Concealed screws
- Elegant appearance on the door

Continued on
the next page ►



Technical data:

Material:	Aluminium
Handle mounting:	Fixed/pivoting
Handle square socket:	8 mm
Plate dimensions:	35 x 246 mm
Plate height:	10 mm
Profile cylinder spacing:	92 mm
Cylinder protrusion:	6 – 9 mm
Stud internal diameter:	6 mm
Fastening:	Concealed screws
Packing unit:	1 set (without fastening set)



Product name	PU	Item no.
Fastening set DGT35/DGT50/NGT35 TS 67–72 mm 1 pin 8x140 mm/3 screws M6x80 mm	1 set	0424171
Fastening set DGT35/DGT50/NGT35 TS 72–77 mm 1 pin 8x140 mm/3 screws M6x85 mm	1 set	0424172
Fastening set DGT35/DGT50/NGT35 TS 77–82 mm 1 pin 8x150 mm/3 screws M6x90 mm	1 set	0424173
Fastening set DGT35/DGT50/NGT35 TS 82–87 mm 1 pin 8x150 mm/3 screws M6x95 mm	1 set	0424174
Fastening set DGT35/DGT50/NGT35 TS 87–92 mm 1 pin 8x160 mm/3 screws M6x100 mm	1 set	0424175

Fastening set for 10 mm socket:

Product name	PU	Item no.
Fastening set DGT35/DGT50/NGT35 TS 57–62 mm 1 pin 8/10/8x130 mm/3 screws M6x70 mm	1 set	0424183
Fastening set DGT35/DGT50/NGT35 TS 62–67 mm 1 pin 8/10/8x130 mm / 3 screws M6x75 mm	1 set	0424184
Fastening set DGT35/DGT50/NGT35 TS 67–72 mm 1 pin 8/10/8x140 mm/3 screws M6x80 mm	1 set	0424185
Fastening set DGT35/DGT50/NGT35 TS 72–77 mm 1 pin 8/10/8x140 mm/3 screws M6x85 mm	1 set	0424186
Fastening set DGT35/DGT50/NGT35 TS 77–82 mm 1 pin 8/10/8x150 mm/3 screws M6x90 mm	1 set	0424187
Fastening set DGT35/DGT50/NGT35 TS 82–87 mm 1 pin 8/10/8x150 mm/3 screws M6x95 mm	1 set	0424188
Fastening set DGT35/DGT50/NGT35 TS 87–92 mm 1 pin 8/10/8x160 mm/3 screws M6x100 mm	1 set	0424189

Product name	PU	Item no.
blaugelb Lever/Low Lever Handle Set ½ NGT35 outside PZ92 ZA AL RAL 9016 (white)	1 piece	0424600
blaugelb Lever/Low Lever Handle Set ½ NGT35 outside PZ92 ZA AL F1 (silver)	1 piece	0424601
blaugelb Lever/Low Lever Handle Set ½ NGT35 outside PZ92 ZA AL F4 (bronze)	1 piece	0424581
blaugelb Lever/Low Lever Handle Set ½ NGT35 outside PZ92 ZA AL F9 (steel-coloured)	1 piece	0424359

Accessories:

Fastening set for 8 mm socket:

Product name	PU	Item no.
Fastening set DGT35/DGT50/NGT35 TS 57–62 mm 1 pin 8x130 mm/3 screws M6x70 mm	1 set	0424168
Fastening set DGT35/DGT50/NGT35 TS 62–67 mm 1 pin 8x130 mm / 3 screws M6x75 mm	1 set	0424169