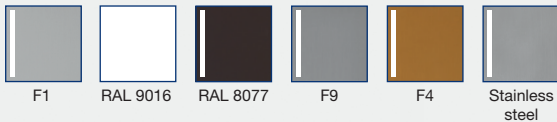


Available colours/finishes:



## blaugelb lever handle set DGT50 PZ92

For wooden, plastic and metal doors.

- Holding spring for precise lever position
- Ball clip device for easy assembly and disassembly of inner plate
- High-quality materials and finishes
- Concealed screws
- Elegant appearance on the door

# blaugelb lever handle set DGT50 PZ92

For wooden, plastic and metal doors.

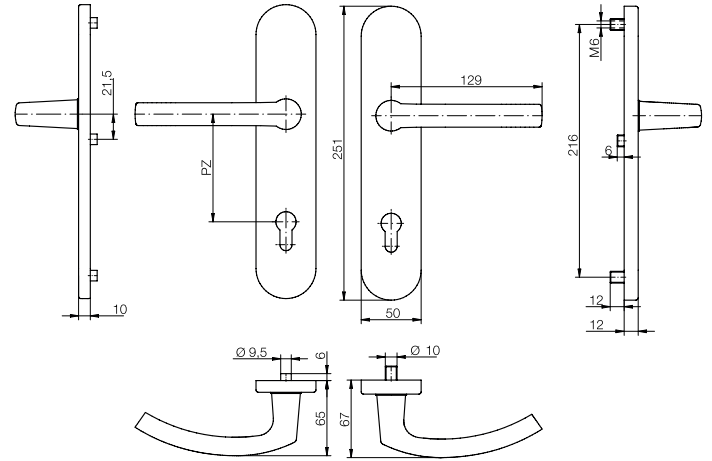


## Product features:

The blaugelb lever handle set DGT50 PZ92 with a plate width of 50 mm (PZ92 spacing) is suitable for wooden, plastic and metal exterior doors. It is equipped with a holding spring for precise positioning of the lever. The holding spring also assists the follower spring with the return movement of the catch.

The inner plate of the blaugelb lever handle set DGT50 PZ92 can easily be removed and fitted thanks to the ball clip device. The set is mounted by means of concealed screws.

The attractive, elegant blaugelb lever handle set DGT50 PZ92 is available in various surface colours in aluminium, as well as in fine matt stainless steel.



## Product benefits:

- Holding spring for precise lever position
- Ball clip device for easy assembly and disassembly of inner plate
- High-quality materials and finishes
- Concealed screws
- Elegant appearance on the door

## Technical data:

Material:	Aluminium or fine matt stainless steel
Lever mounting:	Fixed/pivoting/holding spring
Lever square socket:	8 mm
Plate dimensions:	50 x 251 mm
Plate height:	10/12 mm
Profile cylinder spacing:	92 mm
Stud internal diameter:	6 mm
Fastening:	Concealed screws
Packing unit:	1 set (without fastening set)

Product name	PU	Item no.
blaugelb lever handle set DGT50 PZ92 AL <b>RAL 9016 (white)</b>	1 piece	0423978
blaugelb lever handle set DGT50 PZ92 AL <b>F1 (silver)</b>	1 piece	0423983
blaugelb lever handle set DGT50 PZ92 AL <b>F4 (bronze)</b>	1 piece	0423990
blaugelb lever handle set DGT50 PZ92 AL <b>RAL 8077 (brown)</b>	1 piece	0423997
blaugelb lever handle set DGT50 PZ92 AL <b>F9 (steel-coloured)</b>	1 piece	0424003
blaugelb lever handle set DGT50 PZ92 stainless steel <b>Fine matt</b>	1 piece	0424009

## Accessories:

Fastening set for 8 mm socket:

Product name	PU	Item no.
Fastening set DGT35/DGT50/NGT35 TS 57–62 mm 1 pin 8x130 mm/3 screws M6x70 mm	1 set	0424168
Fastening set DGT35/DGT50/NGT35 TS 62–67 mm 1 pin 8x130 mm/3 screws M6x75 mm	1 set	0424169
Fastening set DGT35/DGT50/NGT35 TS 67–72 mm 1 pin 8x140 mm/3 screws M6x80 mm	1 set	0424171
Fastening set DGT35/DGT50/NGT35 TS 72–77 mm 1 pin 8x140 mm/3 screws M6x85 mm	1 set	0424172
Fastening set DGT35/DGT50/NGT35 TS 77–82 mm 1 pin 8x150 mm/3 screws M6x90 mm	1 set	0424173
Fastening set DGT35/DGT50/NGT35 TS 82–87 mm 1 pin 8x150 mm/3 screws M6x95 mm	1 set	0424174
Fastening set DGT35/DGT50/NGT35 TS 87–92 mm 1 pin 8x160 mm/3 screws M6x100 mm	1 set	0424175

Fastening set for 10 mm socket:

Product name	PU	Item no.
Fastening set DGT35/DGT50/NGT35 TS 57–62 mm 1 pin 8/10/8x130 mm/3 screws M6x70 mm	1 set	0424183
Fastening set DGT35/DGT50/NGT35 TS 62–67 mm 1 pin 8/10/8x130 mm/3 screws M6x75 mm	1 set	0424184
Fastening set DGT35/DGT50/NGT35 TS 67–72 mm 1 pin 8/10/8x140 mm/3 screws M6x80 mm	1 set	0424185
Fastening set DGT35/DGT50/NGT35 TS 72–77 mm 1 pin 8/10/8x140 mm/3 screws M6x85 mm	1 set	0424186
Fastening set DGT35/DGT50/NGT35 TS 77–82 mm 1 pin 8/10/8x150 mm/3 screws M6x90 mm	1 set	0424187
Fastening set DGT35/DGT50/NGT35 TS 82–87 mm 1 pin 8/10/8x150 mm/3 screws M6x95 mm	1 set	0424188
Fastening set DGT35/DGT50/NGT35 TS 87–92 mm 1 pin 8/10/8x160 mm/3 screws M6x100 mm	1 set	0424189