



Available colours/finishes:



blaugelb knob handle set KGT35 PZ92 ZA ES1

For wooden, plastic and metal doors.

- Increased safety thanks to ES1-tested core pulling protection
- Holding spring for precise lever position
- Ball clip device for easy assembly and disassembly of inner plate
- High-quality materials and finishes
- Concealed screws
- Elegant appearance on the door

blaugelb knob handle set KGT35 PZ92 ZA ES1

For wooden, plastic and metal doors.

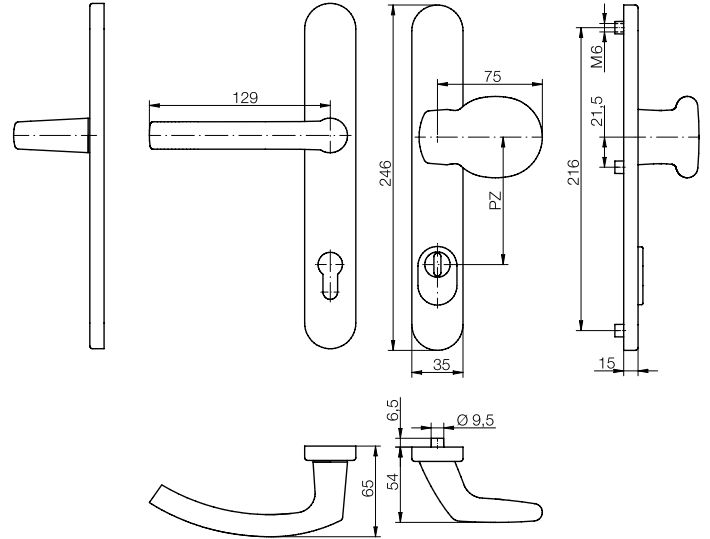


Product features:

The blaugelb knob handle set KGT35 PZ92 ZA ES1 with a plate width of 35 mm (PZ92 spacing) and ES1-tested core pulling protection is suitable for wooden, plastic and metal exterior doors. To ensure that the knob handle set can withstand any attempts to drill it open, the substrate is made of hardened steel. It is equipped with a holding spring for precise positioning of the lever. The holding spring also assists the follower spring with the return movement of the catch.

The inner plate of the blaugelb knob handle set KGT35 PZ92 ZA ES1 can easily be removed and fitted thanks to the ball clip device. The set is mounted by means of concealed screws.

The attractive, elegant blaugelb knob handle set KGT35 PZ92 ZA ES1 is available in various surface colours in aluminium.



Product benefits:

- Increased safety thanks to ES1-tested core pulling protection
- Holding spring for precise lever position
- Ball clip device for easy assembly and disassembly of inner plate
- High-quality materials and finishes
- Concealed screws
- Elegant appearance on the door

Technical data:

Material:	Aluminium
Option:	Knob fixed, can be reversed from right-hand to left-hand
Lever mounting:	Fixed/pivoting/holding spring
Lever square socket:	8 mm
Plate dimensions:	35 x 246 mm
Plate height:	15 mm
Profile cylinder spacing:	92 mm
Cylinder protrusion:	10-14 mm
Stud internal diameter:	6 mm
Fastening:	Concealed screws
Packing unit:	1 set (with fastening set TS 77 - 82 mm)

Product name	PU	Item no.
blaugelb knob handle set KGT35 PZ92 ZA ES1 AL RAL 9016 (white)	1 piece	0424013
blaugelb knob handle set KGT35 PZ92 ZA ES1 AL F1 (silver)	1 piece	0424018
blaugelb knob handle set KGT35 PZ92 ZA ES1 AL F4 (bronze)	1 piece	0424023
blaugelb knob handle set KGT35 PZ92 ZA ES1 AL RAL 8077 (brown)	1 piece	0424029
blaugelb knob handle set KGT35 PZ92 ZA ES1 AL F9 (steel-coloured)	1 piece	0424034

Accessories:

Fastening set for 8 mm socket:

Product name	PU	Item no.
Fastening set KGT35/KGT50 TS 57-62 mm 1 pin 8x90 mm/3 screws M6x70 mm	1 set	0424176
Fastening set KGT35/KGT50 TS 62-67 mm 1 pin 8x95 mm/3 screws M6x75 mm	1 set	0424177
Fastening set KGT35/KGT50 TS 67-72 mm 1 pin 8x100 mm/3 screws M6x80 mm	1 set	0424178
Fastening set KGT35/KGT50 TS 72-77 mm 1 pin 8x105 mm/3 screws M6x85 mm	1 set	0424179
Fastening set KGT35/KGT50 TS 77-82 mm 1 pin 8x110 mm/3 screws M6x90 mm	1 set	0424180
Fastening set KGT35/KGT50 TS 82-87 mm 1 pin 8x115 mm/3 screws M6x95 mm	1 set	0424181
Fastening set KGT35/KGT50 TS 87-92 mm 1 pin 8x120 mm/3 screws M6x100 mm	1 set	0424182

Fastening set for 10 mm socket:

Product name	PU	Item no.
Fastening set KGT35/KGT50 N10 TS 57-62 mm 1 pin 8/10x90 mm/3 screws M6x70 mm	1 set	0424190
Fastening set KGT35/KGT50 N10 TS 62-67 mm 1 pin 8/10x95 mm/3 screws M6x75 mm	1 set	0424191
Fastening set KGT35/KGT50 N10 TS 67-72 mm 1 pin 8/10x100 mm/3 screws M6x80 mm	1 set	0424193
Fastening set KGT35/KGT50 N10 TS 72-77 mm 1 pin 8/10x105 mm/3 screws M6x85 mm	1 set	0424194
Fastening set KGT35/KGT50 N10 TS 77-82 mm 1 pin 8/10x110 mm/3 screws M6x90 mm	1 set	0424195
Fastening set KGT35/KGT50 N10 TS 82-87 mm 1 pin 8/10x115 mm/3 screws M6x95 mm	1 set	0424196
Fastening set KGT35/KGT50 N10 TS 87-92 mm 1 pin 8/10x120 mm/3 screws M6x100 mm	1 set	0424197

The information provided in this document corresponds to the information and technical details available to the best of our knowledge. However, this does not constitute a guarantee pursuant to section 443 of the German Civil Code (BGB). Our processing instructions are to be considered only as general guidelines and may differ in the individual case due to the range of possible uses and applications. They do not therefore automatically exempt the user from carrying out their own tests. We reserve the right to make technical modifications and enhancements at any time.