

Available colours/finishes:



blaugelb lever/low lever handle set NGT30 PZ92

For wooden, plastic and metal doors.

- Extra-low lever for special solutions for roller shutters, sun protection etc.
- Holding spring for precise lever position
- Ball clip device for easy assembly and disassembly of inner plate
- High-quality materials and finishes
- Concealed screws
- Elegant appearance on the door

blaugelb lever/low lever handle set NGT30 PZ92

For wooden, plastic and metal doors.



Product features:

The blaugelb lever/low lever handle set NGT30 PZ92 with a plate width of 30 mm (PZ92 spacing) is suitable for wooden, plastic and metal exterior doors. The low (flat) lever is specially designed for exterior doors with roller shutters, sun protection, blinds and insect screens. It is equipped with a holding spring for precise positioning of the lever. The holding spring also assists the follower spring with the return movement of the catch.

The inner plate of the blaugelb lever/low lever handle set NGT30 PZ92 can easily be removed and fitted thanks to the ball clip device. The set is mounted by means of concealed screws.

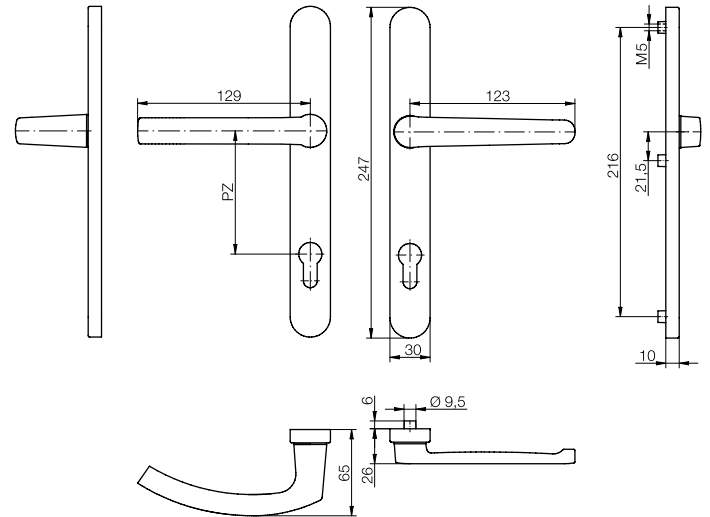
The attractive, elegant blaugelb lever/low lever handle set NGT30 PZ92 is available in various surface colours in aluminium.

Product benefits:

- Extra-low lever for special solutions for roller shutters, sun protection etc.
- Holding spring for precise lever position
- Ball clip device for easy assembly and disassembly of inner plate
- High-quality materials and finishes
- Concealed screws
- Elegant appearance on the door

Technical data:

| | |
|---------------------------|-------------------------------|
| Material: | Aluminium |
| Lever mounting: | Fixed/pivoting/holding spring |
| Lever square socket: | 8 mm |
| Plate dimensions: | 30 x 247 mm |
| Plate height: | 10 mm |
| Profile cylinder spacing: | 92 mm |
| Stud internal diameter: | 5 mm |
| Fastening: | Concealed screws |
| Packing unit: | 1 set (without fastening set) |



Accessories:

| Product name | PU | Item no. |
|--|-------|----------|
| Fastening set DGT30/NGT30 TS 57-62 mm 1 pin 8x130 mm/3 screws M5x70 mm | 1 set | 0423942 |
| Fastening set DGT30/NGT30 TS 62-67 mm 1 pin 8x130 mm/3 screws M5x75 mm | 1 set | 0424155 |
| Fastening set DGT30/NGT30 TS 67-72 mm 1 pin 8x140 mm/3 screws M5x80 mm | 1 set | 0424156 |
| Fastening set DGT30/NGT30 TS 72-77 mm 1 pin 8x140 mm/3 screws M5x85 mm | 1 set | 0424157 |
| Fastening set DGT30/NGT30 TS 77-82 mm 1 pin 8x150 mm/3 screws M5x90 mm | 1 set | 0424158 |
| Fastening set DGT30/NGT30 TS 82-87 mm 1 pin 8x150 mm/3 screws M5x95 mm | 1 set | 0424159 |
| Fastening set DGT30/NGT30 TS 87-92 mm 1 pin 8x160 mm/3 screws M5x100 mm | 1 set | 0424160 |

| Product name | PU | Item no. |
|---|---------|----------|
| blaugelb lever/low lever handle set NGT30 PZ92 AL RAL 9016 (white) | 1 piece | 0424042 |
| blaugelb lever/low lever handle set NGT30 PZ92 AL F1 (silver) | 1 piece | 0424045 |
| blaugelb lever/low lever handle set NGT30 PZ92 AL F4 (bronze) | 1 piece | 0424053 |
| blaugelb lever/low lever handle set NGT30 PZ92 AL RAL 8077 (brown) | 1 piece | 0424056 |
| blaugelb lever/low lever handle set NGT30 PZ92 AL F9 (steel-coloured) | 1 piece | 0424059 |

The information provided in this document corresponds to the information and technical details available to the best of our knowledge. However, this does not constitute a guarantee pursuant to section 443 of the German Civil Code (BGB). Our processing instructions are to be considered only as general guidelines and may differ in the individual case due to the range of possible uses and applications. They do not therefore automatically exempt the user from carrying out their own tests. We reserve the right to make technical modifications and enhancements at any time.