

blaugelb Knob Handle Set ZT/KGT FS 90° Shape PZ Class 4

Tested safety for fire, smoke and escape doors in the property sector.

- High-quality materials and steel substructures
- Tested in accordance with DIN 18273, DIN EN 179 and DIN EN 1906
- Maintenance-free plain bearing and holding springs for precise positioning
- Elegant appearance on the door
- Concealed screws

blaugelb Knob Handle Set ZT/KGT FS 90° Shape PZ Class 4

Tested safety for fire, smoke and escape doors in the property sector.

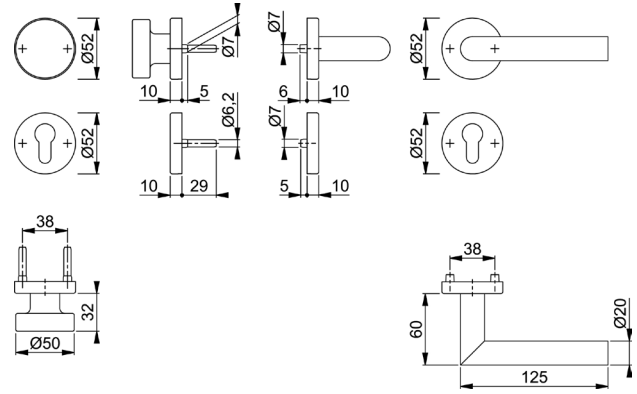


Product features:

The blaugelb Knob Handle Set ZT/KGT FS 90° Shape PZ Class 4 is suitable for fire, smoke and escape doors with increased safety requirements in terms of fire protection in accordance with DIN 18273, for emergency escape locks in accordance with DIN EN 179 and for the property sector in accordance with DIN EN 1906 and has been tested accordingly. The supplied key rosettes (PZ), like the lever handle rosettes, also have positioning studs to ensure precise and permanent positioning on the door.

The set has maintenance-free plain bearings and a removable handle connection with ball lock. The used holding springs guarantee exact positioning of the lever handle.

The attractive, elegant Knob Handle Set ZT/KGT FS 90° Shape PZ Class 4 is available in fine matt stainless steel. The set is mounted by means of concealed screws (supplied).



Product benefits:

- High-quality materials and steel substructures
- Tested in accordance with DIN 18273, DIN EN 179 and DIN EN 1906
- Maintenance-free plain bearing and holding springs for precise positioning
- Elegant appearance on the door
- Concealed screws

Technical data:

Material:	fine matt stainless steel
Lever mounting:	fixed on outside; fixed/pivoting on inside, ball lock with holding spring
Lever square socket:	9 mm profile full pin
Keyhole:	PZ
Classification code: DIN EN 1906	4 7 - D1 1 5 0 A
Door thickness:	40 - 65 mm
Rosette diameter:	52 mm
Rosette height:	10 mm
Fastening:	concealed screws, M4 threaded bolts
Packing unit:	1 set

Product name	PU	Item no.
blaugelb Knob Handle Set ZT/KGT FS 90° Shape PZ Class 4, stainless steel	1 piece	9066271

The information provided in this document corresponds to the information and technical details available to the best of our knowledge. However, this does not constitute a guarantee pursuant to section 443 of the German Civil Code (BGB). Our processing instructions are to be considered only as general guidelines and may differ in the individual case due to the range of possible uses and applications. They do therefore not automatically exempt the user from carrying out their own tests. We reserve the right to make technical modifications and enhancements at any time.