

blaugelb Profile Half Cylinder PHZ

The 6-pin profile half cylinder with increased anti-intruder protection.

- **6-pin profile half cylinder with paracentric key profile for individual locks**
- **Increased intrusion protection – standard drilling and pull protection**
- **Cylinder outer core and cylinder outer housing with hard metal drilling protection**
- **Housing locking pin for securing a broken off cylinder housing behind the security plate**
- **Tested according to DIN EN 1303:2015-08, thereby fulfils DIN 18252:2018-05**
- **Lock cylinder with 3 keys**

Product features:

The blaugelb Profile Half Cylinders PHZ are made of nickel-plated brass and have a 6-pin normal profile with a paracentric key profile for individual locks. The cylinders are protected against mechanical attacks – they are ready with increased intrusion protection through a two-sided drilling and pull protection.

Thanks to their architecture and the confirmed testing properties, the blaugelb Profile Half Cylinders PHZ can be installed in an RC 1 N / RC 2 N / RC 2 / RC 3 system together with a Class ES 1 security plate without an additional cylinder cover.

The blaugelb profile half cylinders are tested in accordance with DIN EN 1303:2015-08 and are supplied with three keys from the factory. These have an elongated key shaft for use with pull protection rosettes without springs as well as a larger area that protrudes when the key is in the lock for more comfortable handling. The punch in the key bow for the key ring is also suitable for lifting/sliding doors as it is positioned within the protruding area.

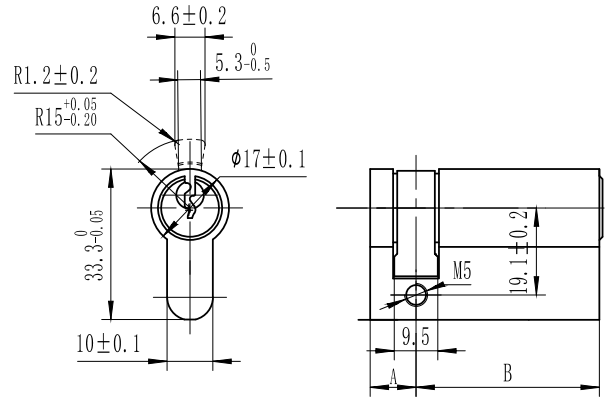
The blaugelb Profile Half Cylinders PHZ are individually keyed and are available in different installation lengths (10 mm | 30 – 70 mm).

Product benefits:

- 6-pin profile half cylinder with paracentric key profile for individual locks
- Increased intrusion protection – standard drilling and pull protection
- Cylinder outer core and cylinder outer housing with hard metal drilling protection
- Housing locking pin for securing a broken off cylinder housing behind the security plate
- Tested according to DIN EN 1303:2015-08, thereby fulfils DIN 18252:2018-05
- Lock cylinder with 3 keys

Technical data:

Material:	Brass, nickel-plated
Number of pins:	6 pins per side
Emergency function:	On both sides
Classification code: DIN EN 1303:2015-08	1 6 0 B 0 C 6 D
Number of keys:	3
Key material:	Steel, nickel-plated
Fixing screw:	M5 x 50 mm (included in scope of supply)
Packing unit:	1 cylinder, 3 keys



Product name	PU	Item no.
blaugelb Profile Half Cylinder PHZ 1758 length 30 individually keyed	1 piece	9073579
blaugelb Profile Half Cylinder PHZ 1758 length 35 individually keyed	1 piece	9073580
blaugelb Profile Half Cylinder PHZ 1758 length 40 individually keyed	1 piece	9073581
blaugelb Profile Half Cylinder PHZ 1758 length 45 individually keyed	1 piece	9073582
blaugelb Profile Half Cylinder PHZ 1758 length 50 individually keyed	1 piece	9073583
blaugelb Profile Half Cylinder PHZ 1758 length 55 individually keyed	1 piece	9073584
blaugelb Profile Half Cylinder PHZ 1758 length 60 individually keyed	1 piece	9073585
blaugelb Profile Half Cylinder PHZ 1758 length 65 individually keyed	1 piece	9073586
blaugelb Profile Half Cylinder PHZ 1758 length 70 individually keyed	1 piece	9073587