



blaugelb Profile Double Cylinder PDZ 1758 Two-Sided Emergency Function

The 5-pin profile double cylinder with emergency function on both sides and increased anti-intruder protection.

- 5-pin profile double cylinder with paracentric key profile for individual locks
- Emergency function on both sides
- For increased intrusion protection – standard drilling and bumping protection
- Tested in accordance with DIN EN 1303 and DIN 18252
- Lock cylinder with 3 keys

blaugelb Profile Double Cylinder PDZ 1758 Two-Sided Emergency Function

The 5-pin profile double cylinder with emergency function on both sides and increased anti-intruder protection.



Product features:

The blaugelb Profile Double Cylinders PDZ 1758 Two-Sided Emergency Function are made of nickel-plated brass and have a 5-pin normal profile with a paracentric key profile for individual locks. The cylinder can be opened if a key is inserted on the other side. The cylinders are protected against mechanical attacks – they are ready with increased intrusion protection through standard drilling and bumping protection.

This basic protection should always be supplemented with the assembly of a security plate in accordance with DIN 18257 of at least resistance class ES 1, e.g. with the blaugelb Lever or Knob Handle Set DGT or KGT PZ 92 with cylinder cover and resistance class ES 1.

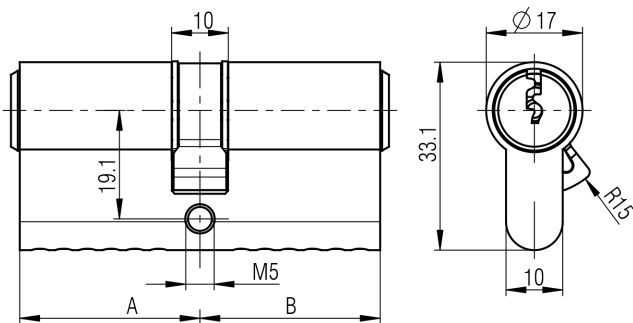
The blaugelb profile double cylinders are tested in accordance with DIN EN 1303 and DIN 18252 and are supplied with three keys. Keys can be reordered quickly and easily thanks to the key coding. The blaugelb Profile Double Cylinders PDZ 1758 Two-Sided Emergency Function are differently or identically keyed and are available in different installation lengths.

Product benefits:

- 5-pin profile double cylinder with paracentric key profile for individual locks
- Emergency function on both sides
- For increased intrusion protection – standard drilling and bumping protection
- Tested in accordance with DIN EN 1303 and DIN 18252
- Lock cylinder with 3 keys

Technical data:

Material:	brass, nickel-plated
Number of pins:	5 pins per side
Emergency function:	on both sides
Classification code: DIN EN 1303:2005-04	1 6 0 1 0 C 4 0
Number of keys:	3
Key material:	steel, nickel-plated
Fixing screw:	M5 x 80 mm (included in scope of supply)
Packing unit:	1 cylinder, 3 keys



Product name	PU	Item no.
blaugelb Profile Double Cylinder PDZ 1758 Two-Sided Emergency Function length 31/31 differently keyed	1 piece	0325110
blaugelb Profile Double Cylinder PDZ 1758 Two-Sided Emergency Function length 31/35 differently keyed	1 piece	0325111
blaugelb Profile Double Cylinder PDZ 1758 Two-Sided Emergency Function length 31/40 differently keyed	1 piece	0325112
blaugelb Profile Double Cylinder PDZ 1758 Two-Sided Emergency Function length 31/45 differently keyed	1 piece	0325113
blaugelb Profile Double Cylinder PDZ 1758 Two-Sided Emergency Function length 31/50 differently keyed	1 piece	0325114
blaugelb Profile Double Cylinder PDZ 1758 Two-Sided Emergency Function length 31/50 differently keyed	1 piece	0325115
blaugelb Profile Double Cylinder PDZ 1758 Two-Sided Emergency Function length 31/50 differently keyed	1 piece	0325116
blaugelb Profile Double Cylinder PDZ 1758 Two-Sided Emergency Function length 31/80 differently keyed	1 piece	0325117
blaugelb Profile Double Cylinder PDZ 1758 Two-Sided Emergency Function length 35/35 differently keyed	1 piece	0325118
blaugelb Profile Double Cylinder PDZ 1758 Two-Sided Emergency Function length 35/40 differently keyed	1 piece	0325119
blaugelb Profile Double Cylinder PDZ 1758 Two-Sided Emergency Function length 35/45 differently keyed	1 piece	0325120
blaugelb Profile Double Cylinder PDZ 1758 Two-Sided Emergency Function length 35/50 differently keyed	1 piece	0325121
blaugelb Profile Double Cylinder PDZ 1758 Two-Sided Emergency Function length 35/55 differently keyed	1 piece	0325122
blaugelb Profile Double Cylinder PDZ 1758 Two-Sided Emergency Function length 35/60 differently keyed	1 piece	0325123
blaugelb Profile Double Cylinder PDZ 1758 Two-Sided Emergency Function length 35/65 differently keyed	1 piece	0325124
blaugelb Profile Double Cylinder PDZ 1758 Two-Sided Emergency Function length 40/40 differently keyed	1 piece	0325135
blaugelb Profile Double Cylinder PDZ 1758 Two-Sided Emergency Function length 40/45 differently keyed	1 piece	0325136
blaugelb Profile Double Cylinder PDZ 1758 Two-Sided Emergency Function length 40/50 differently keyed	1 piece	0325137
blaugelb Profile Double Cylinder PDZ 1758 Two-Sided Emergency Function length 40/55 differently keyed	1 piece	0325138
blaugelb Profile Double Cylinder PDZ 1758 Two-Sided Emergency Function length 40/60 differently keyed	1 piece	0325140
blaugelb Profile Double Cylinder PDZ 1758 Two-Sided Emergency Function length 45/45 differently keyed	1 piece	0325141
blaugelb Profile Double Cylinder PDZ 1758 Two-Sided Emergency Function length 45/50 differently keyed	1 piece	0325142
blaugelb Profile Double Cylinder PDZ 1758 Two-Sided Emergency Function length 45/55 differently keyed	1 piece	0325143
blaugelb Profile Double Cylinder PDZ 1758 Two-Sided Emergency Function length 45/60 differently keyed	1 piece	0325144
blaugelb Profile Double Cylinder PDZ 1758 Two-Sided Emergency Function length 45/65 differently keyed	1 piece	0325145
blaugelb Profile Double Cylinder PDZ 1758 Two-Sided Emergency Function length 45/75 differently keyed	1 piece	0428088
blaugelb Profile Double Cylinder PDZ 1758 Two-Sided Emergency Function length 50/50 differently keyed	1 piece	0325146
blaugelb Profile Double Cylinder PDZ 1758 Two-Sided Emergency Function length 31/31 identically keyed	1 piece	0399809
blaugelb Profile Double Cylinder PDZ 1758 Two-Sided Emergency Function length 31/35 identically keyed	1 piece	0399810
blaugelb Profile Double Cylinder PDZ 1758 Two-Sided Emergency Function length 31/40 identically keyed	1 piece	0399811
blaugelb Profile Double Cylinder PDZ 1758 Two-Sided Emergency Function length 31/45 identically keyed	1 piece	0399812
blaugelb Profile Double Cylinder PDZ 1758 Two-Sided Emergency Function length 31/50 identically keyed	1 piece	0399813

The information provided in this document corresponds to the information and technical details available to the best of our knowledge. However, this does not constitute a guarantee pursuant to section 443 of the German Civil Code (BGB). Our processing instructions are to be considered only as general guidelines and may differ in the individual case due to the range of possible uses and applications. They do therefore not automatically exempt the user from carrying out their own tests. We reserve the right to make technical modifications and enhancements at any time.

blaugelb Profile Double Cylinder PDZ 1758

Two-Sided Emergency Function

The 5-pin profile double cylinder with emergency function on both sides and increased anti-intruder protection.



Product name	PU	Item no.
blaugelb Profile Double Cylinder PDZ 1758 Two-Sided Emergency Function length 31/55 identically keyed	1 piece	0399814
blaugelb Profile Double Cylinder PDZ 1758 Two-Sided Emergency Function length 31/60 identically keyed	1 piece	0399815
blaugelb Profile Double Cylinder PDZ 1758 Two-Sided Emergency Function length 35/35 identically keyed	1 piece	0399816
blaugelb Profile Double Cylinder PDZ 1758 Two-Sided Emergency Function length 35/40 identically keyed	1 piece	0399817
blaugelb Profile Double Cylinder PDZ 1758 Two-Sided Emergency Function length 35/45 identically keyed	1 piece	0399818
blaugelb Profile Double Cylinder PDZ 1758 Two-Sided Emergency Function length 35/50 identically keyed	1 piece	0399819
blaugelb Profile Double Cylinder PDZ 1758 Two-Sided Emergency Function length 35/55 identically keyed	1 piece	0399820
blaugelb Profile Double Cylinder PDZ 1758 Two-Sided Emergency Function length 35/60 identically keyed	1 piece	0399821
blaugelb Profile Double Cylinder PDZ 1758 Two-Sided Emergency Function length 40/40 identically keyed	1 piece	0399822
blaugelb Profile Double Cylinder PDZ 1758 Two-Sided Emergency Function length 40/45 identically keyed	1 piece	0399823
blaugelb Profile Double Cylinder PDZ 1758 Two-Sided Emergency Function length 40/50 identically keyed	1 piece	0399824
blaugelb Profile Double Cylinder PDZ 1758 Two-Sided Emergency Function length 40/55 identically keyed	1 piece	0399825
blaugelb Profile Double Cylinder PDZ 1758 Two-Sided Emergency Function length 40/60 identically keyed	1 piece	0399826
blaugelb Profile Double Cylinder PDZ 1758 Two-Sided Emergency Function length 45/45 identically keyed	1 piece	0399827
blaugelb Profile Double Cylinder PDZ 1758 Two-Sided Emergency Function length 45/50 identically keyed	1 piece	0399828
blaugelb Profile Double Cylinder PDZ 1758 Two-Sided Emergency Function length 45/55 identically keyed	1 piece	0399829
blaugelb Profile Double Cylinder PDZ 1758 Two-Sided Emergency Function length 45/60 identically keyed	1 piece	0399830
blaugelb Profile Double Cylinder PDZ 1758 Two-Sided Emergency Function length 50/50 identically keyed	1 piece	0399831
blaugelb Profile Double Cylinder PDZ 1758 Two-Sided Emergency Function length 50/55 identically keyed	1 piece	0399832
blaugelb Profile Double Cylinder PDZ 1758 Two-Sided Emergency Function length 50/60 identically keyed	1 piece	0399833

The information provided in this document corresponds to the information and technical details available to the best of our knowledge. However, this does not constitute a guarantee pursuant to section 443 of the German Civil Code (BGB). Our processing instructions are to be considered only as general guidelines and may differ in the individual case due to the range of possible uses and applications. They do therefore not automatically exempt the user from carrying out their own tests. We reserve the right to make technical modifications and enhancements at any time.