

## blaugelb Profile Double Cylinder PDZ Reversible Key 2EF

The 6-pin profile double cylinder with reversible key, emergency function on both sides and increased anti-intruder protection.

- **6-pin profile double cylinder with paracentric key profile for individual locks**
- **Emergency and danger function on both sides**
- **Increased intrusion protection – standard drilling protection**
- **Mushroom pins as protection against picking**
- **Cylinder core and cylinder housing with hard metal drilling protection**
- **Anti-snap feature, predefined breaking point**
- **Tested according to DIN EN 1303:2015-08, thereby fulfils DIN 18252:2018-05**
- **Lock cylinder with 5 reversible keys**

# blaugelb Profile Double Cylinder PDZ Reversible Key 2EF

The 6-pin profile double cylinder with reversible key, emergency function on both sides and increased anti-intruder protection.



## Product features:

The blaugelb Profile Double Cylinders PDZ Reversible Key Two-Sided Emergency Function are made of nickel-plated brass and have 6 pins with a paracentric key profile for individual locks. They are designed for use on house entrance and apartment doors, but can also be used in fire doors/ smoke protection doors as they satisfy the requirements in accordance with DIN EN 1303:2015-08 Annex A, class B. The convenient reversible key with dimples makes it easy to operate and the code stamped on the key head simplifies the ordering of new keys and cylinders.

The blaugelb Profile Double Cylinders PDZ Reversible Key Two-Sided Emergency Function can also be opened when a key is inserted on the other side. The cylinders are protected against mechanical attacks – they are ready with increased intrusion protection through a two-sided drilling protection. The housings also have an anti-snap feature: a predefined breaking point on both sides of the cylinder that ensures that the cylinder breaks before it can be forcibly pulled out of the lock. Thanks to this feature, all safety-relevant components remain intact and the door remains locked. The mushroom pins used also provide protection against classic lock picking.

Thanks to their architecture and the confirmed testing properties, the blaugelb Profile Double Cylinders PDZ Reversible Key Two-Sided Emergency Function can be installed in an RC 1 N / RC 2 N / RC 2 / RC 3 system together with a Class ES 1 or ES 2 (for RC 3) security plate with an additional cylinder cover.

The blaugelb profile double cylinders are tested in accordance with DIN EN 1303:2015-08 and are supplied with five keys from the factory. These have an elongated key shank for use with pull protection rosettes without springs as well as a larger key head for more comfortable handling.

The blaugelb Profile Double Cylinders PDZ Reversible Key Two-Sided Emergency Function are individually keyed and are available in different installation lengths.

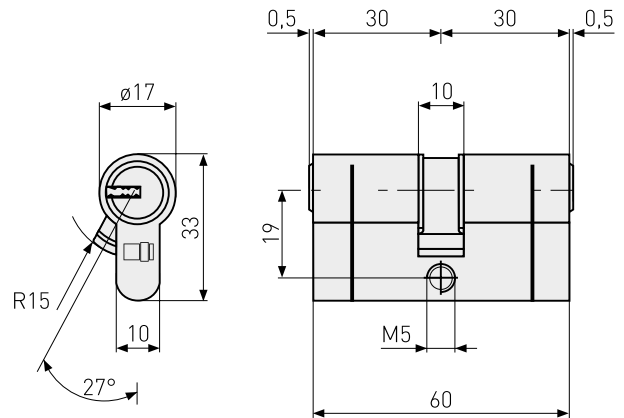
## Product benefits:

- 6-pin profile double cylinder with paracentric key profile for individual locks
- Emergency and danger function on both sides
- Increased intrusion protection – standard drilling protection
- Mushroom pins as protection against picking
- Cylinder core and cylinder housing with hard metal drilling protection
- Anti-snap feature, predefined breaking point
- Tested according to DIN EN 1303:2015-08, thereby fulfils DIN 18252:2018-05
- Lock cylinder with 5 reversible keys

## Technical data:

Material:	Brass, nickel-plated
Number of pins:	6 pins per side
Emergency function:	On both sides
Classification code: <b>DIN EN 1303:2015-08</b>	<b>1 6 0 B 0 C 5 B/D*</b>
Number of keys:	5 reversible keys
Key material:	Brass, nickel-plated
Fixing screw:	M5 x 80 mm (included in scope of supply)
Packing unit:	1 cylinder, 5 keys

\*The cylinder only achieves core pulling protection in combination with a certified security plate of Class ES2-ZA in accordance with DIN 18257 or of protective effect class SK 3 with cylinder cover in accordance with DIN EN 1906.



Product name	PU	Item no.
blaugelb Profile Double Cylinder PDZ Reversible Key 2EF 28/34 individually keyed	1 piece	9131917
blaugelb Profile Double Cylinder PDZ Reversible Key 2EF 28/39 individually keyed	1 piece	9131918
blaugelb Profile Double Cylinder PDZ Reversible Key 2EF 30/100 individually keyed	1 piece	9131919
blaugelb Profile Double Cylinder PDZ Reversible Key 2EF 30/110 individually keyed	1 piece	9131920
blaugelb Profile Double Cylinder PDZ Reversible Key 2EF 30/120 individually keyed	1 piece	9131921
blaugelb Profile Double Cylinder PDZ Reversible Key 2EF 30/30 individually keyed	1 piece	9131922
blaugelb Profile Double Cylinder PDZ Reversible Key 2EF 30/35 individually keyed	1 piece	9131923
blaugelb Profile Double Cylinder PDZ Reversible Key 2EF 30/40 individually keyed	1 piece	9131924
blaugelb Profile Double Cylinder PDZ Reversible Key 2EF 30/45 individually keyed	1 piece	9131925
blaugelb Profile Double Cylinder PDZ Reversible Key 2EF 30/50 individually keyed	1 piece	9131926
blaugelb Profile Double Cylinder PDZ Reversible Key 2EF 30/55 individually keyed	1 piece	9131927
blaugelb Profile Double Cylinder PDZ Reversible Key 2EF 30/60 individually keyed	1 piece	9131928
blaugelb Profile Double Cylinder PDZ Reversible Key 2EF 30/65 individually keyed	1 piece	9131929
blaugelb Profile Double Cylinder PDZ Reversible Key 2EF 30/70 individually keyed	1 piece	9131930
blaugelb Profile Double Cylinder PDZ Reversible Key 2EF 30/80 individually keyed	1 piece	9131931
blaugelb Profile Double Cylinder PDZ Reversible Key 2EF 30/90 individually keyed	1 piece	9131932

The information provided in this document corresponds to the information and technical details available to the best of our knowledge. However, this does not constitute a guarantee pursuant to section 443 of the German Civil Code (BGB). Our processing instructions are to be considered only as general guidelines and may differ in the individual case due to the range of possible uses and applications. They do not therefore automatically exempt the user from carrying out their own tests. We reserve the right to make technical modifications and enhancements at any time.

# blaugelb Profile Double Cylinder PDZ Reversible Key 2EF

The 6-pin profile double cylinder with reversible key, emergency function on both sides and increased anti-intruder protection.



Product name	PU	Item no.
blaugelb Profile Double Cylinder PDZ Reversible Key 2EF 35/35 individually keyed	1 piece	9131933
blaugelb Profile Double Cylinder PDZ Reversible Key 2EF 35/40 individually keyed	1 piece	9131934
blaugelb Profile Double Cylinder PDZ Reversible Key 2EF 35/45 individually keyed	1 piece	9131935
blaugelb Profile Double Cylinder PDZ Reversible Key 2EF 35/50 individually keyed	1 piece	9131936
blaugelb Profile Double Cylinder PDZ Reversible Key 2EF 35/55 individually keyed	1 piece	9131937
blaugelb Profile Double Cylinder PDZ Reversible Key 2EF 35/60 individually keyed	1 piece	9131938
blaugelb Profile Double Cylinder PDZ Reversible Key 2EF 35/65 individually keyed	1 piece	9131939
blaugelb Profile Double Cylinder PDZ Reversible Key 2EF 35/70 individually keyed	1 piece	9131940
blaugelb Profile Double Cylinder PDZ Reversible Key 2EF 35/75 individually keyed	1 piece	9131941
blaugelb Profile Double Cylinder PDZ Reversible Key 2EF 40/40 individually keyed	1 piece	9131942
blaugelb Profile Double Cylinder PDZ Reversible Key 2EF 40/45 individually keyed	1 piece	9131943
blaugelb Profile Double Cylinder PDZ Reversible Key 2EF 40/50 individually keyed	1 piece	9131944
blaugelb Profile Double Cylinder PDZ Reversible Key 2EF 40/55 individually keyed	1 piece	9131945
blaugelb Profile Double Cylinder PDZ Reversible Key 2EF 40/60 individually keyed	1 piece	9131946
blaugelb Profile Double Cylinder PDZ Reversible Key 2EF 40/65 individually keyed	1 piece	9131947
blaugelb Profile Double Cylinder PDZ Reversible Key 2EF 40/70 individually keyed	1 piece	9131948
blaugelb Profile Double Cylinder PDZ Reversible Key 2EF 40/90 individually keyed	1 piece	9131949
blaugelb Profile Double Cylinder PDZ Reversible Key 2EF 45/45 individually keyed	1 piece	9131950
blaugelb Profile Double Cylinder PDZ Reversible Key 2EF 45/50 individually keyed	1 piece	9131951
blaugelb Profile Double Cylinder PDZ Reversible Key 2EF 45/55 individually keyed	1 piece	9131952
blaugelb Profile Double Cylinder PDZ Reversible Key 2EF 45/60 individually keyed	1 piece	9131953
blaugelb Profile Double Cylinder PDZ Reversible Key 2EF 45/65 individually keyed	1 piece	9131954
blaugelb Profile Double Cylinder PDZ Reversible Key 2EF 45/70 individually keyed	1 piece	9131955
blaugelb Profile Double Cylinder PDZ Reversible Key 2EF 45/85 individually keyed	1 piece	9131956
blaugelb Profile Double Cylinder PDZ Reversible Key 2EF 45/95 individually keyed	1 piece	9131957
blaugelb Profile Double Cylinder PDZ Reversible Key 2EF 50/50 individually keyed	1 piece	9131958
blaugelb Profile Double Cylinder PDZ Reversible Key 2EF 50/55 individually keyed	1 piece	9131959
blaugelb Profile Double Cylinder PDZ Reversible Key 2EF 50/60 individually keyed	1 piece	9131960
blaugelb Profile Double Cylinder PDZ Reversible Key 2EF 50/65 individually keyed	1 piece	9131961
blaugelb Profile Double Cylinder PDZ Reversible Key 2EF 50/70 individually keyed	1 piece	9131962
blaugelb Profile Double Cylinder PDZ Reversible Key 2EF 50/75 individually keyed	1 piece	9131963
blaugelb Profile Double Cylinder PDZ Reversible Key 2EF 55/55 individually keyed	1 piece	9131964
blaugelb Profile Double Cylinder PDZ Reversible Key 2EF 55/60 individually keyed	1 piece	9131965

Product name	PU	Item no.
blaugelb Profile Double Cylinder PDZ Reversible Key 2EF 55/65 individually keyed	1 piece	9131966
blaugelb Profile Double Cylinder PDZ Reversible Key 2EF 55/70 individually keyed	1 piece	9131967
blaugelb Profile Double Cylinder PDZ Reversible Key 2EF 55/75 individually keyed	1 piece	9131968
blaugelb Profile Double Cylinder PDZ Reversible Key 2EF 60/60 individually keyed	1 piece	9131969
blaugelb Profile Double Cylinder PDZ Reversible Key 2EF 60/65 individually keyed	1 piece	9131970

The information provided in this document corresponds to the information and technical details available to the best of our knowledge. However, this does not constitute a guarantee pursuant to section 443 of the German Civil Code (BGB). Our processing instructions are to be considered only as general guidelines and may differ in the individual case due to the range of possible uses and applications. They do not therefore automatically exempt the user from carrying out their own tests. We reserve the right to make technical modifications and enhancements at any time.