

The sturdy, reliable and long-lasting component for your internal doors.



blaugelb Door Part FT20

The solution for rebated doors.

Product features:

The blaugelb Door Part FT20 is a 2-part hinge knuckle. It is nickel plated or made of stainless steel for a longer useful life and for better protection against the wear and tear of everyday use.

The conical taper makes it easier to screw the threaded pin in. The precision-rolled industrial thread also ensures stable mounting.

The blaugelb Door Part FT20 can be combined with the following blaugelb frame parts, making the door hinge maintenance free:

blaugelb Frame Part RT34 WF (for wooden frames)
 Item no. 0264495, 0264493, 0271402

blaugelb Frame Part RT81 WF
 Item no. 0278379, 0278380

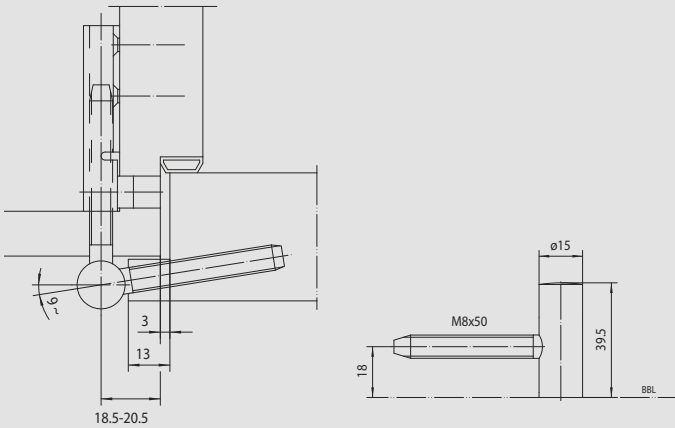
The blaugelb Door Part FT20 is suitable for rebated internal doors.

- Conical taper makes it easier to screw the threaded pin in
- Pin with precision-rolled industrial thread



Technical data:

Material:	Steel and stainless steel
Surface:	Nickel plated
Knuckle diameter:	15 mm
Roller length:	39.5 mm
Threaded pin length:	50 mm
DIN direction:	DIN right and left hand
Load capacity:	40 kg
Thread type:	M8, metric
Type of door leaf:	Wood
Rebate:	Rebated



Product name	PU	Item no.
blaugelb Door Part FT20 nickel plated	20 pieces	0264489
blaugelb Door Part FT20 nickel plated	200 pieces	0264484
blaugelb Door Part FT20 stainless steel	20 pieces	9071568