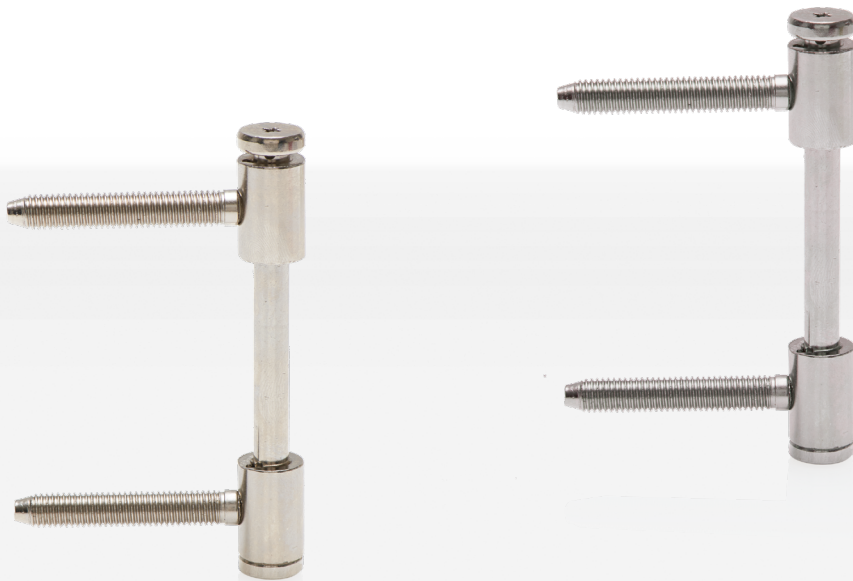


The sturdy, reliable and long-lasting component for your internal doors.



blaugelb Door Part FT26 WF

The solution for rebated doors.

- Conical taper makes it easier to screw the threaded pin in
- Pin with precision-rolled industrial thread
- Maintenance-free friction bearing technology
- Hinge pin with antitwist protection

Product features:

The blaugelb Door Part FT26 WF is a 3-part hinge knuckle. It is nickel plated or made of stainless steel for a longer useful life and for better protection against the wear and tear of everyday use.

The conical taper makes it easier to screw the threaded pin in. The precision-rolled industrial thread also ensures stable mounting.

The blaugelb Door Part FT26 WF features maintenance-free friction bearing technology and a hinge pin with antitwist protection.

The blaugelb Door Part FT26 WF can be combined with the following blaugelb frame parts:

blaugelb Frame Part RT44 WF (for wooden frames)

Item no. 0264497, 0264496, 0271403

blaugelb Frame Part RT80 WF

Item no. 0264499, 0264498, 0264480

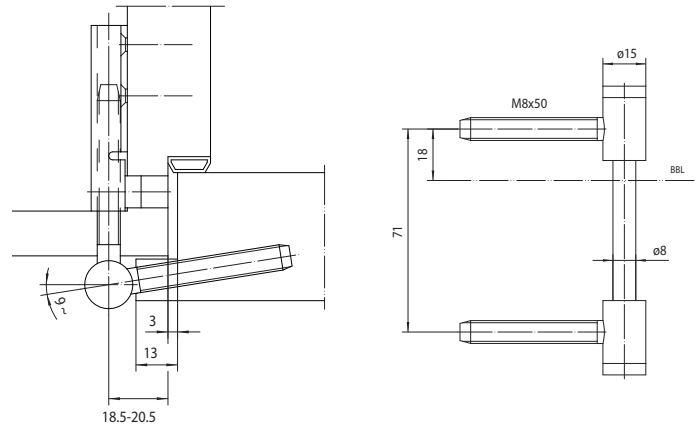
The blaugelb Door Part FT26 WF is suitable for rebated internal doors.

Product benefits:

- Conical taper makes it easier to screw the threaded pin in
- Pin with precision-rolled industrial thread
- Maintenance-free friction bearing technology
- Hinge pin with antitwist protection

Technical data:

Material:	Steel and stainless steel
Surface:	Nickel plated
Knuckle diameter:	15 mm
Hole spacing:	71 mm
Threaded pin length:	50 mm
DIN direction:	DIN right and left hand
Load capacity:	70 kg (with 2 hinges per wing 2x1 m)
Thread type:	M8, metric
Type of door leaf:	Wood
Rebate:	Rebated



Product name	PU	Item no.
blaugelb Door Part FT26 WF nickel plated	20 pieces	0264492
blaugelb Door Part FT26 WF nickel plated	100 pieces	0264490
blaugelb Door Part FT26 WF stainless steel	20 pieces	0264478