

The sturdy, reliable and long-lasting component
for your internal doors.



blaugelb Frame Part RT44 WF

The solution for rebated and unrebated doors with wooden frames.

- Conical taper makes it easier to insert the threaded pin
- Pin with precision-rolled industrial thread
- Maintenance-free friction bearing technology

Product features:

The blaugelb Frame Part RT44 WF is a 3-part hinge knuckle. It is nickel plated or made of stainless steel for a longer useful life and for better protection against the wear and tear of everyday use.

The blaugelb Frame Part RT44 WF can be combined with the following blaugelb door parts:

blaugelb Door Part FT26 WF
Item no. 0264492, 0264490, 0264478

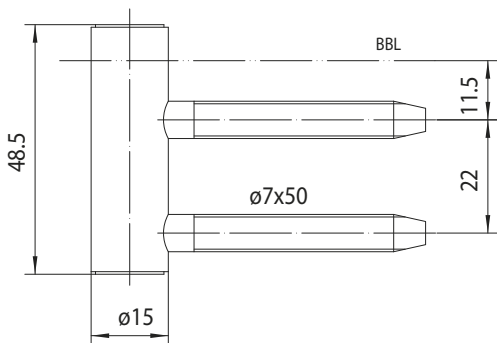
The blaugelb Frame Part RT44 WF is suitable for rebated and unrebated internal doors in wooden frames.

Product benefits:

- Conical taper makes it easier to insert the threaded pin
- Pin with precision-rolled industrial thread
- Maintenance-free friction bearing technology

Technical data:

Material:	Steel and stainless steel
Surface:	Nickel plated and fine matt
Knuckle diameter:	15 mm
Roller length:	48.5 mm
Hole spacing:	22 mm
Pin diameter:	8 mm
Threaded pin length:	50 mm
DIN direction:	DIN right and left hand
Load capacity:	40 kg
Thread type:	M7, metric
Rebate:	Rebated, rebated flush, unrebated
Type of frame:	Blind frame, block frame, casing frame



Product name	PU	Item no.
blaugelb Frame Part RT44 WF nickel plated	20 pieces	0264497
blaugelb Frame Part RT44 WF nickel plated	200 pieces	0264496
blaugelb Frame Part RT44 WF stainless steel	20 pieces	0271403