



**Product features:**

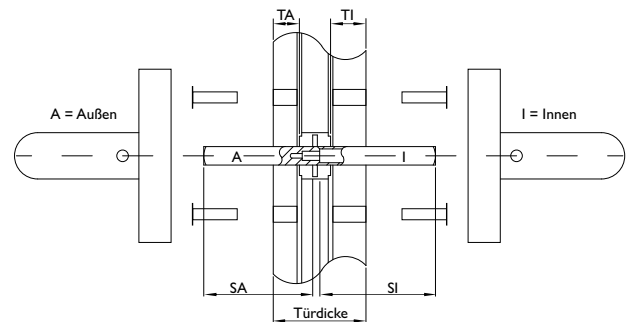
The blaugelb Anti-Panic Square Pin for locks with split 9 mm nut comprises an exterior part as a drilled hole pin with threaded sleeve. The interior part of the pin is equipped with a stepped threaded pin that passes through the divider of the split nut and is screwed into the threaded sleeve of the exterior part.

Both pins are available in different lengths for different door thicknesses. Please check the corresponding dimensions of the door before using the pins. Above all, before installing pins in the panic or fire-retardant door range, check whether all requirements are also coordinated with the necessary application.

**Note:**

According to DIN EN 179:2008, only completely approved lock systems are approved as a unit (lock, hardware, strike plate). Please note this before installation and especially in the event of separate delivery of the components. In the certificates of conformity no. 0432-EN 179-ift 230 8000244 (MPA NRW) and no. 1309-EN 179 0284 and 0287 (PIV Velbert), the certified closure manufacturers are specified which can be used with our tested handle models. Please request the certificate of constancy of performance EN 179:2008 from the closure manufacturer.

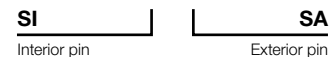
The blaugelb Anti-Panic Pin is to be selected in accordance with the schematic drawing so that it suits your door thickness or the door/lock combination.



Our blaugelb Anti-Panic Square Pins generally contain **two dimensions** in the name. The first of these is the interior dimension (**SI**) and the second is the exterior dimension (**SA**).

Example:

blaugelb Anti-Panic Square Pin 9 mm, 52/53.5 mm galv.



# blaugelb Anti-Panic Pins

Tested safety for our blaugelb Framed Door Handle Sets.



## Grub screw installation:

The Anti-Panic Square Pin is aligned during installation so that the grub screws included in the scope of delivery can be easily screwed in on the intended side. This is only possible on one of the four sides.

When looking at the cross section (see figure), this is the narrowest of the four sides, which can be easily identified thanks to the asymmetrical construction.

