

blaugelb Framed Door Handle Set 90° shape offset fire safety

Tested safety for fire, smoke and escape doors.

- **High-quality materials**
- **Fire safety set tested according to DIN 18273**
- **Maintenance-free plain bearing and holding spring for precise positioning**
- **Can be used on left or right**
- **Elegant appearance on the door**
- **Concealed screws**

blaugelb FDHS 90° shape offset fire safety

Tested safety for fire, smoke and escape doors.



Product features:

The blaugelb Framed Door Handle Set 90° shape offset FS on an oval rosette is suitable for fire, smoke and escape doors with increased safety requirements in terms of fire protection in accordance with DIN 18273 and has been tested accordingly. The set has maintenance-free plain bearings and the holding springs used guarantee exact positioning of the handle.

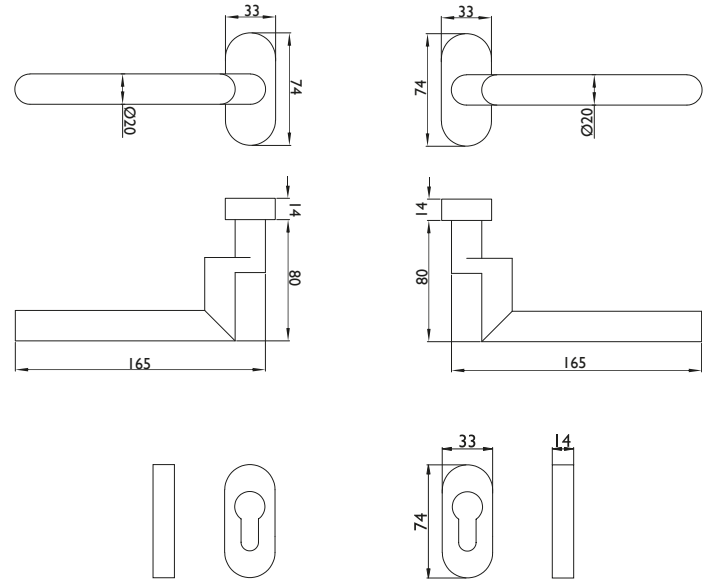
The attractive, elegant set made of high-quality stainless steel is secured by means of concealed screws. The provided fastening solution comprises blind rivet nuts and the associated metric screws that ensure secure seating on the door leaf.

Product benefits:

- High-quality materials
- Fire safety set tested according to DIN 18273
- Maintenance-free plain bearing and holding spring for precise positioning
- Can be used on left or right
- Elegant appearance on the door
- Concealed screws

Technical data:

Material:	Fine matt stainless steel
Handle mounting:	Fixed/pivoting, with holding spring, maintenance-free plain bearing
Handle square socket:	9 mm
DIN direction:	DIN left/right, can be used on both sides with double spring system
Suitability according to DIN 18273 (Fire and smoke protection):	FS
Suitability according to DIN EN 1634:	Yes
Suitability according to EN 179:	No
Suitability according to EN 1125:	No
Keyhole:	Profile cylinder
Door thickness:	74 – 90 mm
Rosette dimensions:	33 x 74 mm (W x H)
Rosette height:	14 mm
Fastening:	Concealed screws Contents of fastening set: 1 x square pin 9x140 mm 8 x screw M5x25 mm A2, TX25 8 x blind rivet nut flat head M5x13 mm
Hole diameter for blind rivet nuts:	7.1 mm
Packing unit:	1 set (including fastening)



Note:

Please note the included blaugelb installation instructions.

Product name	PU	Item no.
blaugelb Framed Door Handle Set 90° shape offset FS Fine matt stainless steel	1 piece	9131155