

Klasse 4
DIN EN
1906

blaugelb Framed Door Handle Set 45° U-shape Class 4

The attractive, elegant framed door handle set for aluminium and plastic doors.

- **High-quality materials**
- **Tested according to DIN EN 1906:2012**
- **Maintenance-free plain bearing and holding spring for precise positioning**
- **Can be used on left or right**
- **Elegant appearance on the door**
- **Concealed screws**

blaugelb FDHS 45° U-shape Class 4

The attractive, elegant framed door handle set for aluminium and plastic doors.



Product features:

The blaugelb Framed Door Handle Set 45° U-shape Cl. 4 on an oval rosette is suitable for aluminium doors (provided fastening) or also for plastic doors in the property sector in accordance with DIN EN 1906:2012 and has been tested. The set has maintenance-free plain bearings and the holding springs used guarantee exact positioning of the handle.

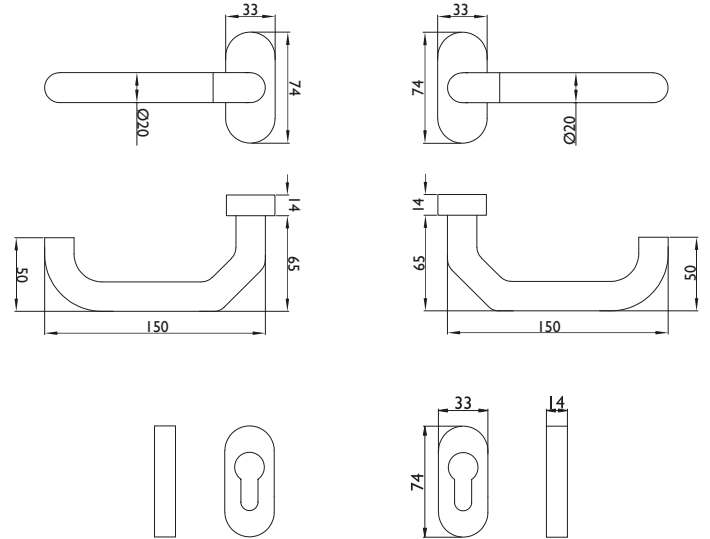
The attractive, elegant set made of high-quality stainless steel is secured by means of concealed screws. The provided fastening solution for aluminium doors comprises blind rivet nuts and the associated metric screws that ensure secure seating on the door leaf. The customer must use their own fastening solution when fastening on plastic doors.

Product benefits:

- High-quality materials
- Tested according to DIN EN 1906:2012
- Maintenance-free plain bearing and holding spring for precise positioning
- Can be used on left or right
- Elegant appearance on the door
- Concealed screws

Technical data:

Material:	Fine matt stainless steel
Handle mounting:	Fixed/pivoting, with holding spring, maintenance-free plain bearing
Handle square socket:	8 mm
DIN direction:	DIN left/right, can be used on both sides with double spring system
Classification code: DIN EN 1906: 2012	4 7 - B1 1 5 0 B
Keyhole:	Profile cylinder
Door thickness:	50 – 90 mm
Rosette dimensions:	33 x 74 mm (W x H)
Rosette height:	14 mm
Fastening:	Concealed screws Contents of fastening set: 1 x square pin 8x140 mm 8 x screw M5x25 mm A2, TX25 8 x blind rivet nut flat head M5x13 mm
Hole diameter for blind rivet nuts:	7.1 mm
Packing unit:	1 set (including fastening)



Note:

Please note the included blaugelb installation instructions.

Accessories:

Product name	PU	Item no.
blaugelb Handle Square Pin 8 x 120 mm TS 18 – 70 mm, offset 50 – 70 mm	1 piece	9272083
blaugelb Handle Square Pin 8 x 140 mm TS 38 – 90 mm, offset 70 – 90 mm	1 piece	9272084
blaugelb Handle Square Pin 8 x 150 mm TS 48 – 100 mm, offset 80 – 100 mm	1 piece	9272085
blaugelb Handle Square Pin 8 x 180 mm TS 78 – 130 mm, offset 110 – 130 mm	1 piece	9272086

Product name	PU	Item no.
blaugelb Framed Door Handle Set 45° U-shape Cl. 4 Fine matt stainless steel	1 piece	9131130