

## blaugelb Framed Door Knob/Handle Set 90° shape/knob, offset fire safety & anti-panic

Tested safety for fire, smoke and escape doors.

- High-quality materials
- Fire safety and anti-panic set tested in accordance with DIN 18273 and DIN EN 179
- Maintenance-free plain bearing and holding spring for precise positioning
- Can be used on left or right
- Elegant appearance on the door
- Concealed screws

# blaugelb FDKHS 90° shape/knob, offset fire safety & anti-panic

Tested safety for fire, smoke and escape doors.



## Product features:

The blaugelb Framed Door Knob/Handle Set 90° shape/knob offset on both sides FS on an oval rosette is suitable for escape doors in accordance with DIN EN 179 (emergency exit doors) and for fire and smoke doors with increased safety requirements in accordance with DIN 18273 and has been tested. The set has maintenance-free plain bearings and the holding springs used guarantee exact positioning of the handle.

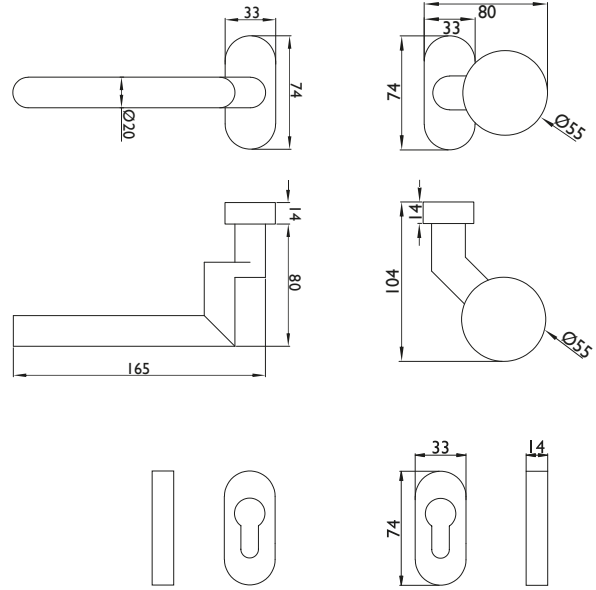
The attractive, elegant set made of high-quality stainless steel is secured by means of concealed screws. The provided fastening solution comprises blind rivet nuts and the associated metric screws that ensure secure seating on the door leaf.

## Product benefits:

- High-quality materials
- Fire safety and anti-panic set tested in accordance with DIN 18273 and DIN EN 179
- Maintenance-free plain bearing and holding spring for precise positioning
- Can be used on left or right
- Elegant appearance on the door
- Concealed screws

## Technical data:

|   |   |
|---|---|
| Material:   | Fine matt stainless steel   |
| Handle mounting:  | Fixed/pivoting, with holding spring, maintenance-free plain bearing   |
| Handle square socket:   | 9 mm  |
| DIN direction:  | DIN left/right, can be used on both sides with double spring system   |
| Suitability according to DIN 18273 (Fire and smoke protection): | FS  |
| Suitability according to DIN EN 1634:                           | Yes   |
| Suitability according to EN 179:                                | Yes   |
| Suitability according to EN 1125:                               | No  |
| Keyhole:  | Profile cylinder  |
| Door thickness:   | 80 – 88 mm  |
| Rosette dimensions:   | 33 x 74 mm (W x H)  |
| Rosette height:   | 14 mm   |
| Fastening:  | Concealed screws<br>Contents of fastening set:<br>1 x knob/handle spindle 9x110 mm<br>8 x screw M5x25 mm A2, TX25<br>8 x blind rivet nut flat head M5x13 mm |
| Hole diameter for blind rivet nuts:                             | 7.1 mm  |
| Packing unit:   | 1 set (including fastening)   |



## Note:

Please note the included blaugelb installation instructions.

## Accessories:

| Product name  | PU      | Item no. |
|---|---------|----------|
| blaugelb Knob/Lever Spindle with Thread FS 9 x 90 mm<br>TS 42 – 68 mm, offset 58 – 68 mm    | 1 piece | 9257257  |
| blaugelb Knob/Lever Spindle with Thread FS 9 x 100 mm<br>TS 52 – 78 mm, offset 68 – 78 mm   | 1 piece | 9257258  |
| blaugelb Knob/Lever Spindle with Thread FS 9 x 110 mm<br>TS 62 – 88 mm, offset 78 – 88 mm   | 1 piece | 9257259  |
| blaugelb Knob/Lever Spindle with Thread FS 9 x 120 mm<br>TS 72 – 98 mm, offset 88 – 98 mm   | 1 piece | 9257260  |
| blaugelb Knob/Lever Spindle with Thread FS 9 x 130 mm<br>TS 82 – 108 mm, offset 98 – 108 mm | 1 piece | 9257261  |

| Product name   | PU      | Item no. |
|--|---------|----------|
| blaugelb Framed Door Knob/Handle Set 90° shape/knob, offset FS & AP<br>Fine matt stainless steel | 1 piece | 9131157  |