

Klasse 4  
DIN EN  
1906

## blaugelb Framed Door Knob/Handle Set 90° shape/knob flat offset Class 4

The attractive, elegant framed door knob/handle set for aluminium and plastic doors.

- **High-quality materials**
- **Tested according to DIN EN 1906:2012**
- **Maintenance-free plain bearing and holding spring for precise positioning**
- **Can be used on left or right**
- **Elegant appearance on the door**
- **Concealed screws**

# blaugelb FDKHS 90° shape/knob flat offset Class 4

The attractive, elegant framed door knob/handle set for aluminium and plastic doors.



## Product features:

The blaugelb Framed Door Knob/Handle Set 90° shape/knob flat offset Cl. 4 on an oval rosette is suitable for aluminium doors (provided fastening) or also for plastic doors in the property sector in accordance with DIN EN 1906:2012 and has been tested. The set has maintenance-free plain bearings and the holding springs used guarantee exact positioning of the handle.

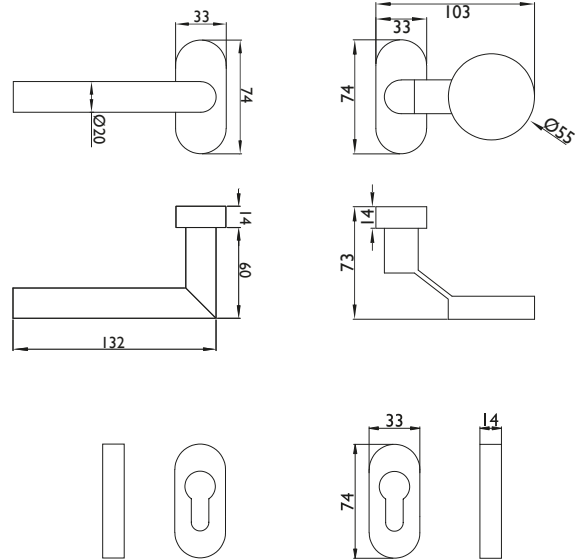
The attractive, elegant set made of high-quality stainless steel is secured by means of concealed screws. The provided fastening solution for aluminium doors comprises blind rivet nuts and the associated metric screws that ensure secure seating on the door leaf. The customer must use their own fastening solution when fastening on plastic doors.

## Product benefits:

- High-quality materials
- Tested according to DIN EN 1906:2012
- Maintenance-free plain bearing and holding spring for precise positioning
- Can be used on left or right
- Elegant appearance on the door
- Concealed screws

## Technical data:

|  |   |
|--|---|
| Material:  | Fine matt stainless steel   |
| Handle mounting:                                 | Fixed/pivoting, with holding spring, maintenance-free plain bearing   |
| Handle square socket:                            | 8 mm  |
| DIN direction:                                   | DIN left/right, can be used on both sides with double spring system   |
| Classification code:<br><b>DIN EN 1906: 2012</b> | <b>4   7   -   B1   1   5   0   B</b>   |
| Keyhole:   | Profile cylinder  |
| Door thickness:                                  | 65 – 88 mm  |
| Rosette dimensions:                              | 33 x 74 mm (W x H)  |
| Rosette height:                                  | 14 mm   |
| Fastening:                                       | Concealed screws<br>Contents of fastening set:<br>1 x knob/handle spindle 8x110 mm<br>8 x screw M5x25 mm A2, TX25<br>8 x blind rivet nut flat head M5x13 mm |
| Hole diameter for blind rivet nuts:              | 7.1 mm  |
| Packing unit:                                    | 1 set (including fastening)   |



## Note:

Please note the included blaugelb installation instructions.

## Accessories:

| Product name  | PU      | Item no. |
|---|---------|----------|
| blaugelb Knob/Lever Spindle with Thread 8 x 80 mm<br>TS 32 – 58 mm, offset 48 – 58 mm     | 1 piece | 9257231  |
| blaugelb Knob/Lever Spindle with Thread 8 x 100 mm<br>TS 52 – 78 mm, offset 68 – 78 mm    | 1 piece | 9257232  |
| blaugelb Knob/Lever Spindle with Thread 8 x 110 mm<br>TS 62 – 88 mm, offset 78 – 88 mm    | 1 piece | 9257233  |
| blaugelb Knob/Lever Spindle with Thread 8 x 120 mm<br>TS 72 – 98 mm, offset 88 – 98 mm    | 1 piece | 9257254  |
| blaugelb Knob/Lever Spindle with Thread 8 x 140 mm<br>TS 92 – 118 mm, offset 108 – 118 mm | 1 piece | 9257255  |

| Product name   | PU      | Item no. |
|--|---------|----------|
| blaugelb Framed Door Knob/Handle Set 90° shape/knob flat offset Cl. 4<br>Fine matt stainless steel | 1 piece | 9131123  |