

blaugelb Framed Door Knob/Handle Set 90° U-shape/knob, offset fire safety & anti-panic

Tested safety for fire, smoke and escape doors.

- **High-quality materials**
- **Fire safety and anti-panic set tested in accordance with DIN 18273 and DIN EN 179**
- **Maintenance-free plain bearing and holding spring for precise positioning**
- **Can be used on left or right**
- **Elegant appearance on the door**
- **Concealed screws**

blaugelb FDKHS 90° U-shape/knob, offset fire safety & anti-panic

Tested safety for fire, smoke and escape doors.



Product features:

The blaugelb Framed Door Knob/Handle Set 90° U-shape/knob offset on both sides FS & AP on an oval rosette is suitable for escape doors in accordance with DIN EN 179 (emergency exit doors) and for fire and smoke doors with increased safety requirements in accordance with DIN 18273 and has been tested. The set has maintenance-free plain bearings and the holding springs used guarantee exact positioning of the handle.

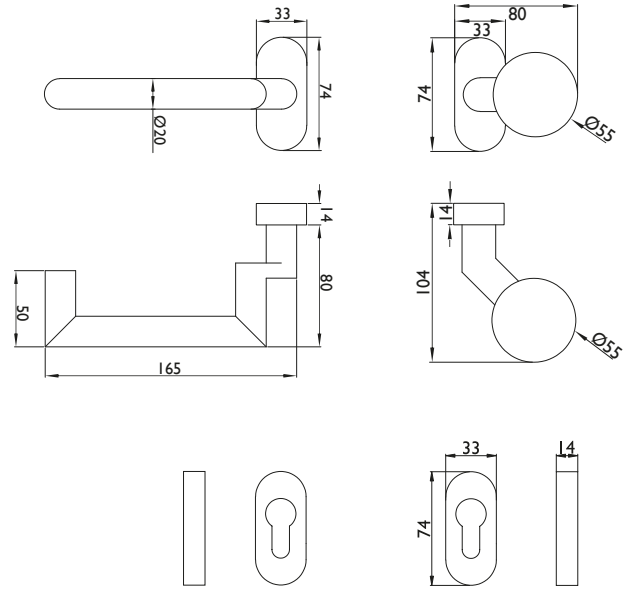
The attractive, elegant set made of high-quality stainless steel is secured by means of concealed screws. The provided fastening solution comprises blind rivet nuts and the associated metric screws that ensure secure seating on the door leaf.

Product benefits:

- High-quality materials
- Fire safety and anti-panic set tested in accordance with DIN 18273 and DIN EN 179
- Maintenance-free plain bearing and holding spring for precise positioning
- Can be used on left or right
- Elegant appearance on the door
- Concealed screws

Technical data:

Material:	Fine matt stainless steel
Handle mounting:	Fixed/pivoting, with holding spring, maintenance-free plain bearing
Handle square socket:	9 mm
DIN direction:	DIN left/right, can be used on both sides with double spring system
Suitability according to DIN 18273 (Fire and smoke protection):	FS
Suitability according to DIN EN 1634:	Yes
Suitability according to EN 179:	Yes
Suitability according to EN 1125:	No
Keyhole:	Profile cylinder
Door thickness:	80 – 88 mm
Rosette dimensions:	33 x 74 mm (W x H)
Rosette height:	14 mm
Fastening:	Concealed screws Contents of fastening set: 1 x knob/handle spindle 9x110 mm 8 x screw M5x25 mm A2, TX25 8 x blind rivet nut flat head M5x13 mm
Hole diameter for blind rivet nuts:	7.1 mm
Packing unit:	1 set (including fastening)



Note:

Please note the included blaugelb installation instructions.

Accessories:

Product name	PU	Item no.
blaugelb Knob/Lever Spindle with Thread FS 9 x 90 mm TS 42 – 68 mm, offset 58 – 68 mm	1 piece	9257257
blaugelb Knob/Lever Spindle with Thread FS 9 x 100 mm TS 52 – 78 mm, offset 68 – 78 mm	1 piece	9257258
blaugelb Knob/Lever Spindle with Thread FS 9 x 110 mm TS 62 – 88 mm, offset 78 – 88 mm	1 piece	9257259
blaugelb Knob/Lever Spindle with Thread FS 9 x 120 mm TS 72 – 98 mm, offset 88 – 98 mm	1 piece	9257260
blaugelb Knob/Lever Spindle with Thread FS 9 x 130 mm TS 82 – 108 mm, offset 98 – 108 mm	1 piece	9257261

Product name	PU	Item no.
blaugelb Framed Door Knob/Handle Set 90° U-shape/knob, offset FS & AP Fine matt stainless steel	1 piece	9131191