

Klasse 4  
DIN EN  
1906

## blaugelb Framed Door Knob/Handle Set U-shape/knob flat offset Class 4

The attractive, elegant framed door knob/handle set for aluminium and plastic doors.

- **High-quality materials**
- **Tested according to DIN EN 1906:2012**
- **Maintenance-free plain bearing and holding spring for precise positioning**
- **Can be used on left or right**
- **Elegant appearance on the door**
- **Concealed screws**

# blaugelb FDKHS U-shape/knob flat offset Class 4

The attractive, elegant framed door knob/handle set for aluminium and plastic doors.



## Product features:

The blaugelb Framed Door Knob/Handle Set U-shape/knob flat offset Cl. 4 on an oval rosette is suitable for aluminium doors (provided fastening) or also for plastic doors in the property sector in accordance with DIN EN 1906:2012 and has been tested. The set has maintenance-free plain bearings and the holding springs used guarantee exact positioning of the handle.

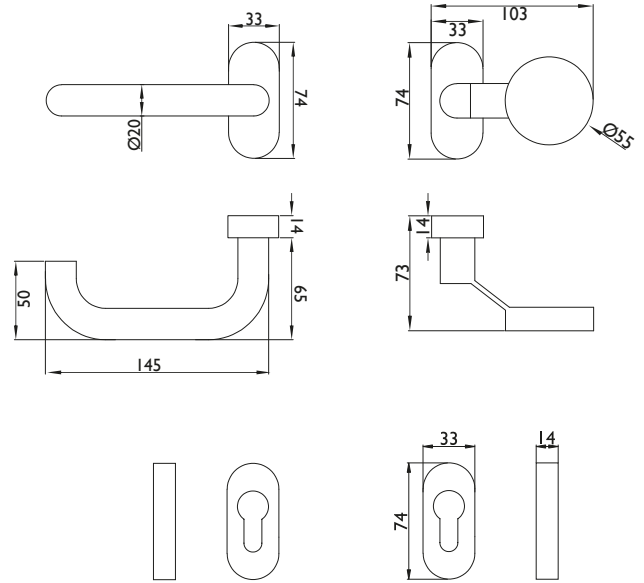
The attractive, elegant set made of high-quality stainless steel is secured by means of concealed screws. The provided fastening solution for aluminium doors comprises blind rivet nuts and the associated metric screws that ensure secure seating on the door leaf. The customer must use their own fastening solution when fastening on plastic doors.

## Product benefits:

- High-quality materials
- Tested according to DIN EN 1906:2012
- Maintenance-free plain bearing and holding spring for precise positioning
- Can be used on left or right
- Elegant appearance on the door
- Concealed screws

## Technical data:

Material:	Fine matt stainless steel
Handle mounting:	Fixed/pivoting, with holding spring, maintenance-free plain bearing
Handle square socket:	8 mm
DIN direction:	DIN left/right – can be used on both sides with double spring system
Classification code: <b>DIN EN 1906: 2012</b>	<b>4   7   -   B1   1   5   0   B</b>
Keyhole:	Profile cylinder
Door thickness:	65 – 88 mm
Rosette dimensions:	33 x 74 mm (W x H)
Rosette height:	14 mm
Fastening:	Concealed screws Contents of fastening set: 1 x knob/handle spindle 8x110 mm 8 x screw M5x25 mm A2, TX25 8 x blind rivet nut flat head M5x13 mm
Hole diameter for blind rivet nuts:	7.1 mm
Packing unit:	1 set (including fastening)



## Note:

Please note the included blaugelb installation instructions.

## Accessories:

Product name	PU	Item no.
blaugelb Knob/Lever Spindle with Thread 8 x 80 mm TS 32 – 58 mm, offset 48 – 58 mm	1 piece	9257231
blaugelb Knob/Lever Spindle with Thread 8 x 100 mm TS 52 – 78 mm, offset 68 – 78 mm	1 piece	9257232
blaugelb Knob/Lever Spindle with Thread 8 x 110 mm TS 62 – 88 mm, offset 78 – 88 mm	1 piece	9257233
blaugelb Knob/Lever Spindle with Thread 8 x 120 mm TS 72 – 98 mm, offset 88 – 98 mm	1 piece	9257254
blaugelb Knob/Lever Spindle with Thread 8 x 140 mm TS 92 – 118 mm, offset 108 – 118 mm	1 piece	9257255

Product name	PU	Item no.
blaugelb Framed Door Knob/Handle Set U-shape/knob flat offset Cl. 4 Fine matt stainless steel	1 piece	9131093