

The blaugelb Door Stopper protects walls and furnishings against damage.



## blaugelb Door Stopper 67 x 21 mm

The elegantly designed door stopper for floor mounting.

- Elegant solution for floor mounting
- High-grade materials for durability
- Maximum protection for doors
- Noise control for buildings

# blaugelb Door Stopper 67 x 21 mm

The elegantly designed door stopper for floor mounting.



## Product features:

The blaugelb Door Stopper 67 x 21 mm made from high-grade fine matt stainless steel (1.4301 X5Cr Ni18-10) is notable for its elegant shape and impressively strong design. If a separately available, optional support plate is used, correspondingly longer screws must be used (not included in the scope of supply). The stopper element is made from black plastic. The practical, self-adhesive drilling gauge makes it easy and reliable to transfer the hole spacings.

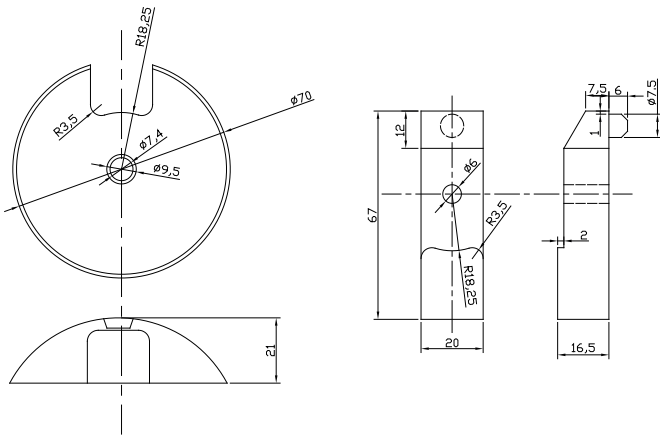
## Product benefits:

- Elegant solution for floor mounting
- High-grade materials for durability
- Maximum protection for doors
- Noise control for buildings

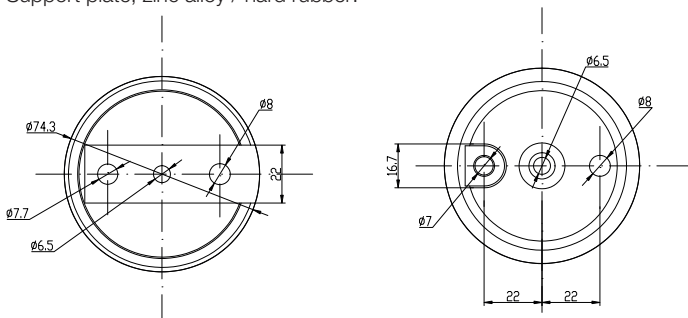
## Technical data:

Material:	Stainless steel 1.4301 X5CrNi18-10
Surface:	Fine matt
Diameter:	67 mm
Height:	21 mm
Fastening:	Screw (stainless steel) 5x50 mm with plug
Drilling gauge:	Self-adhesive
Packing unit:	8 pieces

Product name	PU	Item no.
blaugelb Door Stopper 67 x 21 mm fine matt stainless steel	8 pieces	0340147
blaugelb zinc alloy support plate	5 pieces	0407457
blaugelb support plate, hard rubber	8 pieces	0403135



Support plate, zinc alloy / hard rubber:



The information provided in this document corresponds to the information and technical details available to the best of our knowledge. However, this does not constitute a guarantee pursuant to section 443 of the German Civil Code (BGB). Our processing instructions are to be considered only as general guidelines and may differ in the individual case due to the range of possible uses and applications. They do not therefore automatically exempt the user from carrying out their own tests. We reserve the right to make technical modifications and enhancements at any time.