



Pressure-resistant, stable basis beneath the exterior window sill prevents cavities.



blaugelb Insulation Sill Profile

For efficient sound deadening of the external window sill.

Product features:

The blaugelb Insulation Sill Profile is used to form a 5° incline in the parapet area, so the optimum angle (approx. 5° incline) is automatically maintained when fitting the external window sill. The use of the blaugelb Insulation Sill Profile creates a direct connection with the external window sill – there is no cavity between the window sill and the building structure. This ensures efficient sound deadening of the exterior window sill and the use of an additional sound deadening strip is no longer necessary.

The blaugelb Insulation Sill Profile with recess already has a matching contour for quick, exact and form-fitting attachment to the external window sill in the area of the window sill end caps and the butt connectors. The blaugelb Insulation Sill Profile without recess is suitable for filling in the areas without window sill end caps or butt connectors.

- Water-repellent EPS, with appropriate incline for aluminium and stone exterior window sills
- 100 % recyclable, 100 % free of HCFCs, HFCs and HBCDs
- Cradle to Cradle Certified® at the Silver level
- Sound deadening strips no longer needed
- Low weight and compatible with all ETICS systems made from EPS
- Problem-free sealing beneath the window sill

Continued on
the next page ►

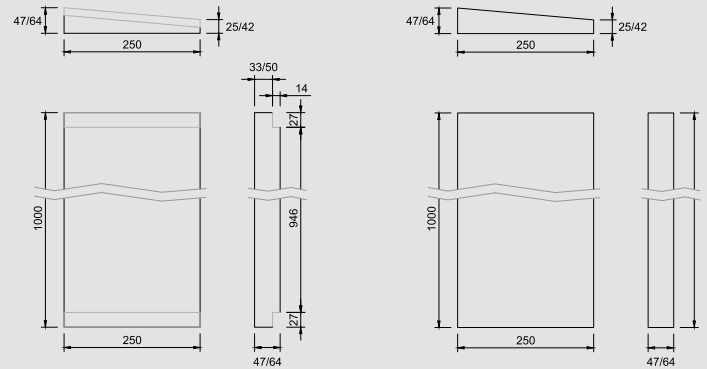


Applications:

- Pressure-resistant base for window sills made from aluminium in ETICS systems
- Sound deadening of the exterior window sill

Product benefits:

- Water-repellent EPS, with appropriate incline for aluminium and stone exterior window sills
- 100 % recyclable
- 100 % HCFC, HFC and HBCD-free
- Enables sustainable construction thanks to reversibility of window sealing and fastening when renovating
- Low weight and compatible with all ETICS systems made from EPS
- Easy to cut to the right length on site
- Sound deadening strips no longer needed
- Insensitive to moisture
- Can be cut to shape precisely and with minimal dust
- Quick to process using a ready-made blaugelb Insulation Sill Profile with defined incline
- With the existing recesses, an exact and form-fitting attachment to the external window sill is possible in the area of the window sill end caps or the butt connectors
- Thermally insulated, resistant to ageing
- Stable dimensions and volume
- Cradle to Cradle Certified® at the Silver level
- Tested to be extremely low in emissions according to EMICODE EC 1 Plus



Mounting instructions:

The connection between the blaugelb Insulation Sill Profile and the blaugelb Sill Connection Profile is made by applying two strands of the blaugelb Hybrid Polymer Power Fix on the side facing the sill connection profile. Apply thin strands of blaugelb Hybrid Polymer Power Fix in the direction of the inclination on the angled side of the blaugelb Insulation Sill Profile. In each case start at the right and left on the profile ends. All additional threads are to be applied at a maximum distance of 30 mm.

Delivery and storage form:

Store in its original packaging and dry.

Disposal:

According to Waste Catalogue Ordinance:
Code no. 170604 (single-grade insulating material EPS)
Code no. 170904 (mixed construction waste)

Safety note:

According to the available specifications and guidelines, the product is not a hazardous substance.

Technical data:

Material:	Water-repellent EPS
Colour:	Grey
Fire behaviour: DIN EN 13501-1	Class E
Thermal conductivity rated value λ_{10} : DIN EN 12667	0.031 W/m ² K
Water vapour diffusion resistance: DIN EN ISO 12572	60 μ
Compression stress (10 %) compression: DIN EN 13163:2015-04	≥ 200 kPa
Compression stress (2 %) compression: DIN EN 13163:2015-04	≥ 100 kPa
Dimensional strength: DIN ISO 75-1	Short-term up to +95 °C Long-term up to +85 °C
Water absorption after 28 days under water: DIN 12087	≤ 1.5 vol. %
Compatibility with conventional building materials:	Compatible, except for solvents, solvent-bearing materials and materials that are not polystyrene-compatible
Ageing resistance:	Mould-proof, does not rot
Waste code:	Code no. 170604 Code no. 170904

Product name	PU	Item no.
blaugelb Insulation Sill Profile 25-47x250x1000 mm	15 pieces	9073204
blaugelb Insulation Sill Profile 42-64x250x1000 mm	15 pieces	0427696
blaugelb Insulation Sill Profile 25-47x250x1000 mm with recess	15 pieces	9190741
blaugelb Insulation Sill Profile 42-64x250x1000 mm with recess	15 pieces	9190740